

SHIBAURA TRACTOR

MODEL

SD4300 .4340
SD4500 .4540
SD5000T.5040T

PARTS LIST

SEPTEMBER, 1984



ISHIKAWAJIMA-SHIBAURA MACHINERY CO.,LTD.

BINDER NO.

ISP3002

PARTS LIST CODE NO.

300830271

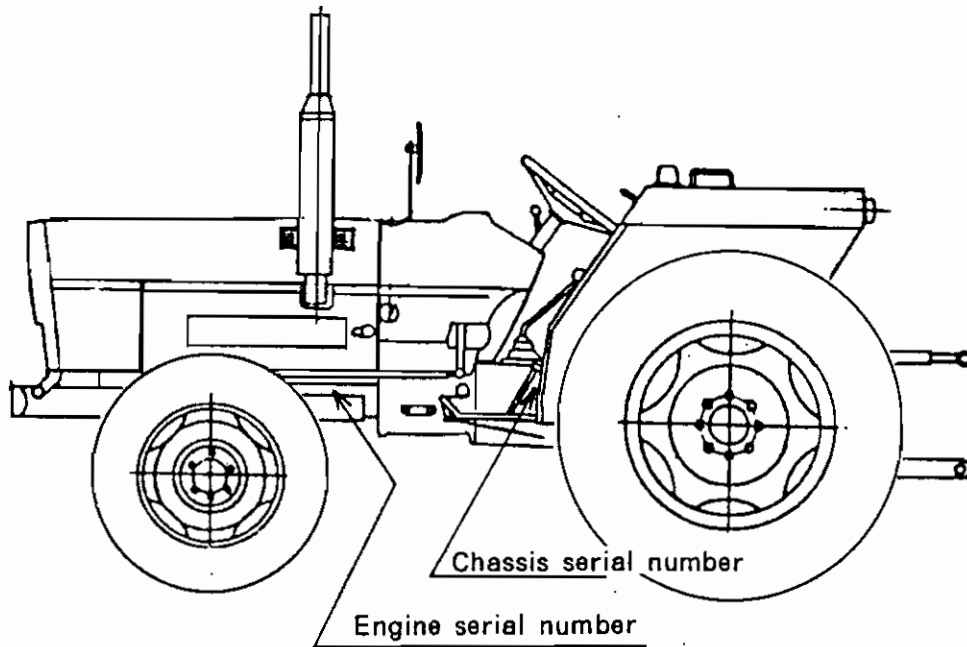
Information

1. Applicable engine model name

Tractor model	Engine model
SD4300	LEP854A
SD4340	LEP854A
SD4500	T854B
SD4540	T854B
SD5000T.....	LEP854A (WITH TURBO CHARGER)
SD5040T.....	LEP854A (WITH TURBO CHARGER)

2. Please confirm both engine serial number (abbreviation;EN) and chassis serial number, when you place a spare parts order.

Each number is stamped at the following location.



3. The serial numbers on the upper right-hand side of each page are applicable to all the parts shown on its page and the serial number of (a) (b) ...in column remarks should be applied to each part number only.

25A パワーステアリング SD4540 10121~	
POWER STEERING SD5040T 50152~	
見出番号 コード番号 部品名称 数量 注文 備考	
REF No. CODE No. PART NAME Qty Min REMARKS	
(a) SD4540 ~10286	(b) SD4540 10286~
SD5040T ~50541	SD5040T 50542~

4. L.H.or R.H.on a part name is indicated when a driver take a seat.

BINDER NO.
ISP3002

SUPPLEMENT NO.	
----------------	--



CONTENTS

ENGINE

01.	AIR CLEANER	1 — 1
02.	BATTERY	1 — 3
03.	RADIATOR, RESERVE TANK (43PS, 45PS)	1 — 5
04.	RADIATOR, RESERVE TANK (50PS)	1 — 9
05.	CYLINDER BLOCK	1 — 11
06.	CYLINDER HEAD	1 — 17
07.	TURBO CHARGER	1 — 23
08.	CRANKSHAFT, PISTON	1 — 27
09.	BALANCER	1 — 33
10.	CAMSHAFT, WATER PUMP	1 — 35
11.	OIL PUMP	1 — 37
12.	INJECTION PIPE, PUMP, GEAR	1 — 39
13.	TIMING GEAR CASE	1 — 43
13A.	TIMING GEAR CASE	1 — 45
14A.	INJECTION PUMP (45PS)	1 — 49
14B.	INJECTION PUMP (43PS, 50PS)	1 — 53
15.	INJECTOR	1 — 59
16.	STARTING MOTOR	1 — 61
17.	ALTERNATOR	1 — 63
18.	TURBO CHARGER	1 — 65
19.	MUFFLER	1 — 67
19A.	MUFFLER	1 — 69



CHASSIS, BODY

20.	FRONT MASK	1 — 71
21.	BONNET	1 — 75
22.	BATTERY STAND	1 — 77
23.	STEERING; MANUAL	1 — 81
24.	PITMAN ARM; MANUAL	1 — 83
25.	POWER STEERING	1 — 85
25A.	POWER STEERING	1 — 91
26.	PITMAN ARM; POWER STEERING	1 — 95
27.	POWER STEERING PIPING	1 — 97
27A.	POWER STEERING PIPING	1 — 99
28.	FRONT AXLE; 2 WD MANUAL	1 —103
29.	FRONT AXLE; 2 WD POWER STEERING	1 —107
30.	FRONT AXLE; 4 WD	1 —111
30A.	FRONT AXLE; 4 WD	1 —117
31.	FRONT DIFFERENTIAL	1 —123
31A.	FRONT DIFFERENTIAL	1 —127
32.	CLUTCH CASE, CLUTCH	1 —131
33.	CLUTCH; DUAL	1 —135
34.	MISSION CASE, CHANGE LEVERS	1 —137
34A.	MISSION CASE, CHANGE LEVERS	1 —141
35.	SYNCHRONIZED MISSION CASE, CHANGE LEVERS	1 —145
36.	TRANSMISSION GEARS; DUAL CLUTCH	1 —149



36A.	TRANSMISSION GEARS; DUAL CLUTCH	1—153
37.	SYNCHRONIZED TRANSMISSION GEARS; DUAL CLUTCH	1—157
38.	TRANSMISSION CASE; DIFFERENTIAL	1—161
39.	TRANSMISSION GEARS; 2 WD	1—165
40.	CREEP TRANSMISSION GEARS; 2 WD	1—167
41.	TRANSMISSION GEARS; 4 WD	1—171
42.	TRANSMISSION GEARS; 4 WD & CREEP SPEED	1—175
42A.	TRANSMISSION GEARS; 4 WD & CREEP SPEED	1—179
43.	TRANSMISSION; P.T.O	1—183
44.	DIFF LOCK SWITCH P.T.O SHIFT	1—189
45.	DIFFERENTIAL	1—191
46.	BRAKE, WHEEL SHAFT CASE	1—195
46A.	BRAKE, WHEEL SHAFT CASE	1—201
47.	CYLINDER CASE, MECHANICAL DRAFT	1—205
48.	CYLINDER HEAD	1—211
49.	HYDRAULIC CONTROL; MECHANICAL DRAFT	1—213
50.	MECHANICAL DRAFT VALVE	1—219
51.	HYDRAULIC PUMP, STRAINER	1—223
51A.	HYDRAULIC PUMP, STRAINER	1—227
52.	PEDALS, STEPS	1—231
52A.	PEDALS, STEPS	1—237
53.	PLATE, LEGULATOR	1—243
54.	FUEL TANK	1—245



55.	FUEL SYSTEM.....	1 —249
56.	DASH BOARD PANEL.....	1 —251
57.	DASH BOARD WITH QUICK STARTER	1 —255
58.	COMBINATION METER.....	1 —259
59.	ACCEL	1 —261
60.	FENDERS, SEAT.....	1 —263
61.	SEAT PANEL	1 —267
61A.	SEAT PANEL.....	1 —271
62.	FLASHER LAMP, WORK LAMP.....	1 —273
63.	FRONT WHEELS, REAR WHEELS.....	1 —275
63A.	FRONT WHEELS, REAR WHEELS.....	1 —278
64.	WIRING	1 —279
65.	NAME PLATE	1 —281
65A.	NAME PLATE	1 —285
66.	THREE POINTS LINKAGE	1 —289
67.	TRAILER HITCH; SWING SLIDE TYPE.....	1 —293
68.	THREE POINTS LINKAGE; OPTION.....	1 —295
69.	WEIGHT; OPTION.....	1 —299
70.	TOOLS, ACCESSORIES	1 —303
71.	SAFTY FRAME	1 —305
71A.	SAFTY FRAME.....	1 —307
72.	AUXILIARY VALVE; 1 —PIECE	1 —309
73.	AUXILIARY VALVE; 2 —PIECES	1 —311



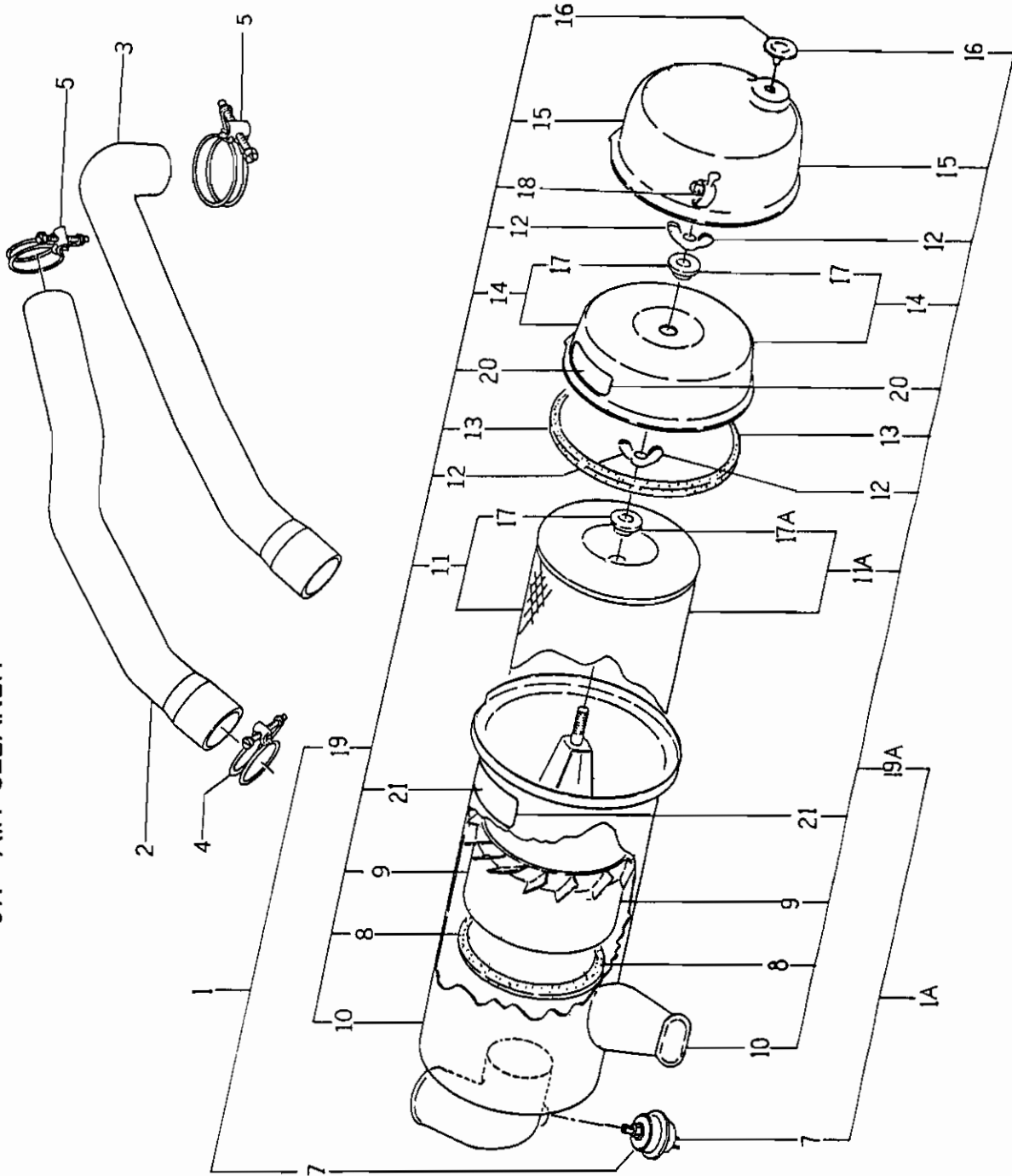
74.	VALVE ASS'Y; SINGLE AND DOUBLE	1—313
75.	FOR UGANDA	1—315
76.	FOR CENTRAL AND SOUTH AMERICA	1—319
77.	CODE NO. INDEX	1—323

BINDER NO.
ISP3002

SUPPLEMENT NO.	No 7 - AUGUST, 1986
----------------	---------------------



01. AIR CLEANER



バインダー BINDER NO.	NO.
ISP3002	

(1-1)

改訂番号 SUPPLEMENT NO.	年月 No. 9 - AUGUST, 1987
------------------------	----------------------------



01. AIR CLEANER

管理コード

REF.NO.	CODE NO.	PART	NAME	Qty												REMARKS	
				S	D	S	D	S	D	S	D	S	D	S	D		
1	31450 0280	AIR CLEANER ASS'Y		1	1	1	1	1	1	1	1	1	1	1	1	1	(a)
1A	31450 0281	AIR CLEANER ASS'Y		1	1	1	1	1	1	1	1	1	1	1	1	1	(b)
2	31454 0250	AIR CLEANER HOSE		1	1	1	1	1	1	1	1	1	1	1	1	1	
3	31454 0290	AIR CLEANER HOSE		1	1	1	1	1	1	1	1	1	1	1	1	1	
4	19875 6060	HOSE BAND		1	1	1	1	1	1	1	1	1	1	1	1	1	φ70
4	06710 0070	HOSE BAND		1	1	1	1	1	1	1	1	1	1	1	1	1	
5	39875 0100	HOSE BAND		1	1	1	1	1	1	1	1	1	1	1	1	1	φ65
5	06710 0065	HOSE BAND		1	1	1	1	1	1	1	1	1	1	1	1	1	
7	38520 0570	SWITCH ASS'Y		1	1	1	1	1	1	1	1	1	1	1	1	1	
8	31453 1023	GASKET		1	1	1	1	1	1	1	1	1	1	1	1	1	
9	31453 1024	WING		1	1	1	1	1	1	1	1	1	1	1	1	1	
10	31453 1025	CAP ASS'Y		1	1	1	1	1	1	1	1	1	1	1	1	1	
11	31453 1022	ELEMENT ASS'Y		1	1	1	1	1	1	1	1	1	1	1	1	1	(a)
11A	31453 1129	ELEMENT ASS'Y		1	1	1	1	1	1	1	1	1	1	1	1	1	(b)
12	02410 0008	WING NUT		2	2	2	2	2	2	2	2	2	2	2	2	2	
13	31453 1027	GASKET		1	1	1	1	1	1	1	1	1	1	1	1	1	
14	31453 1028	CUP		1	1	1	1	1	1	1	1	1	1	1	1	1	
15	31453 1029	CASE ASS'Y		1	1	1	1	1	1	1	1	1	1	1	1	1	
16	31453 1026	RUBBER		1	1	1	1	1	1	1	1	1	1	1	1	1	
17	31453 1041	SEAL WASHER		2/1	2/1	2/1	2/1	2/1	2/1	2/1	2/1	2/1	2/1	2/1	2/1	2/1	(a)/(b)
17A	31453 1125	SEAL WASHER		1	1	1	1	1	1	1	1	1	1	1	1	1	(b)
18	31453 1100	CLAMP		2	2	2	2	2	2	2	2	2	2	2	2	2	
19	31450 0290	AIR CLEANER ASS'Y		1	1	1	1	1	1	1	1	1	1	1	1	1	(a)
19A	31450 0291	AIR CLEANER ASS'Y		1	1	1	1	1	1	1	1	1	1	1	1	1	(b)
20	31453 1030	CAUTION PLATE		1	1	1	1	1	1	1	1	1	1	1	1	1	
21	31453 1031	CAUTION PLATE		1	1	1	1	1	1	1	1	1	1	1	1	1	

(a) { SD4500 • 4540 ~10120 (b) { SD4500 • 4540 10121
 SD5000T • 5040T SD5000T • 5040T 50638

BINDER NO.
ISP3002

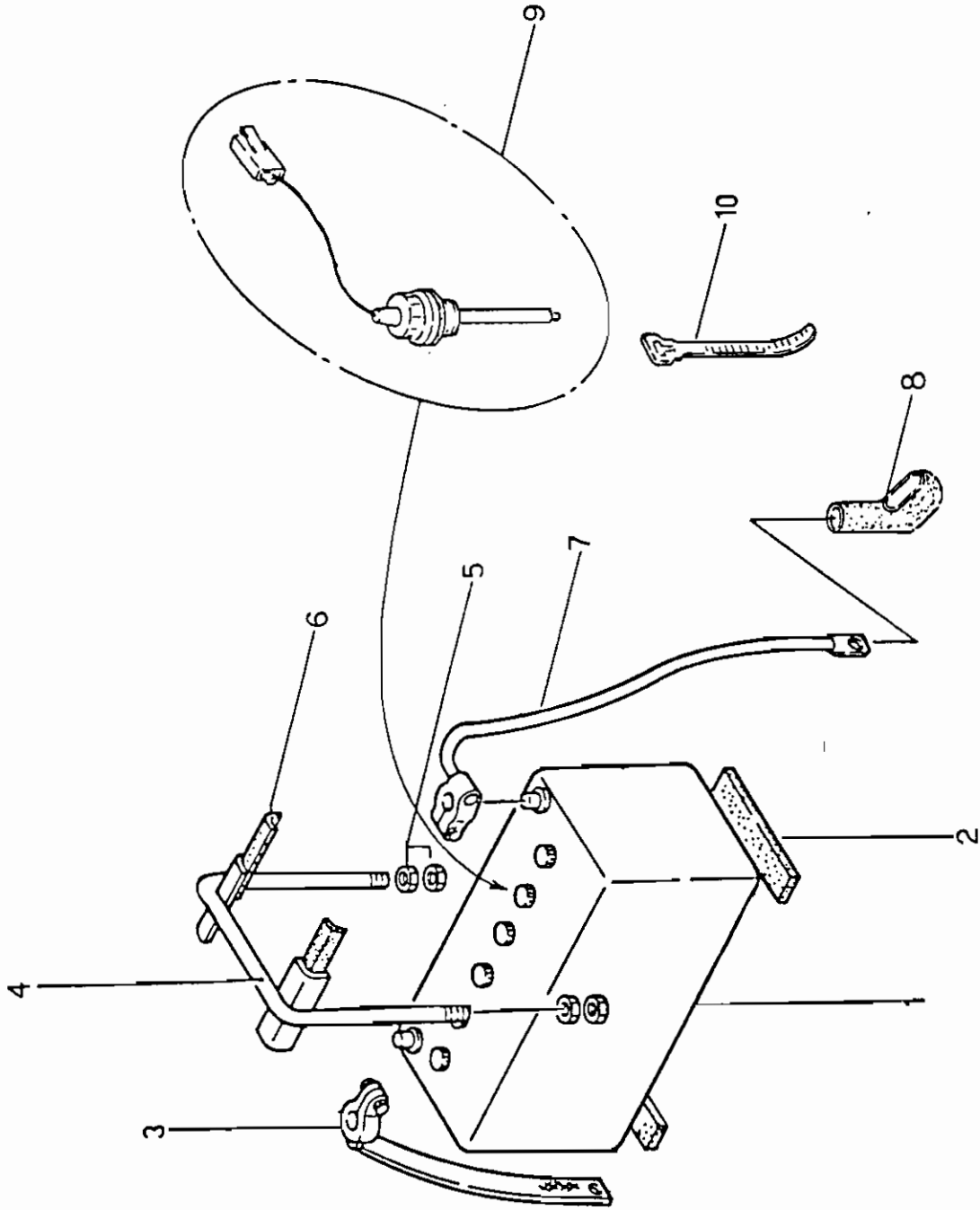
(1 - 2)

SUPPLEMENT NO.

No. 9 - AUGUST, 1987



02. BATTERY



BINDER NO.
ISP3002

(1-3)

SUPPLEMENT NO.

02. BATTERY

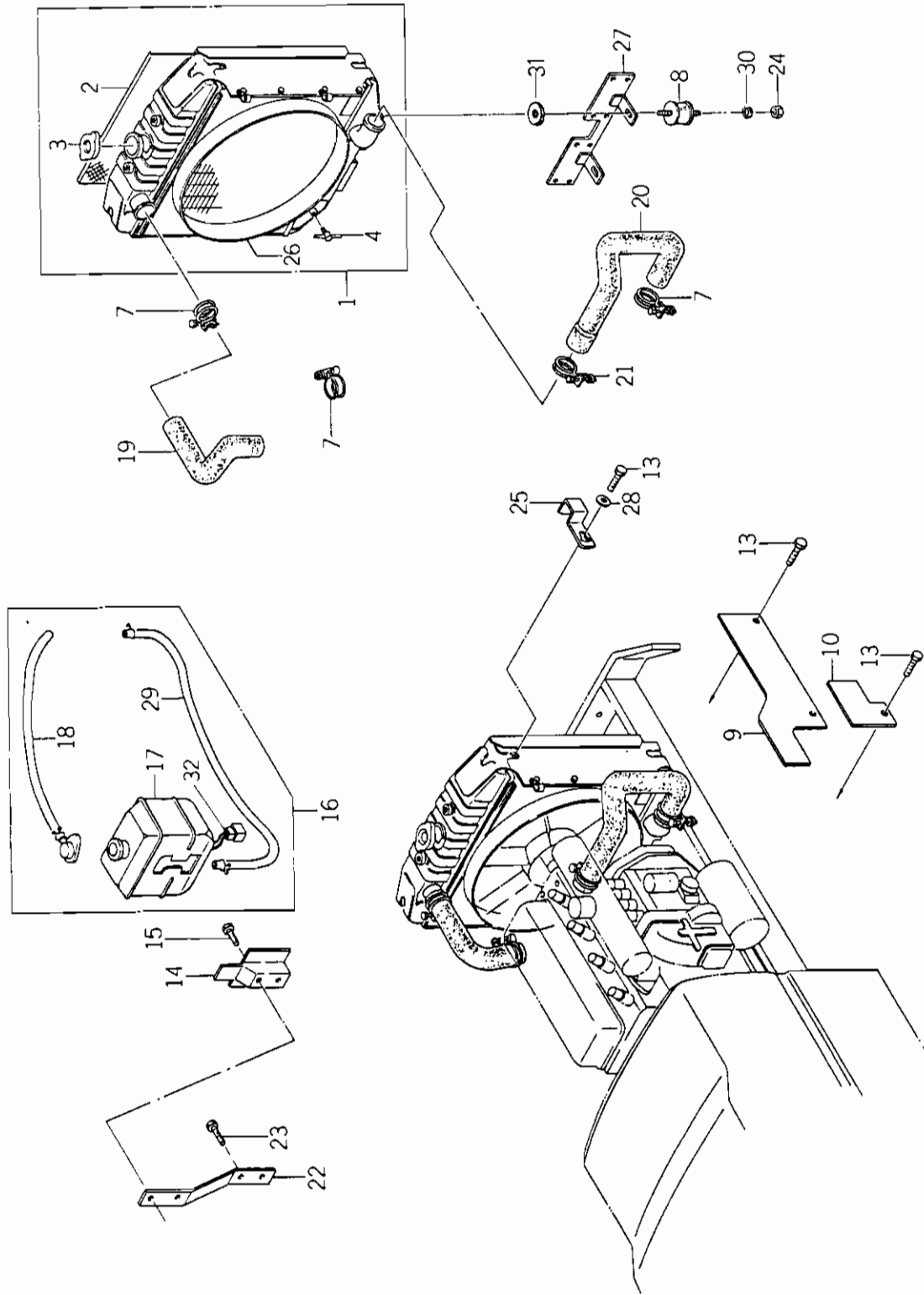


管理コード

REFNO	CODE NO.	PART	NAME	Q'ty										REMARKS
				SD 4300	SD 4340	SD 4500	SD 4540	SD 5000T	SD 5040T	SD 5040T	SD 5040T	SD 5040T	Min.Q'ty	
1	38951 0110	BATTERY		1	1	1	1	1	1	1	1	1	1	N100
1	38951 0160	BATTERY		1	1	1	1	1	1	1	1	1	1	N100
1	38951 0280	BATTERY		2	2	2	2	2	2	2	2	2	2	Tropical cooling
2	39811 2290	RUBBER		1	1	1	1	1	1	1	1	1	1	(a)
3	38565 0260	BATTERY CABLE		1	1	1	1	1	1	1	1	1	1	(b)
3	38565 0160	BATTERY CABLE		1	1	1	1	1	1	1	1	1	1	
4	38920 0020	BATTERY BAND		1	1	1	1	1	1	1	1	1	1	
5	02010 0006	NUT		4	4	4	4	4	4	4	4	4	4	
6	39811 0660	RUBBER		2	2	2	2	2	2	2	2	2	2	
7	38565 0170	BATTERY CABLE		1	1	1	1	1	1	1	1	1	1	
8	39811 0930	RUBBER		1	1	1	1	1	1	1	1	1	1	
9	38520 0480	SWITCH ASS'Y		1	1	1	1	1	1	1	1	1	1	
10	39875 0220	BAND		1	1	1	1	1	1	1	1	1	1	
	(a) { SD4500 • 4540 SD5000T • 5040T	~ 10077 ~ 50586												
	(b) { SD4500 • 4540 SD5000T • 5040T	10078~ 50587~												



03. RADIATOR, RESERVE TANK



BINDER NO.
ISP3002

(1 - 5)

SUPPLEMENT NO. No. 4 - FEBRUARY, 1985



03. RADIATOR, RESERVE TANK

管理コード

REF.NO.	CODE NO.	PART	NAME	Qty												Min.Qty	REMARKS
				S	D	S	D	S	D	S	D	S	D	S	D		
1	31010 0330	RADIATOR ASS'Y		1	1												
1	31010 0500	RADIATOR ASS'Y		1	1												
2	31014 0160	NET		1	1												
3	14554 6060	CAP		1	1												
3	31011 0010	CAP		1	1												
4	31013 0100	COCK		1	1												
7	39875 0030	HOSE BAND		3	3												
7	06710 0043	HOSE BAND		3	3												
8	39811 2350	RUBBER		2	2												
8	39811 0050	RUBBER		2	2												
9	37811 2321	GUARD; R.H		1	1												
9	37811 3590	GUARD; R.H		1	1												
9	37811 4200	GUARD; R.H		1	1												
10	37811 1940	GUARD; R.H		1	1												
13	01130 0816	BOLT		5	5												
14	31067 0010	HOLDER		1	1												
15	01114 0612	BOLT		2	2												
16	31055 0011	TANK ASS'Y		1	1												
17	31056 0010	TANK		1	1												
18	31011 0050	CAP		1	1												
19	31016 0600	RADIATOR HOSE		1	1												
19	31016 0840	RADIATOR HOSE		1	1												
20	31016 0610	RADIATOR HOSE		1	1												
20	31016 0850	RADIATOR HOSE		1	1												
21	19875 6090	HOSE BAND		1	1												
21	06710 0052	HOSE BAND		1	1												
22	31065 0050	TANK SUPPORT		1	1												
23	01130 1020	BOLT		2	2												
24	02010 0008	NUT		2	2												
25	31031 0350	RADIATOR SUPPORT		2	2												

Aug., 1986

(a) (b)

Aug., 1986

BINDER NO.
ISP3002

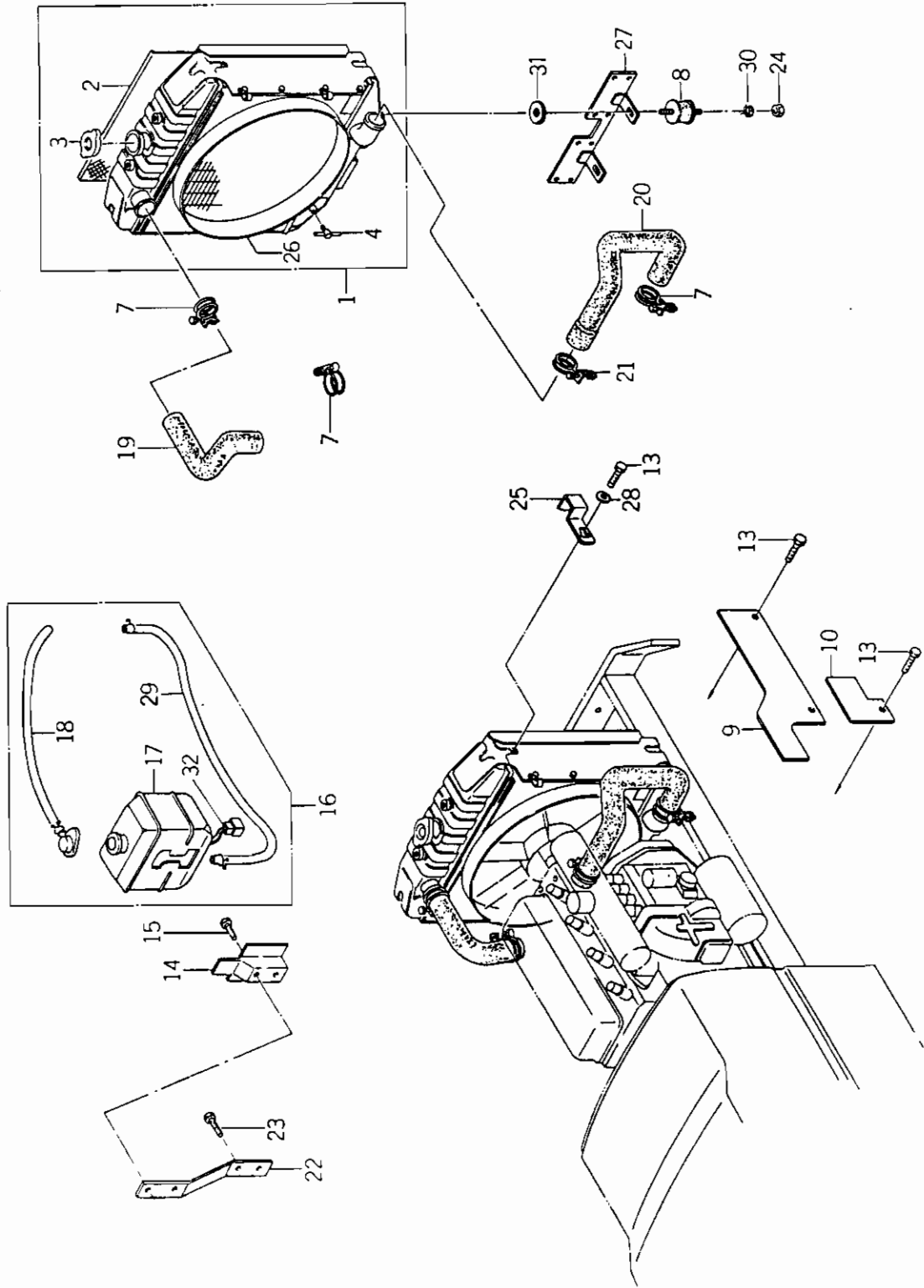
(1-6)

SUPPLEMENT NO.

No.7 - AUGUST, 1986



03. RADIATOR, RESERVE TANK



SUPPLEMENT NO.	№ 4 - FEBRUARY, 1985
----------------	----------------------

BINDER NO.	1 SP 3 0 0 2
------------	--------------

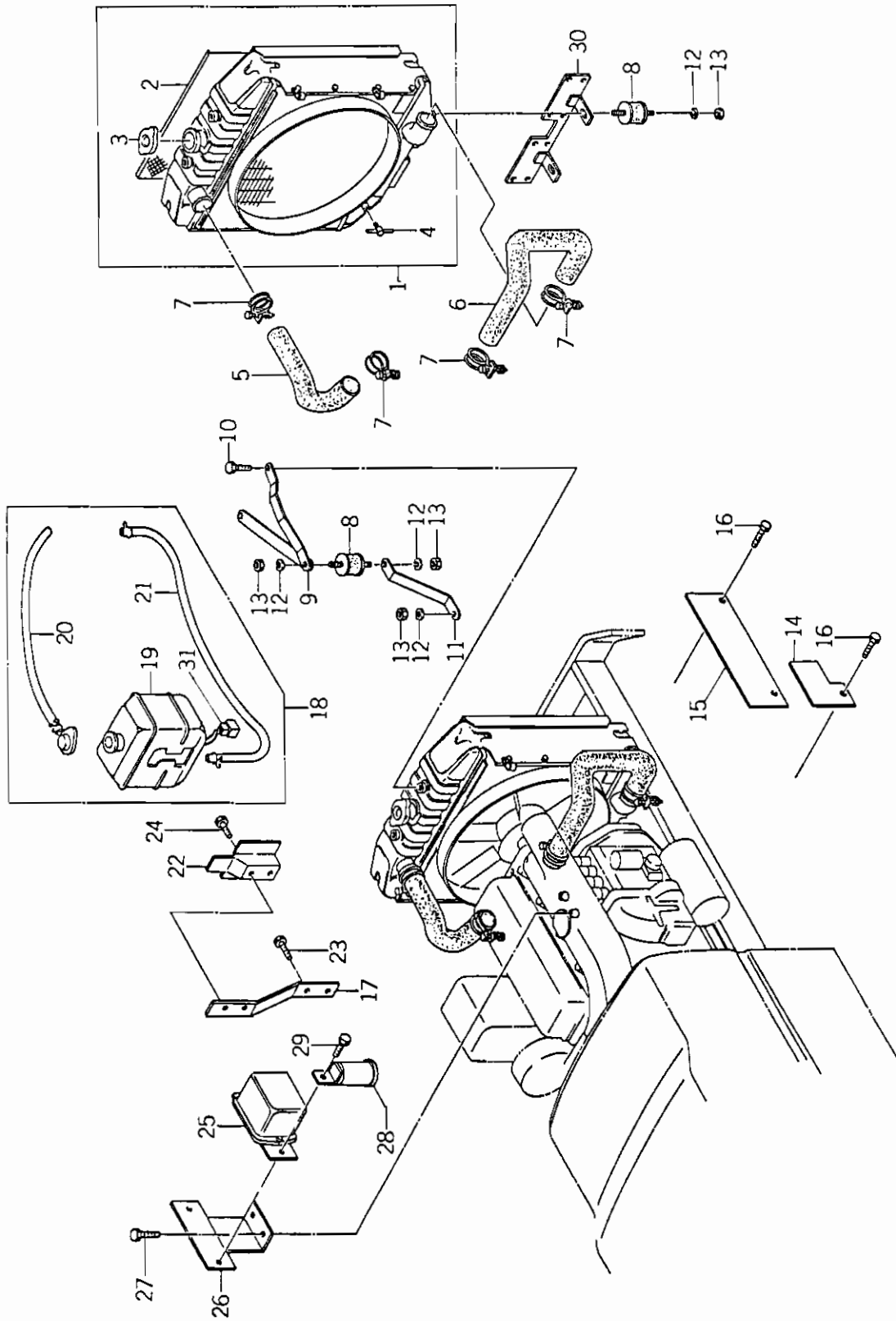
03. RADIATOR, RESERVE TANK

管理コード

REF.NO.	CODE NO.	PART	NAME	Qty												Min. Qty	REMARKS
				S	D	S	D	S	D	S	D	S	D	S	D		
26	31019 0270	SHROUD															
27	31035 0060	PLATE		1	1	1	1	1	1	1	1	1	1	1	1	1	1
28	02610 9023	WASHER		2	2	2	2	2	2	2	2	2	2	2	2	2	2
29	31012 0120	OVER FLOW PIPE		1	1	1	1	1	1	1	1	1	1	1	1	1	1
30	02710 0008	SPRING WASHER		2	2	2	2	2	2	2	2	2	2	2	2	2	2
31	39921 0590	SPACER		2	2	2	2	2	2	2	2	2	2	2	2	2	2
32	38520 0600	SWITCH		1	1	1	1	1	1	1	1	1	1	1	1	1	1
		(a) ~Apr. 1986															
		(b) May. 1986~															



04. RADIATOR, RESERVE TANK



04. RADIATOR, RESERVE TANK



管理コード

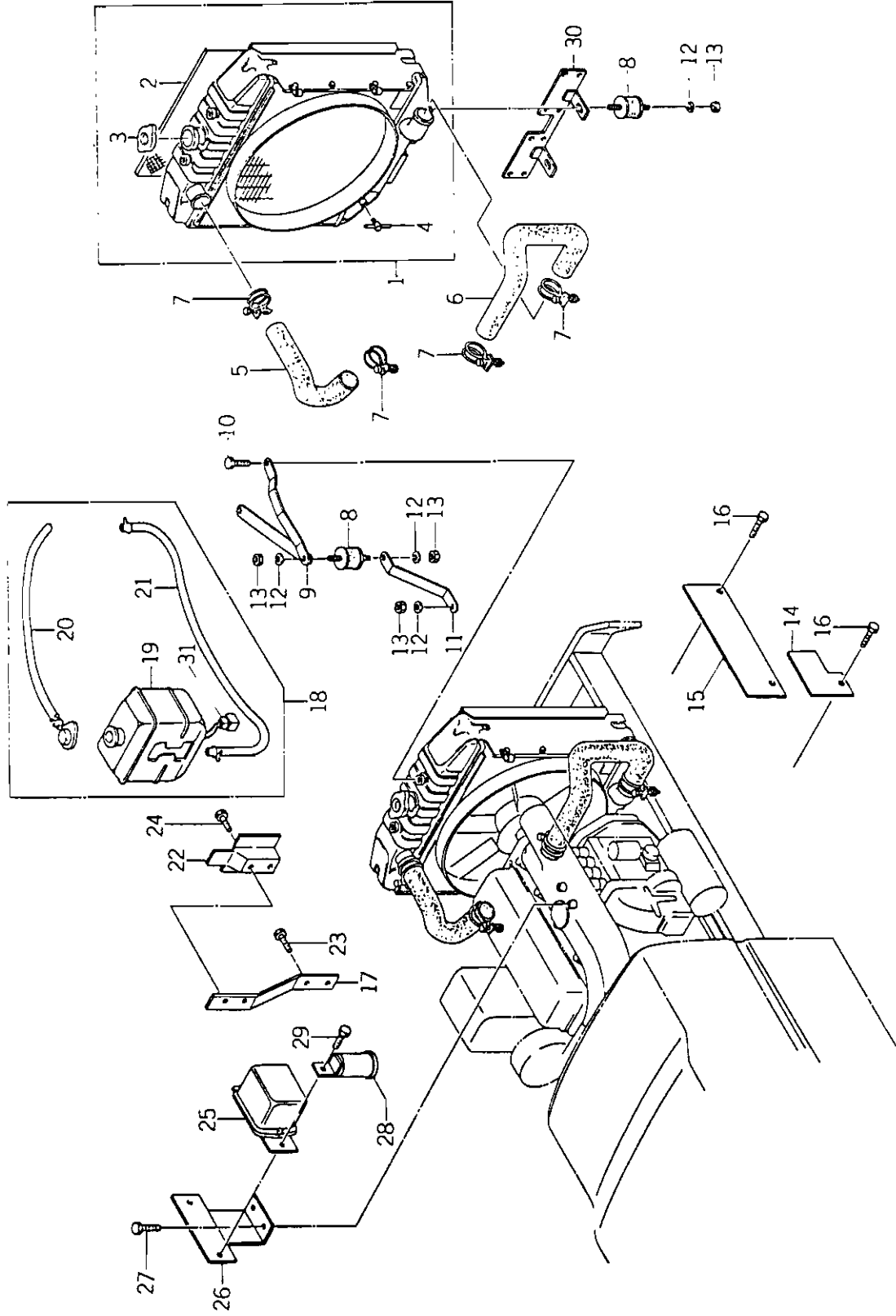
REF.NO.	CODE NO.	PART	NAME	Qty												REMARKS	
				4300	4340	4500	4540	5000	5000T	5040T	5040T	5040T	5040T	5040T	Min.Qty		
1	31010 0350	RADIATOR ASS'Y															
2	31014 0170	NET															
3	31011 0040	CAP															
4	31013 0110	COCK															
5	31016 0590	RADIATOR HOSE															
6	31016 0540	RADIATOR HOSE															
7	19875 6090	HOSE BAND															
7	06710 0052	HOSE BAND															
8	39811 0050	RUBBER															
9	31030 0250	RADIATOR SUPPORT															
10	01130 0812	BOLT															
11	31031 0500	RADIATOR SUPPORT															
12	02710 0008	SPRING WASHER															
13	02010 0008	NUT															
14	37811 1940	GUARD; R.H															
15	37811 2830	GUARD; R.H															
15	37811 3590	GUARD; R.H															
15	37811 4200	GUARD; R.H															
16	01130 0816	BOLT															
17	31065 0050	TANK SUPPORT															
18	31055 0011	TANK ASS'Y															
19	31056 0010	TANK															
20	31011 0050	CAP															
21	31012 0120	OVER FLOW PIPE															
22	31067 0010	HOLDER															
23	01130 1020	BOLT															
24	01114 0612	BOLT															
25	18551 6030	LEGULATOR															
26	35085 0400	BRACKET															
27	01114 0608	BOLT															

Aug., 1986

~50000
50001~ (a) φ
(b) φ



04. RADIATOR, RESERVE TANK



(1 -- 10A)

SUPPLEMENT NO.	No.4 - FEBRUARY, 1985
----------------	-----------------------

BINDER NO.	1 SP3002
------------	----------

04. RADIATOR, RESERVE TANK

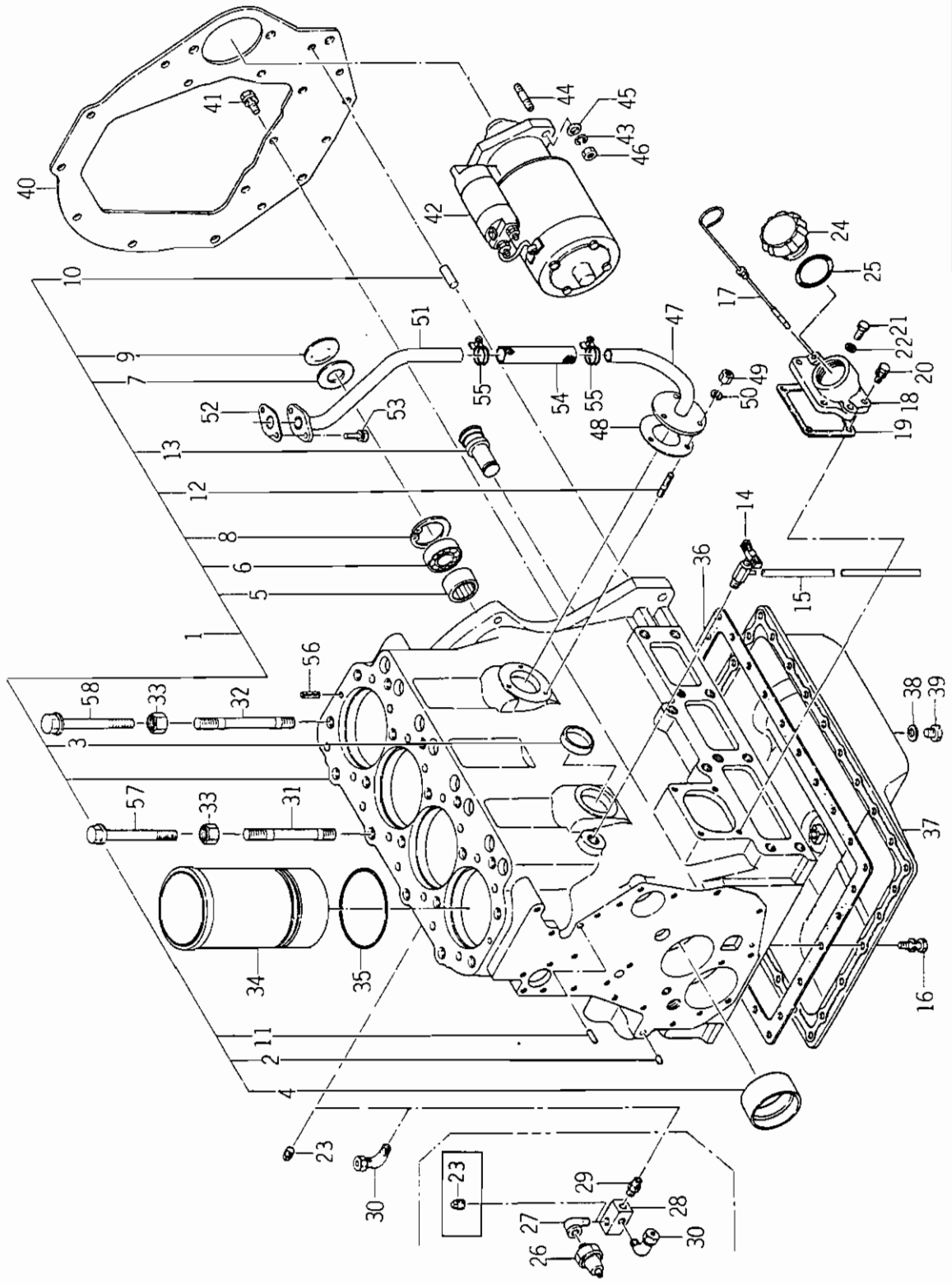


管理コード

REF.NO.	CODE NO.	PART	NAME	Qty										REMARKS			
				S	D	S	D	S	D	S	D	S	D		Min.Qty		
28	38523 0040	FLASHER UNIT		S	D	S	D	S	D	S	D	S	D	S	D		
29	01515 0616	SCREW		4300	4340	4500	4540	5000	5040								
30	31035 0060	PLATE															
31	38520 0600	SWITCH															
		(a) ~Apr. 1986															
		(b) May. 1986~															



05. CYLINDER BLOCK



BINDER NO.
ISP3002

(1 - 11)

SUPPLEMENT NO.



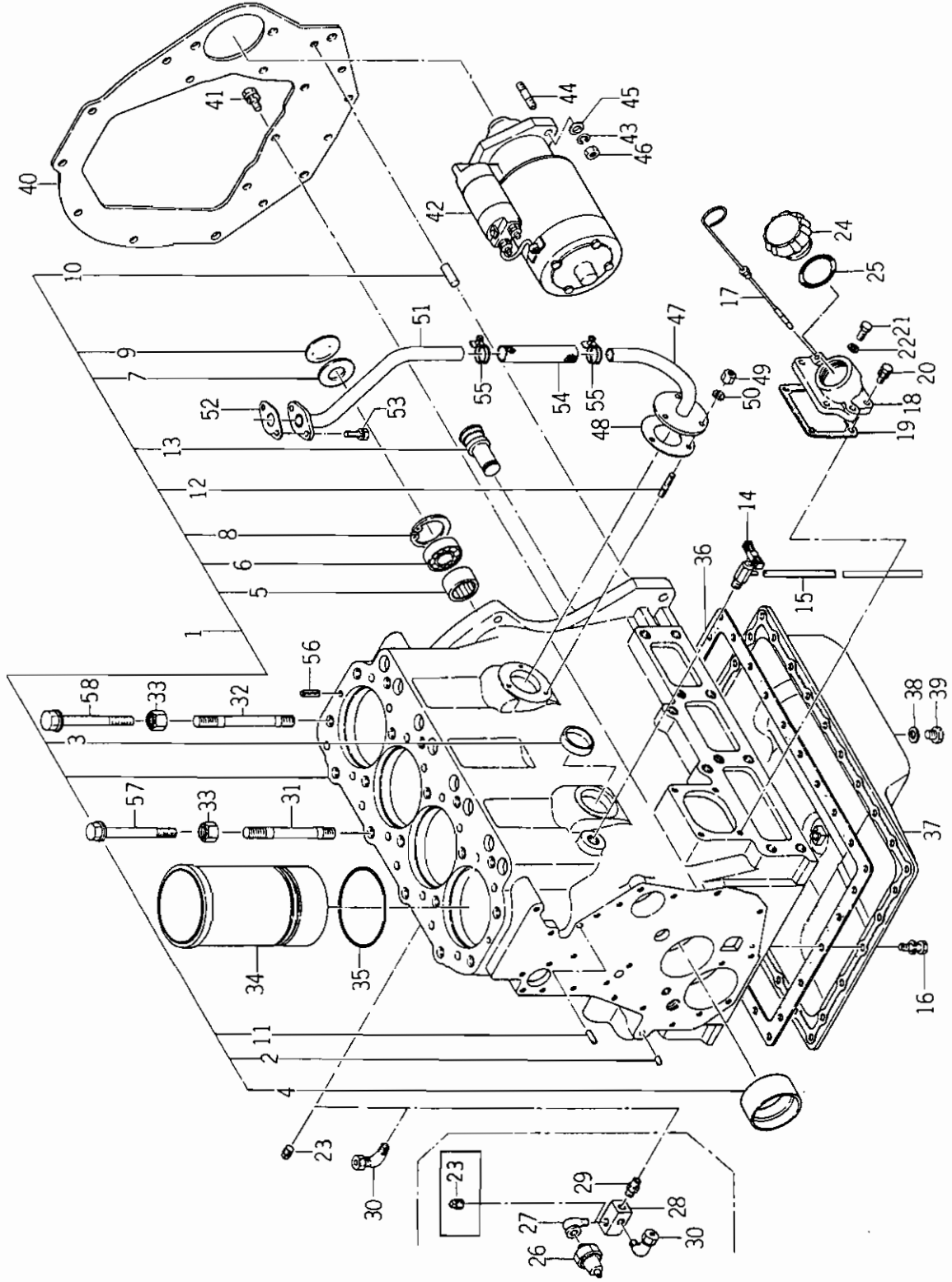
05. CYLINDER BLOCK

管理コード

REF.NO.	CODE NO.	PART	NAME	Qty												Min.Qty	REMARKS
				S	D	S	D	S	D	S	D	S	D	S	D		
1	11010 6590	CYLINDER BLOCK COMPL		1													
1	11010 6850	CYLINDER BLOCK COMPL						1									
1	11010 6610	CYLINDER BLOCK COMPL										1					
1	11010 6611	CYLINDER BLOCK COMPL											1				
2	19846 6010	BLANK PLUG		7				7				8				Feb., 1985	
3	06420 0040	SEARING CAP		3				3				4					
4	19851 6050	BUSH; S.T.D		1				1				1					
4	19851 6460	BUSH; U.S.O. 25		1				1				1					
4	19851 6470	BUSH; U.S.O. 0.50		1				1				1					
4	19851 6900	BUSH; S.T.D												1			
4	19851 6904	BUSH; U.S.O. 25												1			
4	19851 6907	BUSH; U.S.O. 0.50												1			
5	04230 9007	BEARING		1				1				1					
6	04010 6204	BEARING		1				1				1					
7	19921 6080	SPACER		1				1				1					
8	03650 0047	SNAPPING		1				1				1					
9	06410 0047	EXPANSION PLUG		1				1				1					
10	03050 1025	DOWEL PIN		2				2				2					
11	03050 0625	DOWEL PIN		2				2				2					
12	01210 0614	STUD BOLT												3			
13	16546 6070	IDLE SHAFT										1					
14	19873 6081	COCK		1				1				1					
15	06811 0280	VINYL TUBE		1				1				1					
16	01130 0816	BOLT		30				30				30					
17	19841 6070	GAUGE		1				1				1					
18	11076 6010	GAUGE HOLDER		1				1				1					
18	11076 6140	GAUGE HOLDER		1				1				1					
19	11099 6150	GASKET		1				1				1					
20	01130 0820	BOLT		3				3				3					
21	01010 0820	BOLT		1				1				1					



05. CYLINDER BLOCK



BINDER NO.
ISP3002

(1 - 13)

SUPPLEMENT NO.



05. CYLINDER BLOCK

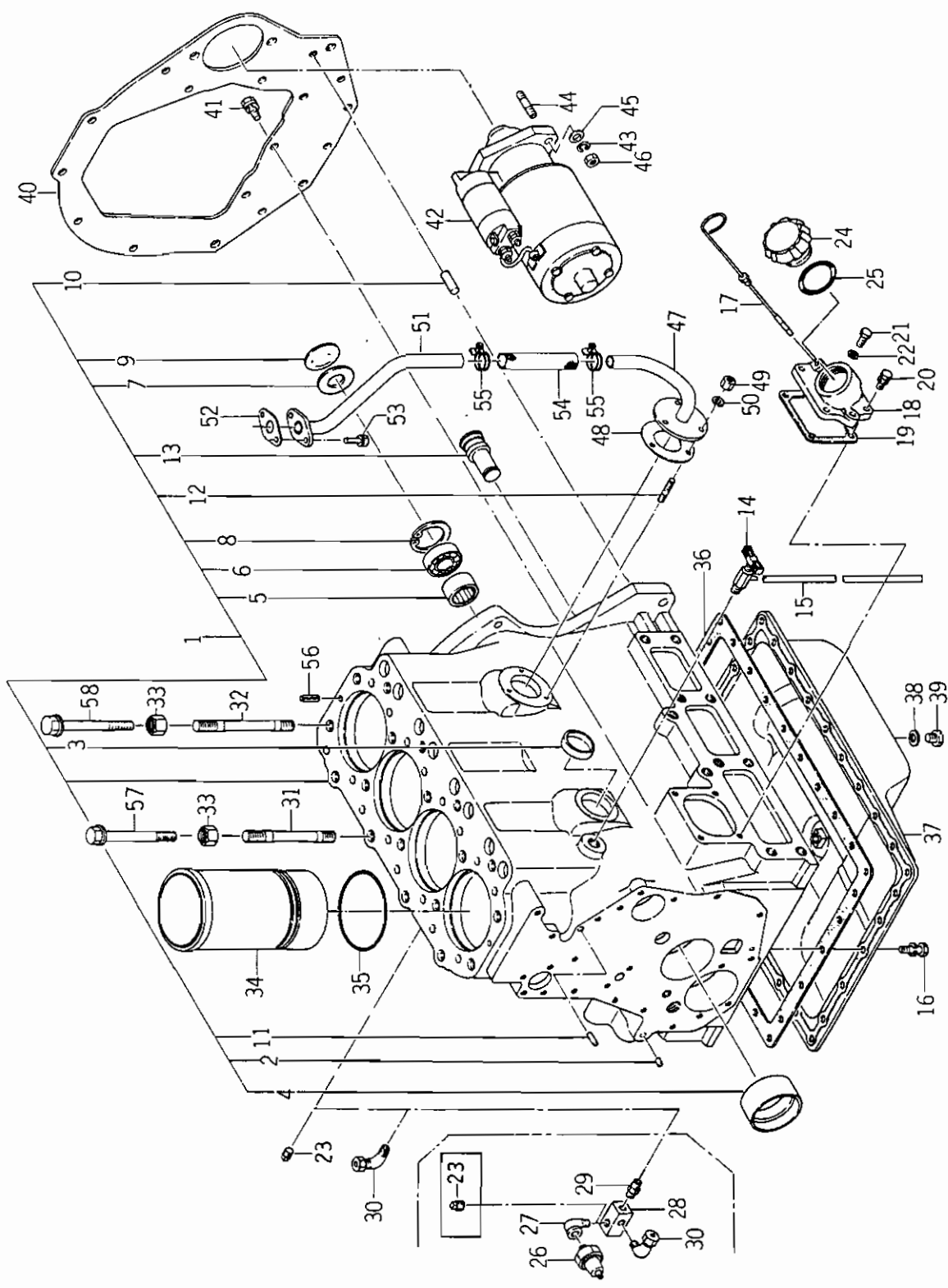
管理コード

REF.NO.	CODE NO.	PART	NAME	Qty										REMARKS	
				S	D	S	D	S	D	S	D	S	D		
22	02510 0008	SEAL WASHER		1	1	1	1	1	1	1	1	1	1	1	
23	06450 0010	PLUG		1	1	1	1	1	1	1	1	1	1	1	(b)
24	19843 6010	CAP		1	1	1	1	1	1	1	1	1	1	1	
25	05210 0400	O-RING		1	1	1	1	1	1	1	1	1	1	1	(a)
26	18524 6050	OIL PRESSUER UNIT													
27	19848 6650	CONNECTOR													(a)
28	19848 6390	CONNECTOR													(c)
29	19848 6380	NIPPLE													(c)
30	19848 6370	CONNECTOR													
31	11113 6200	HEAD BOLT M14		4	4	4	4	4	4	4	4	4	4	4	
32	11113 6020	HEAD BOLT M14		14	14	14	14	14	14	14	14	14	14	14	
33	19937 6010	NUT		18	18	18	18	18	18	18	18	18	18	18	
34	11012 6161	CYLINDER LINER		4	4	4	4	4	4	4	4	4	4	4	
35	05230 0900	O-RING		8	8	8	8	8	8	8	8	8	8	8	
36	11099 6450	GASKET		1	1	1	1	1	1	1	1	1	1	1	
37	11070 6390	OIL PAN COMPL		1	1	1	1	1	1	1	1	1	1	1	
37	11070 6391	OIL PAN COMPL		1	1	1	1	1	1	1	1	1	1	1	
38	02510 0012	SEAL WASHER		2	2	2	2	2	2	2	2	2	2	2	
39	01040 1212	BOLT		2	2	2	2	2	2	2	2	2	2	2	
40	11036 6190	REAR PLATE		1	1	1	1	1	1	1	1	1	1	1	
41	01130 1020	BOLT		5	5	5	5	5	5	5	5	5	5	5	
42	18508 6141	STARTING MOTOR ASS'Y		1	1	1	1	1	1	1	1	1	1	1	
43	02710 0012	SPRING WASHER		2	2	2	2	2	2	2	2	2	2	2	
44	01211 1235	STUD BOLT		2	2	2	2	2	2	2	2	2	2	2	
45	02610 0012	WASHER		2	2	2	2	2	2	2	2	2	2	2	
46	02020 0012	NUT		2	2	2	2	2	2	2	2	2	2	2	
47	14060 6140	PIPE COMPL													
48	14099 6080	GASKET													
49	02010 0006	NUT													
50	02710 0006	SPRING WASHER													

7 August, 1985



05. CYLINDER BLOCK



BINDER NO.
ISP3002

(1 - 15)

SUPPLEMENT NO.



05. CYLINDER BLOCK

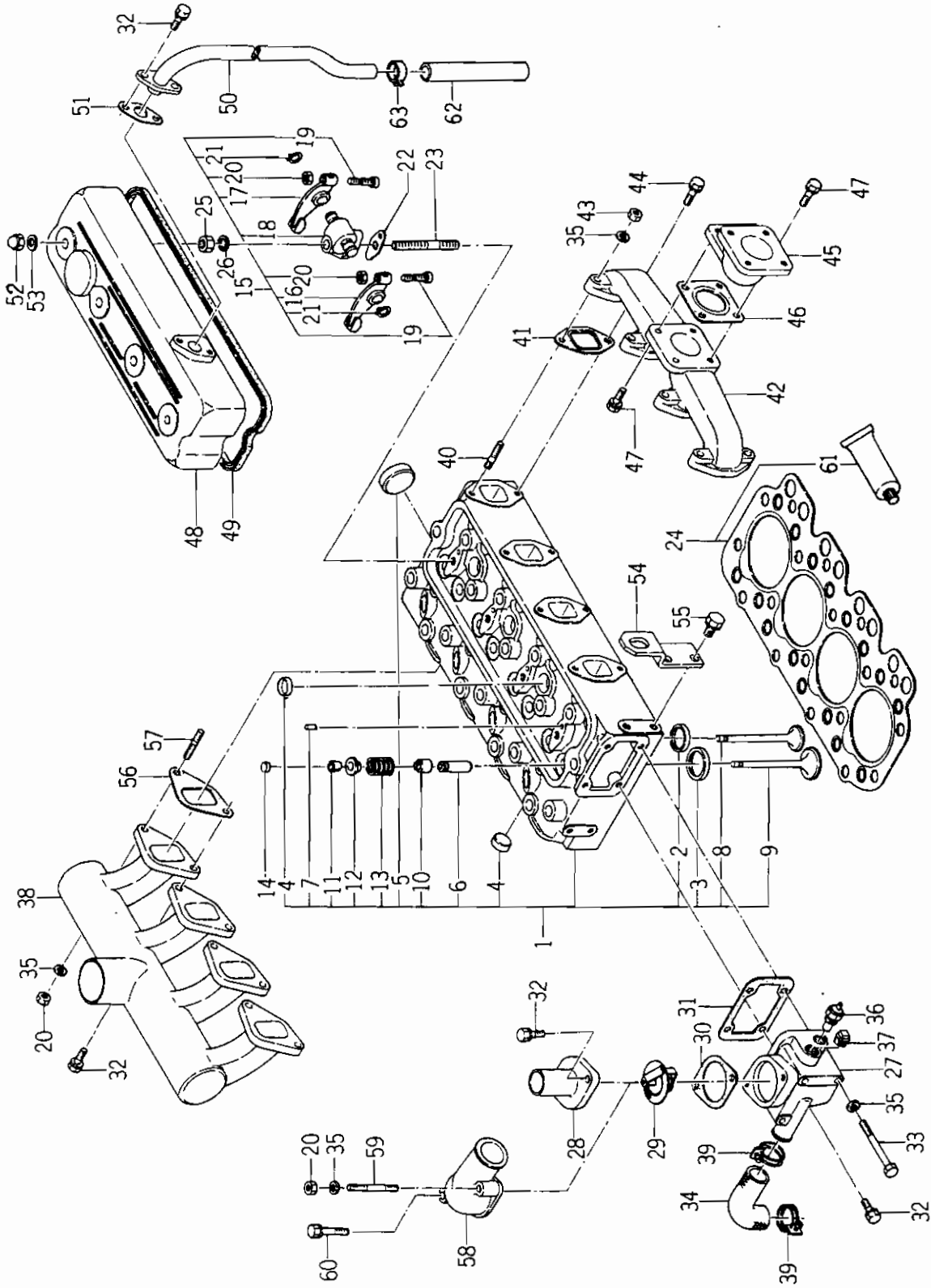
管理コード

REF.NO.	CODE NO.	PART	NAME	Qty												Min.Qty	REMARKS
				SD 4300	SD 4340	SD 4600	SD 4640	SD 5000T	SD 5040T	SD 5000T	SD 5040T	SD 5000T	SD 5040T				
51	14060 6121	PIPE COMPL															
52	14099 6070	GASKET															
53	01114 0616	BOLT															
54	06820 9044	RUBBER HOSE															
55	29875 0020	HOSE BAND															
56	03030 9005	SPRING PIN															
57	11113 6280	HEAD BOLT MI2															
58	11113 6270	HEAD BOLT MI2															
			(a)LEP854A ~EN10488	(b)LEP854A	(c)LEP854A ~EN10790	(SD5000T) ~EN10790	(SD5040T)										

BINDER NO.
ISP3002



06. CYLINDER HEAD



BINDER NO.
ISP3002

SUPPLEMENT NO.

06. CYLINDER HEAD



管理コード

REFNO.	CODE NO.	PART	NAME	Qty										Min.Qty	REMARKS		
				S	D	S	D	S	D	S	D	S	D			S	D
1	11101 6470	CYLINDER HEAD ASS'Y		1		1		1		1		1		1			
1	11101 6720	CYLINDER HEAD ASS'Y															
1	11101 6510	CYLINDER HEAD ASS'Y		4		4		4		4		4		4			
2	11013 6080	VALVE SEAT-EX		4		4		4		4		4		4			
3	11013 6070	VALVE SEAT-IN		7		7		7		7		7		7			
4	06420 0025	SEARING CAP		1		1		1		1		1		1			
5	06420 0040	SEARING CAP		8		8		8		8		8		8			
6	11014 6061	VALVE GUIDE		8		8		8		8		8		8			
6	11014 6062	VALVE GUIDE		4		4		4		4		4		4			
7	03030 0612	SPRING PIN		4		4		4		4		4		4			
8	12017 6082	EXHAUST VALVE		4		4		4		4		4		4			
8	12017 6221	EXHAUST VALVE		4		4		4		4		4		4			
9	12016 6082	INTAKE VALVE		8		8		8		8		8		8			
10	12040 6040	VALVE GUIDE SEAL		16		16		16		16		16		16			
11	12022 6010	COTTER		8		8		8		8		8		8			
12	12018 6010	RETAINER		8		8		8		8		8		8			
13	19821 6440	SPRING		8		8		8		8		8		8			
14	12021 6030	CAP		8		8		8		8		8		8			
15	12003 6180	ROCKER-ARM ASS'Y		4		4		4		4		4		4			
16	12035 6011	POCKER-ARM COMPL		4		4		4		4		4		4			
17	12035 6060	ROCKER-ARM COMPL		4		4		4		4		4		4			
18	12030 6011	SHAFT COMPL		4		4		4		4		4		4			
19	19948 6010	ADJUST SCREW		8		8		8		8		8		8			
20	02010 0008	NUT		12		12		12		12		12		12			
21	03610 0014	SNAP RING		8		8		8		8		8		8			
22	19928 6080	SHIM		A/R		A/R		A/R		A/R		A/R		A/R			
22	19928 6200	SHIM		1		1		1		1		1		1			Feb., 1987
23	01210 9044	STUD BOLT		4		4		4		4		4		4			WITH REF No.61
24	11114 6800	HEAD GASKET		1		1		1		1		1		1			WITHOUT REF.No.61
24	11114 6732	HEAD GASKET T1.5		1		1		1		1		1		1			

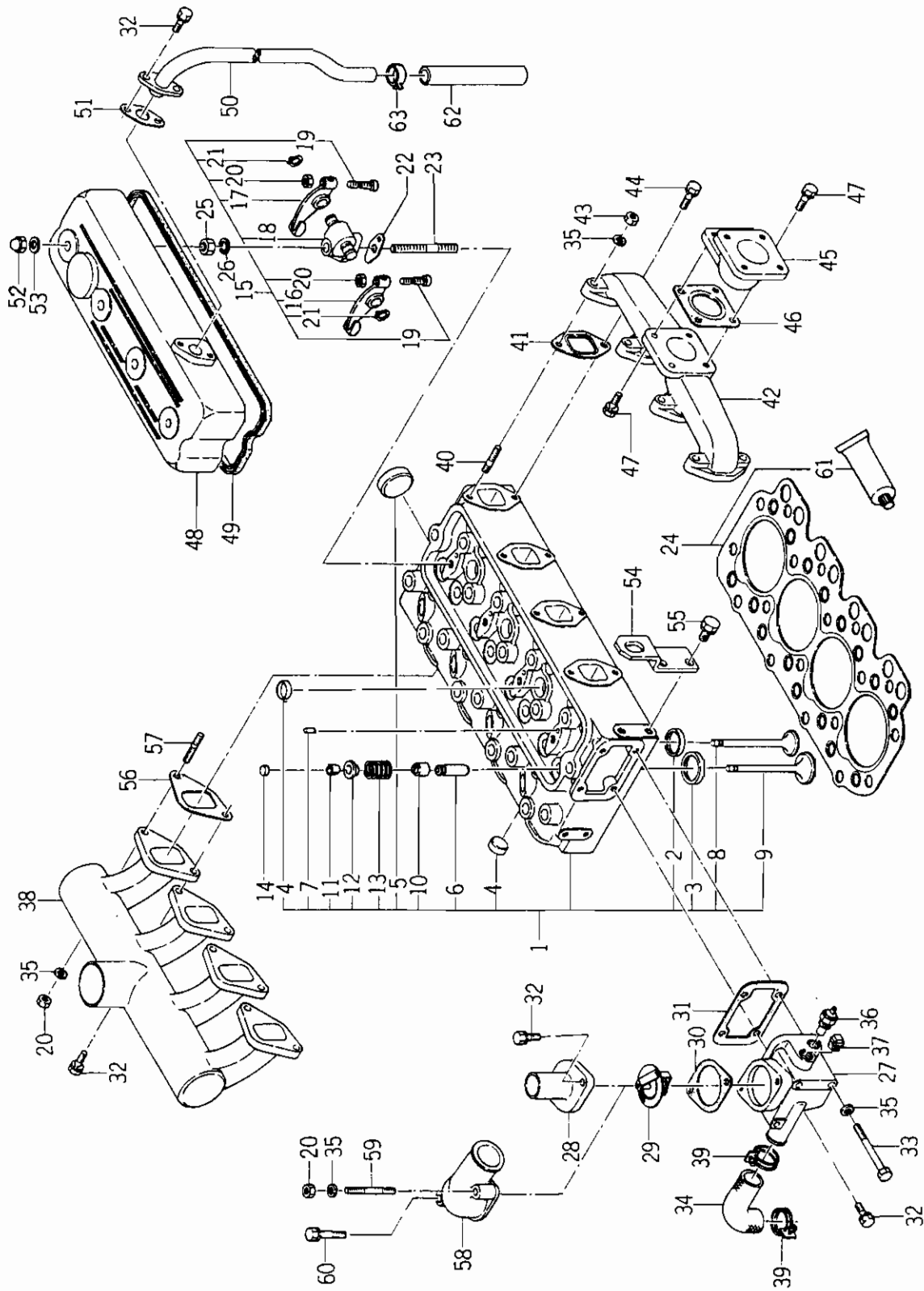
BINDER NO.
1SP3002

(1 - 18)

SUPPLEMENT NO. No.7 -AUGUST, 1986



06. CYLINDER HEAD



BINDER NO.
ISP3002

SUPPLEMENT NO.



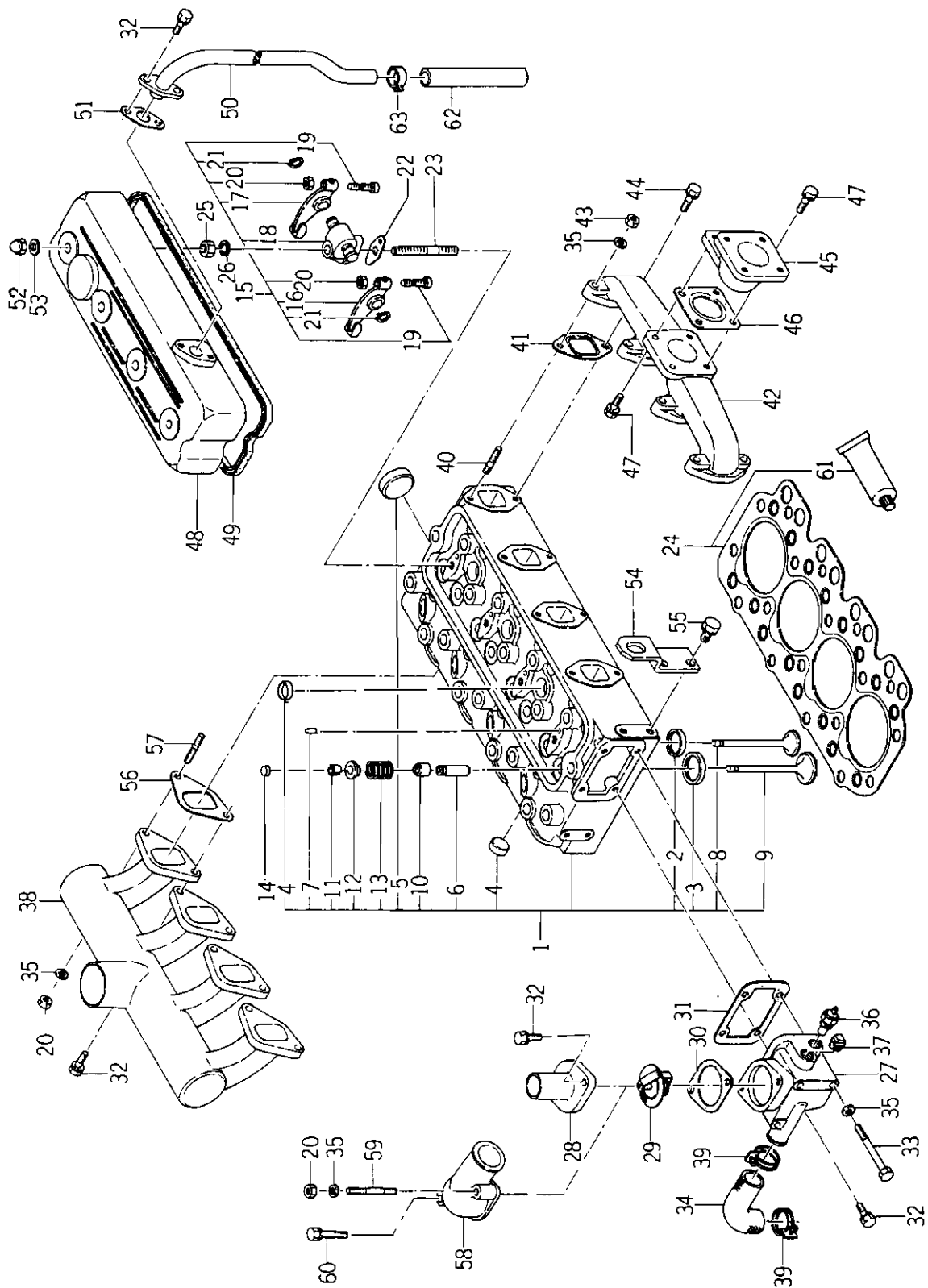
06. CYLINDER HEAD

管理コード

REF.NO.	CODE NO.	PART	NAME	Qty												REMARKS
				S	D	S	D	S	D	S	D	S	D	S	D	
24	11114 6733	HEAD GASKET T1.5														WITHOUT REF No.61
24	11114 6782	HEAD GASKET T1.7														WITHOUT REF No.61
24	11114 6783	HEAD GASKET T1.7														August., 1985 WITHOUT REF No.61
25	02020 0010	NUT		4	4	4	4	4	4	4	4	4	4	4	4	
26	02710 0010	SPRING WASHER		4	4	4	4	4	4	4	4	4	4	4	4	
27	14521 6060	THERMOSTAT CASE		1	1	1	1	1	1	1	1	1	1	1	1	
28	14522 6010	THERMOSTAT COVER		1	1	1	1	1	1	1	1	1	1	1	1	
29	14520 6011	THERMOSTAT		1	1	1	1	1	1	1	1	1	1	1	1	
30	14599 6030	GASKET		1	1	1	1	1	1	1	1	1	1	1	1	
31	14599 6210	GASKET		1	1	1	1	1	1	1	1	1	1	1	1	
32	01130 0825	BOLT		9	9	9	9	9	9	9	9	9	9	9	9	
33	01010 0880	BOLT		3	3	3	3	3	3	3	3	3	3	3	3	
34	14553 6120	HOSE		1	1	1	1	1	1	1	1	1	1	1	1	
35	02710 0008	SPRING WASHER		11	11	11	11	11	11	11	11	11	11	11	11	
36	38572 0070	SENSOR-THERMO		1	1	1	1	1	1	1	1	1	1	1	1	
37	06450 0030	PLUG		1	1	1	1	1	1	1	1	1	1	1	1	
38	13559 6240	INLET MANIFOLD		1	1	1	1	1	1	1	1	1	1	1	1	
39	39875 0210	HOSE BAND		2	2	2	2	2	2	2	2	2	2	2	2	
40	01211 0830	STUD BOLT		4	4	4	4	4	4	4	4	4	4	4	4	
41	13599 6280	GASKET		4	4	4	4	4	4	4	4	4	4	4	4	
42	13561 6180	EXHAUST MANIFOLD		1	1	1	1	1	1	1	1	1	1	1	1	
43	02011 0008	NUT		4	4	4	4	4	4	4	4	4	4	4	4	
44	01131 0830	BOLT		4	4	4	4	4	4	4	4	4	4	4	4	
45	13561 6190	ELBOW		1	1	1	1	1	1	1	1	1	1	1	1	
46	31499 0012	GASKET		1	1	1	1	1	1	1	1	1	1	1	1	
47	01131 0825	BOLT		4	4	4	4	4	4	4	4	4	4	4	4	
48	11120 6230	HEAD COVER COMPL		1	1	1	1	1	1	1	1	1	1	1	1	
48	11121 6310	HEAD COVER		1	1	1	1	1	1	1	1	1	1	1	1	
49	05210 9063	O-RING		1	1	1	1	1	1	1	1	1	1	1	1	
49	11199 6230	GASKET		1	1	1	1	1	1	1	1	1	1	1	1	



06. CYLINDER HEAD



	SUPPLEMENT NO.
--	----------------

BINDER NO.	ISP3002
------------	---------

06. CYLINDER HEAD



管理コード

REFNO	CODE NO.	PART	NAME	Q'ty												Min. Qty	REMARKS
				S D 4300	S D 4340	S D 4500	S D 4540	S D 5000T	S D 5040T	S D	S D	S D	S D	S D	S D		
50	11050 6190	PIPE COMPL				1						1					
50	11050 6061	PIPE COMPL										1					
51	11099 6460	GASKET				1						1					
52	02450 0010	CAP NUT				4						4					
53	02510 0010	SEAL WASHER				4						4					
53	19899 6070	GASKET				4						4					August, 1984
53	19899 6071	GASKET				4						4					Feb., 1987
54	19581 6260	HANGER				2						2					
54	19581 6261	HANGER				2						2					
55	01131 1020	BOLT				3						4					Feb., 1985
56	13599 6270	GASKET				4						4					
57	01210 0825	STUD BOLT				4						4					
58	14522 6110	THERMOSTAT COVER															
59	01210 9121	STUD BOLT															
60	01130 0845	BOLT															
61	11114 6810	SEALANT				1											
62	06810 9032	TUBE; VINYL				1											
63	19834 6080	CLIP				1											

BINDER NO.
I SP 3 0 0 2

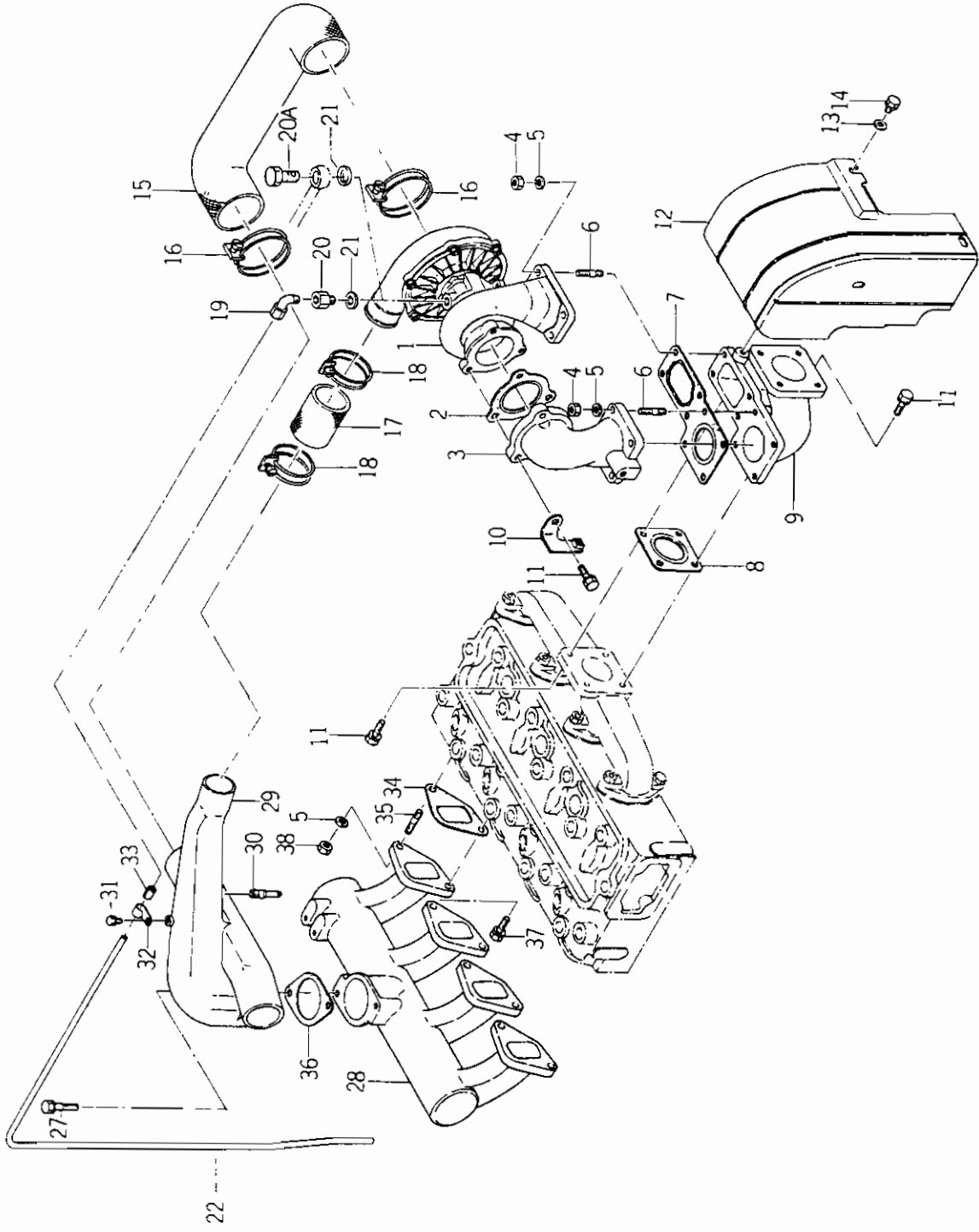
(1 - 22)

SUPPLEMENT NO.

No. 7 - AUGUST, 1986



07. TURBO-CHARGER



BINDER NO.
ISP3002

SUPPLEMENT NO.

07. TURBO-CHARGER



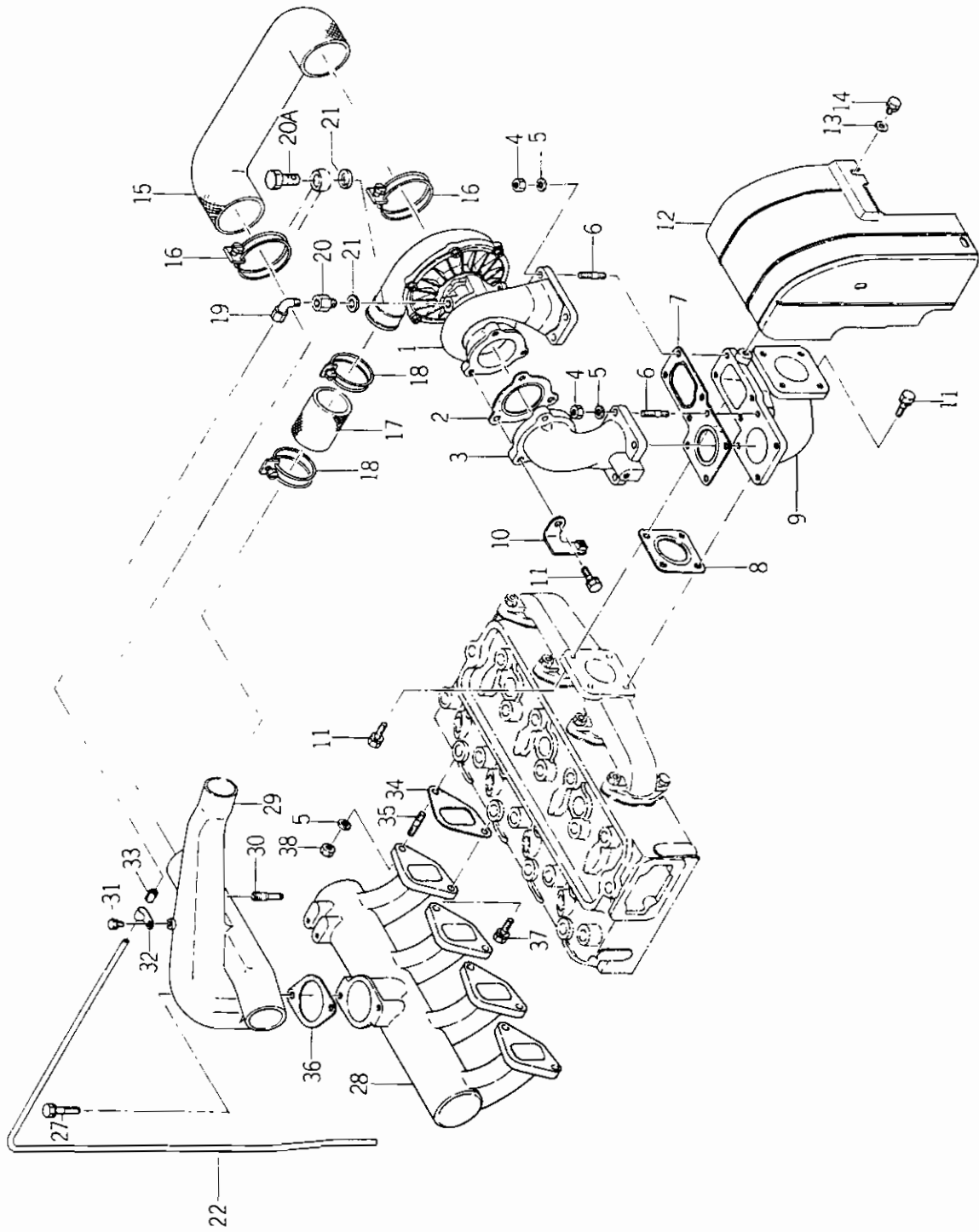
管理コード

REF.NO	CODE NO.	PART	NAME	Qty										Min.Qty	REMARKS	
				S	D	S	D	S	D	S	D	S	D			
1	13575 6040	TURBO CHARGER ASS'Y														
2	13599 6140	GASKET														
3	13561 6070	ELBOW														
4	02011 0008	NUT														
5	02710 0008	SPRING WASHER														
6	01211 0825	STUD BOLT														
7	13599 6130	GASKET														
8	31499 0012	GASKET														
9	13565 6020	EXHAUST PIPE														
10	17545 6010	SUPPORTER COMPL														
11	01131 0825	BOLT														
12	17560 6071	COVER COMPL														
13	02610 0008	WASHER														
14	01130 0812	BOLT														
15	13559 6260	RUBBER TUBE														
16	19875 6060	HOSE BAND														
17	13559 6090	RUBBER TUBE														
18	19875 6090	HOSE BAND														
19	19848 6370	CONNECTOR														(a)
20	19943 6180	CONNECTOR														(a)
20A	19848 6690	BOLT														(b)
21	05410 9025	GASKET														(a)
22	14060 6391	PIPE														(b)
22	14060 6420	PIPE														
27	01130 0840	BOLT														
28	13559 6270	INLET MANIFOLD														
29	13556 6250	INLET PIPE														
30	14598 6060	PIPE														
31	01114 0610	BOLT														
32	19911 6080	CLAMP														

BINDER NO.	IS P 3 0 0 2
SUPPLEMENT NO.	



07. TURBO-CHARGER



	SUPPLEMENT NO.
--	----------------

BINDER NO.	ISP 3002
------------	----------



07. TURBO-CHARGER

管理コード

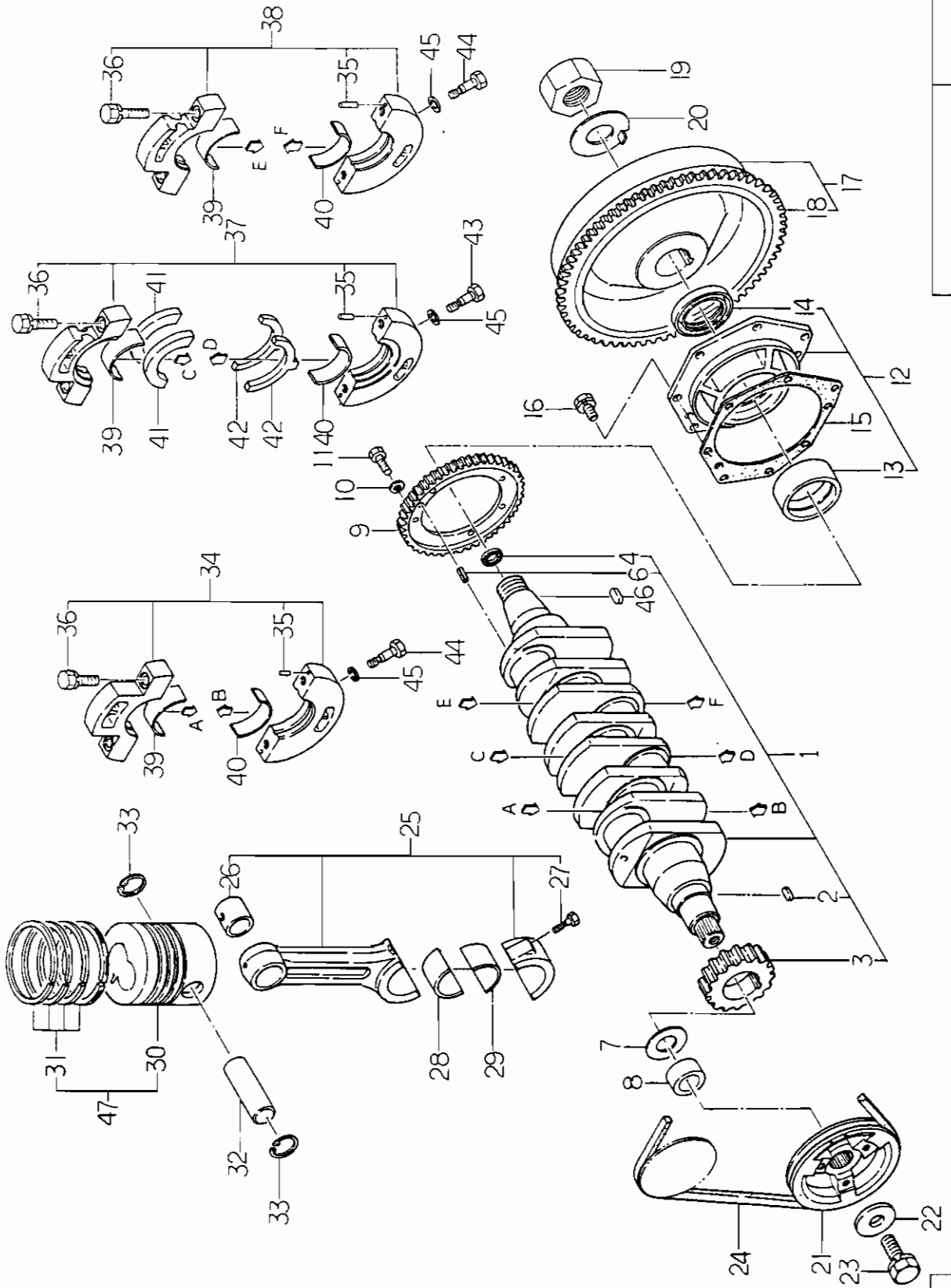
REFNO.	CODE NO.	PART	NAME	Qty										REMARKS								
				S	D	S	D	S	D	S	D	S	D		Min.Qty							
33	19811 6160	RUBBER																				
34	13599 6270	GASKET		4300	4340	4500	4540	5000T	5040T													
35	01210 0825	STUD BOLT																				
36	13599 6290	GASKET																				
37	01130 0825	BOLT																				
38	02010 0008	NUT																				
(a) LEP854A ~EN10790 (b) LEP854A EN10791 ~																						

BINDER NO.
ISP3002

SUPPLEMENT NO.



08. CRANKSHAFT, PISTON





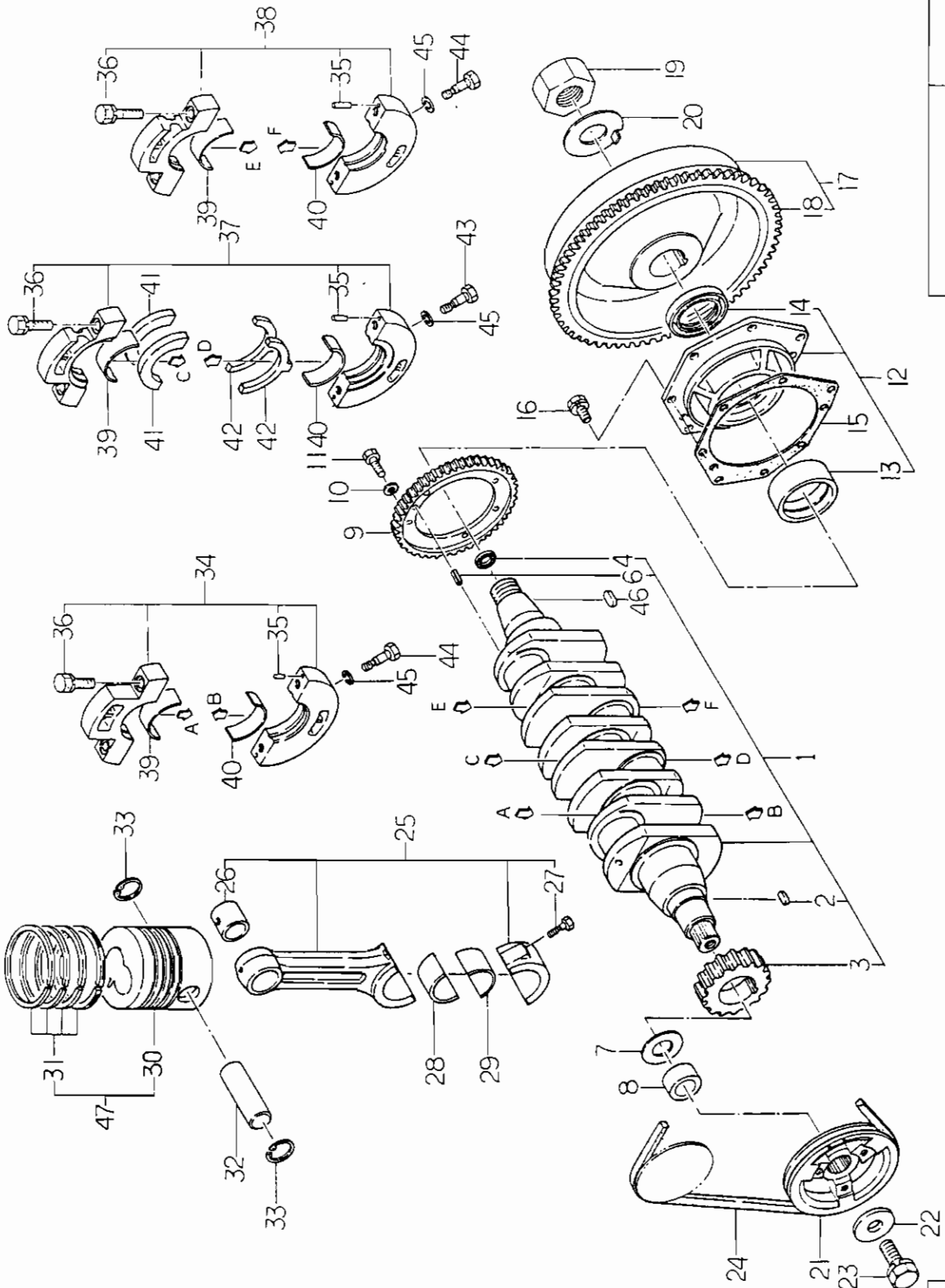
08. CRANKSHAFT, PISTON

管理コード

REFNO.	CODE NO.	PART	NAME	Q'ty												REMARKS	
				S	D	S	D	S	D	S	D	S	D	S	D		
1	11525 6300	CRANKSHAFT COMPL		1													Feb., 1987 115256401 Feb., 1987
1	11525 6482	CRANKSHAFT COMPL			1												
1	11525 6483	CRANKSHAFT COMPL			1												
1	11525 6390	CRANKSHAFT COMPL							1								
1	11525 6391	CRANKSHAFT COMPL							1								
2	03410 9004	KEY		1													
3	11527 6090	CRANKSHAFT GEAR		1													
4	04011 6001	BALL BEARING		1													
6	03030 0618	SPRING PIN		1													
7	11541 6130	OIL SLINGER		1													
8	19923 6410	COLLAR		1													
9	16541 6230	GEAR		1													
9	16541 6231	GEAR		1													
10	02710 0006	SPRING WASHER		5													
11	01011 0616	BOLT		5													
12	11040 6190	BEARING COVER COMPL		1													
13	19851 6050	BUSH; S.T.D		1													
13	19851 6460	BUSH; U.S. 0.25		1													
13	19851 6470	BUSH; U.S. 0.50		1													
14	19863 6050	OIL SEAL		1													
15	11099 6421	GASKET		1													
15	11099 6422	GASKET		1													
16	01131 1025	BOLT		7												Feb., 1987	
17	11535 6380	FLYWHEEL COMPL-DUAL		1													
17	11535 6091	FLYWHEEL COMPL-SINGLE		1													
18	11537 6020	RING GEAR		1													
19	19937 6031	NUT		1													
20	19931 6021	LOCK WASHER		1													
21	11539 6230	CRANKSHAFT PULLEY		1													
21	11539 6230	CRANKSHAFT PULLEY		1													
22	02610 9032	WASHER		1													



08. CRANKSHAFT, PISTON



SUPPLEMENT NO.	
----------------	--

(1 - 29)

BINDER NO.
1 SP 3 0 0 2



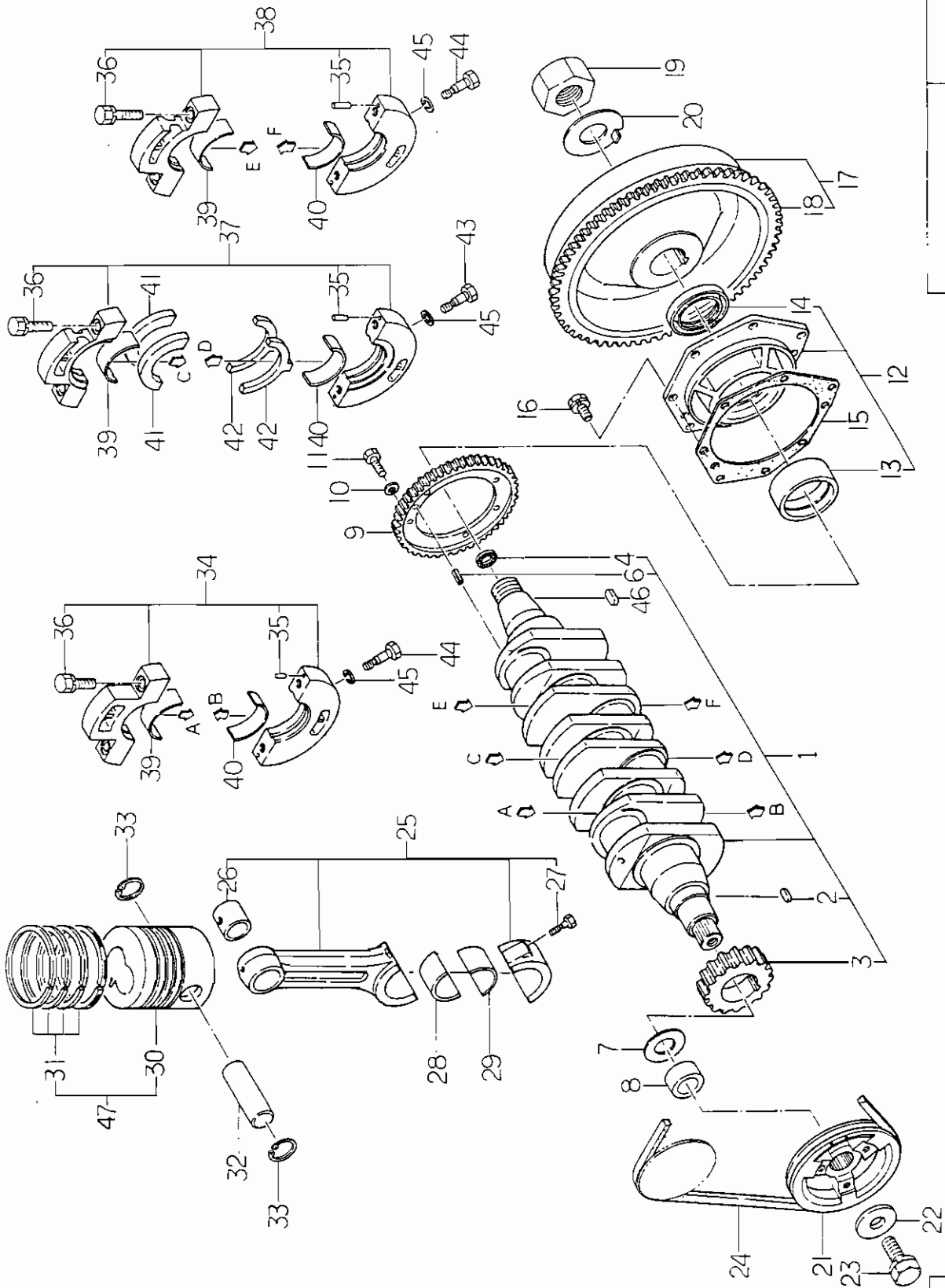
08. CRANKSHAFT, PISTON

管理コード

REF.NO.	CODE NO.	PART	NAME	Qty										Min.Qty	REMARKS		
				S	D	S	D	S	D	S	D	S	D			S	D
23	01131 1225	BOLT		1	1	1	1	1	1	1	1	1	1	1	1		
24	08022 0042	V-BELT		1	1	1	1	1	1	1	1	1	1	1	1		
24	08010 9023	V-BELT		1	1	1	1	1	1	1	1	1	1	1	1		
25	11502 6021	CONNECTING ROD ASS'Y		4	4	4	4	4	4	4	4	4	4	4	4		
25	11502 6160	CONNECTING ROD ASS'Y		4	4	4	4	4	4	4	4	4	4	4	4		
26	19851 6020	BUSH		4	4	4	4	4	4	4	4	4	4	4	4		
27	11517 6032	CONNECTING ROD BOLT		8	8	8	8	8	8	8	8	8	8	8	8		
28	19851 6091	METAL; S.T.D		4	4	4	4	4	4	4	4	4	4	4	4		
28	19851 6480	METAL; U.S.0.25		4	4	4	4	4	4	4	4	4	4	4	4		
28	19851 6490	METAL; U.S.0.50		4	4	4	4	4	4	4	4	4	4	4	4		
28	19851 6880	METAL; S.T.D		4	4	4	4	4	4	4	4	4	4	4	4		
28	19851 6884	METAL; U.S.0.25		4	4	4	4	4	4	4	4	4	4	4	4		
28	19851 6887	METAL; U.S.0.50		4	4	4	4	4	4	4	4	4	4	4	4		
29	19851 6091	METAL; S.T.D		4	4	4	4	4	4	4	4	4	4	4	4		
29	19851 6480	METAL; U.S.0.25		4	4	4	4	4	4	4	4	4	4	4	4		
29	19851 6490	METAL; U.S.0.50		4	4	4	4	4	4	4	4	4	4	4	4		
30	11531 7290	PISTON		4	4	4	4	4	4	4	4	4	4	4	4		
30	11531 7390	PISTON		4	4	4	4	4	4	4	4	4	4	4	4		
30	11531 7300	PISTPN		4	4	4	4	4	4	4	4	4	4	4	4		
31	11510 6820	RING KIT		4	4	4	4	4	4	4	4	4	4	4	4		
31	11510 6821	RING KIT		4	4	4	4	4	4	4	4	4	4	4	4		
31	11510 7070	RING KIT		4	4	4	4	4	4	4	4	4	4	4	4		
31	11510 7071	RING KIT		4	4	4	4	4	4	4	4	4	4	4	4		
32	11532 6071	PISTON PIN		4	4	4	4	4	4	4	4	4	4	4	4		
32	11532 6210	PISTON PIN		4	4	4	4	4	4	4	4	4	4	4	4		
33	03650 0032	SNAP RING		8	8	8	8	8	8	8	8	8	8	8	8		
34	11015 6040	HOLDER ASS'Y		1	1	1	1	1	1	1	1	1	1	1	1		
34	11015 6041	HOLDER ASS'Y		1	1	1	1	1	1	1	1	1	1	1	1		
35	03050 0612	DOWEL PIN		6	6	6	6	6	6	6	6	6	6	6	6		
36	01131 1245	BOLT		6	6	6	6	6	6	6	6	6	6	6	6		



08. CRANKSHAFT, PISTON



BINDER NO.
1SP3002

(1 - 31)

SUPPLEMENT NO.



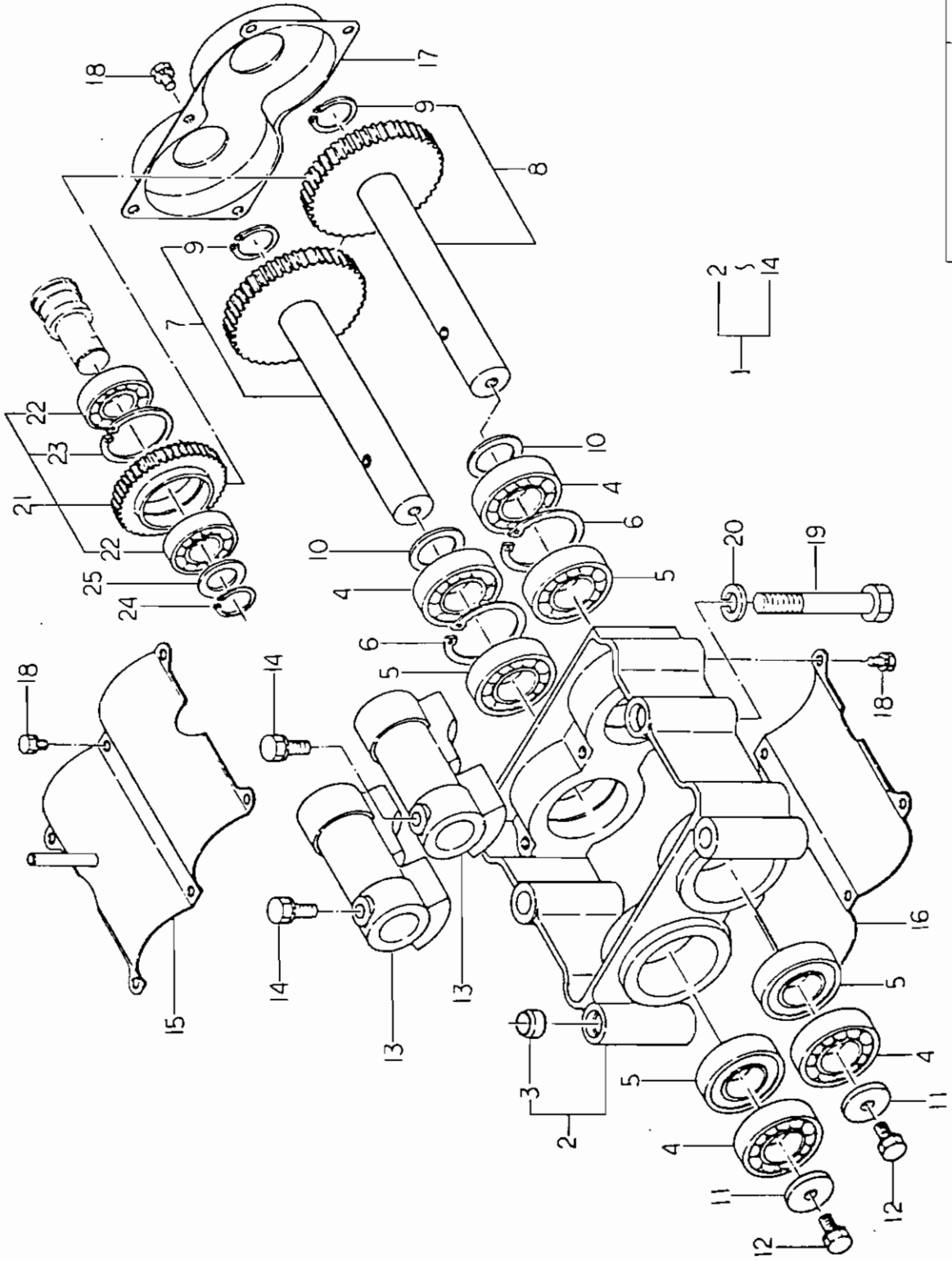
08. CRANKSHAFT, PISTON

管理コード

REF.NO.	CODE NO.	PART	NAME	Qty										Min.Qty	REMARKS		
				S	D	S	D	S	D	S	D	S	D				
37	11015 6020	HOLDER ASSY		1	1	1	1	1	1	1	1	1	1	1			
37	11015 6021	HOLDER ASSY		1	1	1	1	1	1	1	1	1	1	1			
38	11015 6010	HOLDER ASSY		1	1	1	1	1	1	1	1	1	1	1			
38	11015 6011	HOLDER ASSY		1	1	1	1	1	1	1	1	1	1	1			
39	19851 6770	METAL; S.T.D		3	3												TIME OF SUPPLY 1987.8
39	19851 7150	METAL; S.T.D															TIME OF SUPPLY 1987.8
39	19851 6780	METAL; U.S. 0.25		3	3												
39	19851 7154	METAL; U.S. 0.25		3	3												
39	19851 6790	METAL; U.S. 0.50		3	3												
39	19851 7157	METAL; U.S. 0.50		3	3												
39	19851 6910	METAL; S.T.D															
39	19851 6914	METAL; U.S. 0.25															
39	19851 6917	METAL; U.S. 0.50															
40	19851 6770	METAL; S.T.D		3	3												
40	19851 6780	METAL; U.S. 0.25		3	3												
40	19851 6790	METAL; U.S. 0.25		3	3												
40	19851 6270	METAL; S.T.D															
40	19851 6670	METAL; U.S. 0.25															
40	19851 6680	METAL; U.S. 0.50															
41	19926 6060	THRUST WASHER		2	2												
42	19926 6070	THRUST WASHER		2	2												
43	19943 6120	BOLT		1	1												
44	01011 1260	BOLT		2	2												
45	02710 0012	SPRING WASHER		3	3												
46	03410 9026	KEY		1	1												
47	11501 6470	PISTON ASS'Y		4	4												
47	11501 6660	PISTON KIT															
47	11501 6480	PISTON ASS'Y															



09. BALANCER



BINDER NO.
ISP3002

SUPPLEMENT NO.



09. BALANCER

管理コード

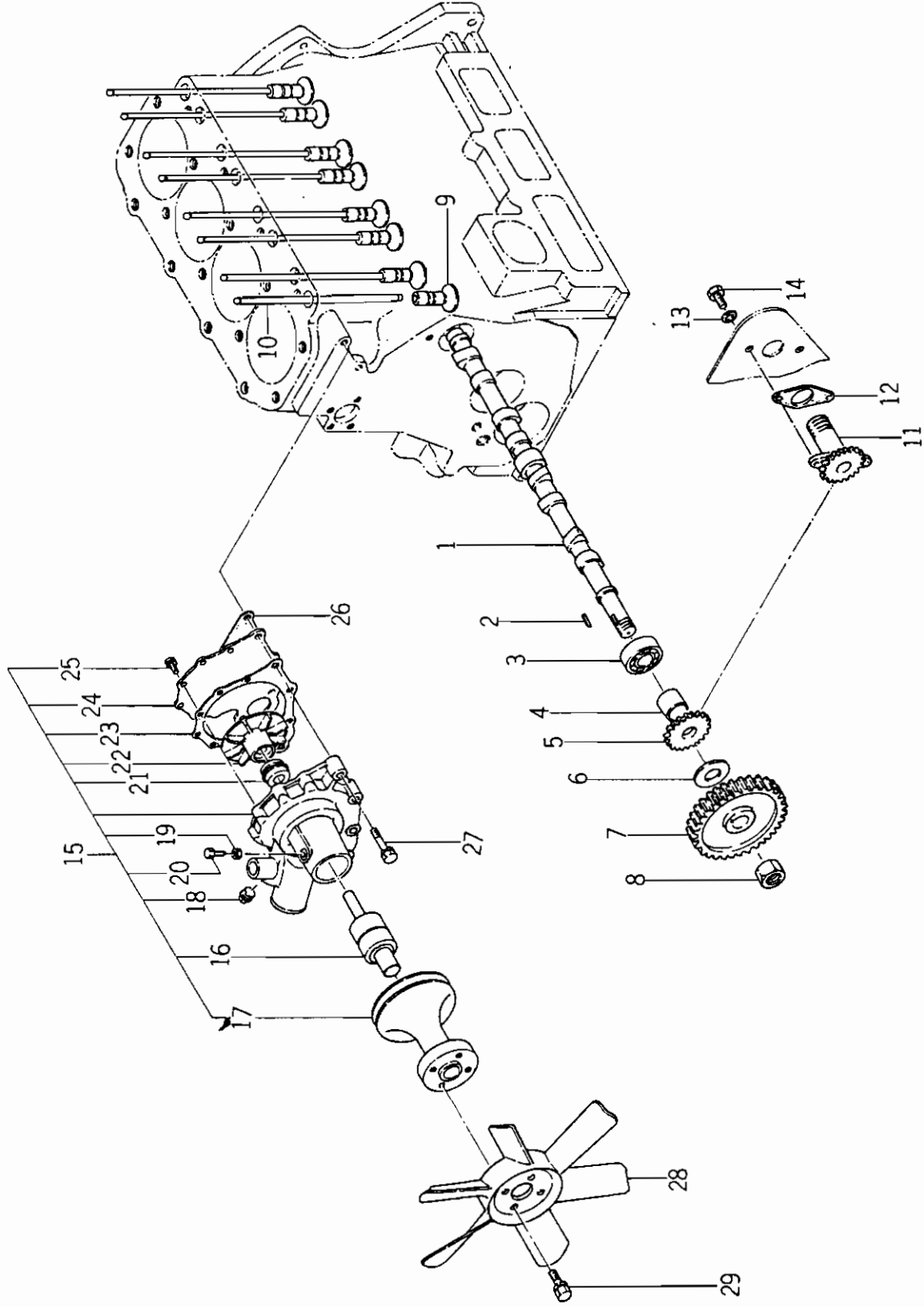
REF.NO.	CODE NO.	PART	NAME	Qty												Min.Qty	REMARKS
				S	D	S	D	S	D	S	D	S	D	S	D		
1	16503 6060	BALANCER ASS'Y		1		1											
1	16503 6020	BALANCER ASS'Y				1		1									
2	16532 6040	HOUSING COMPL		1		1		1									
3	03050 9013	DOWEL PIPE		2		2		2									
4	04010 6205	BEARING		4		4		4									
5	04011 6205	BEARING		4		4		4									
6	03650 0052	SNAP RING		2		2		2									
7	16545 6030	SHAFT COMPL		1		1		1									
8	16545 6020	SHAFT COMPL		1		1		1									
9	03610 0024	SNAP RING		2		2		2									
10	19926 0030	THRUST WASHER		2		2		2									
11	02610 9011	WASHER		2		2		2									
12	01131 0816	BOLT		2		2		2									
13	16531 6120	BALANCER		2		2		2									
13	16531 6091	BALANCER		2		2		2									
14	01131 0820	BOLT		2		2		2									
15	16535 6020	COVER COMPL		1		1		1									
16	16536 6040	COVER		1		1		1									
17	16536 6050	COVER		1		1		1									
18	01114 0610	BOLT		17		17		17									
19	01011 1290	BOLT		4		4		4									
20	02710 0012	SPRING WASHER		4		4		4									
21	16502 6050	IDLE GEAR ASS'Y		1		1		1									
22	04010 6004	BEARING		2		2		2									
23	03650 0042	SNAP RING		1		1		1									
24	03610 0020	SNAP RING		1		1		1									
25	19926 0020	THRUST WASHER		1		1		1									

BINDER NO.
ISP3002

SUPPLEMENT NO.



10. CAMSHAFT, WATER PUMP



BINDER NO.	ISP3002
------------	---------

SUPPLEMENT NO.	
----------------	--

10. CAMSHAFT, WATER PUMP

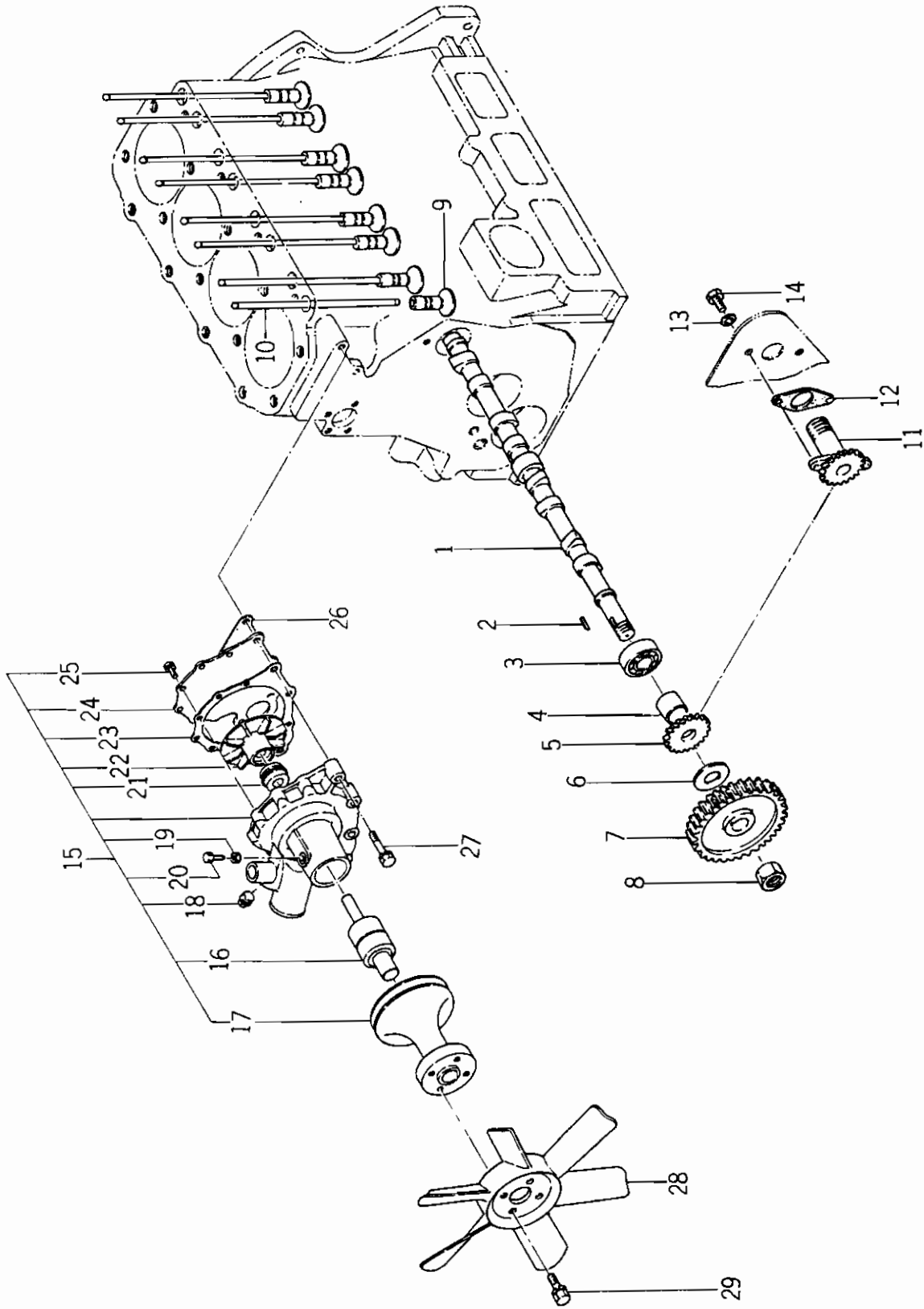


管理コード

REF.NO	CODE NO.	PART	NAME	Q'ty										REMARKS		
				S	D	S	D	S	D	S	D	S	D			
1	12026 6280	CAMSHAFT		4300	4340	4500	4540	5000T	5040T							
2	03410 9005	KEY		1	1	1	1	1	1	1	1	1	1			
3	04010 6204	BEARING		1	1	1	1	1	1	1	1	1	1			
4	19923 6090	COLLER		1	1	1	1	1	1	1	1	1	1			
5	12073 6031	GEAR		1	1	1	1	1	1	1	1	1	1			
6	19921 6030	SPACER		1	1	1	1	1	1	1	1	1	1			
7	12027 6020	CAMSHAFT GEAR		1	1	1	1	1	1	1	1	1	1			
8	02040 0020	NUT		1	1	1	1	1	1	1	1	1	1			
9	12011 6070	TAPPET		8	8	8	8	8	8	8	8	8	8			
10	12045 6020	PUSHROD		8	8	8	8	8	8	8	8	8	8			
11	12007 6020	SHAFT ASS'Y		1	1	1	1	1	1	1	1	1	1			
12	12099 6010	GASKET		1	1	1	1	1	1	1	1	1	1			
13	19899 6020	GASKET		2	2	2	2	2	2	2	2	2	2			
14	01010 0612	BOLT		2	2	2	2	2	2	2	2	2	2			
15	14501 6211	WATER PUMP ASS'Y		1	1	1	1	1	1	1	1	1	1			
16	14515 6010	WATER PUMP SHAFT		1	1	1	1	1	1	1	1	1	1			
17	14533 6332	FAN PULLEY		1	1	1	1	1	1	1	1	1	1			
18	06450 0030	PLUG		1	1	1	1	1	1	1	1	1	1			
19	02030 0006	NUT		1	1	1	1	1	1	1	1	1	1			
20	19943 6040	SET SCREW		1	1	1	1	1	1	1	1	1	1			
21	14512 6010	MECHANICAL SEAL		1	1	1	1	1	1	1	1	1	1			
22	14511 6040	WATER PUMP IMPELLER		1	1	1	1	1	1	1	1	1	1			
23	14599 6180	GASKET		1	1	1	1	1	1	1	1	1	1			
24	14514 6050	SET PLATE		1	1	1	1	1	1	1	1	1	1			
25	01110 0612	BOLT		6	6	6	6	6	6	6	6	6	6			
26	14599 6190	GASKET		1	1	1	1	1	1	1	1	1	1			
27	01131 0840	BOLT		6	6	6	6	6	6	6	6	6	6			
28	S 14530 6230	COOLING FAN		1	1	1	1	1	1	1	1	1	1			
28	S 14530 6450	COOLING FAN		1	1	1	1	1	1	1	1	1	1			
28	14530 6250	COOLING FAN		1	1	1	1	1	1	1	1	1	1			TIME OF SUPPLY 1984.2



10. CAMSHAFT, WATER PUMP



BINDER NO.
ISP3002

SUPPLEMENT NO.

(1 - 36A)



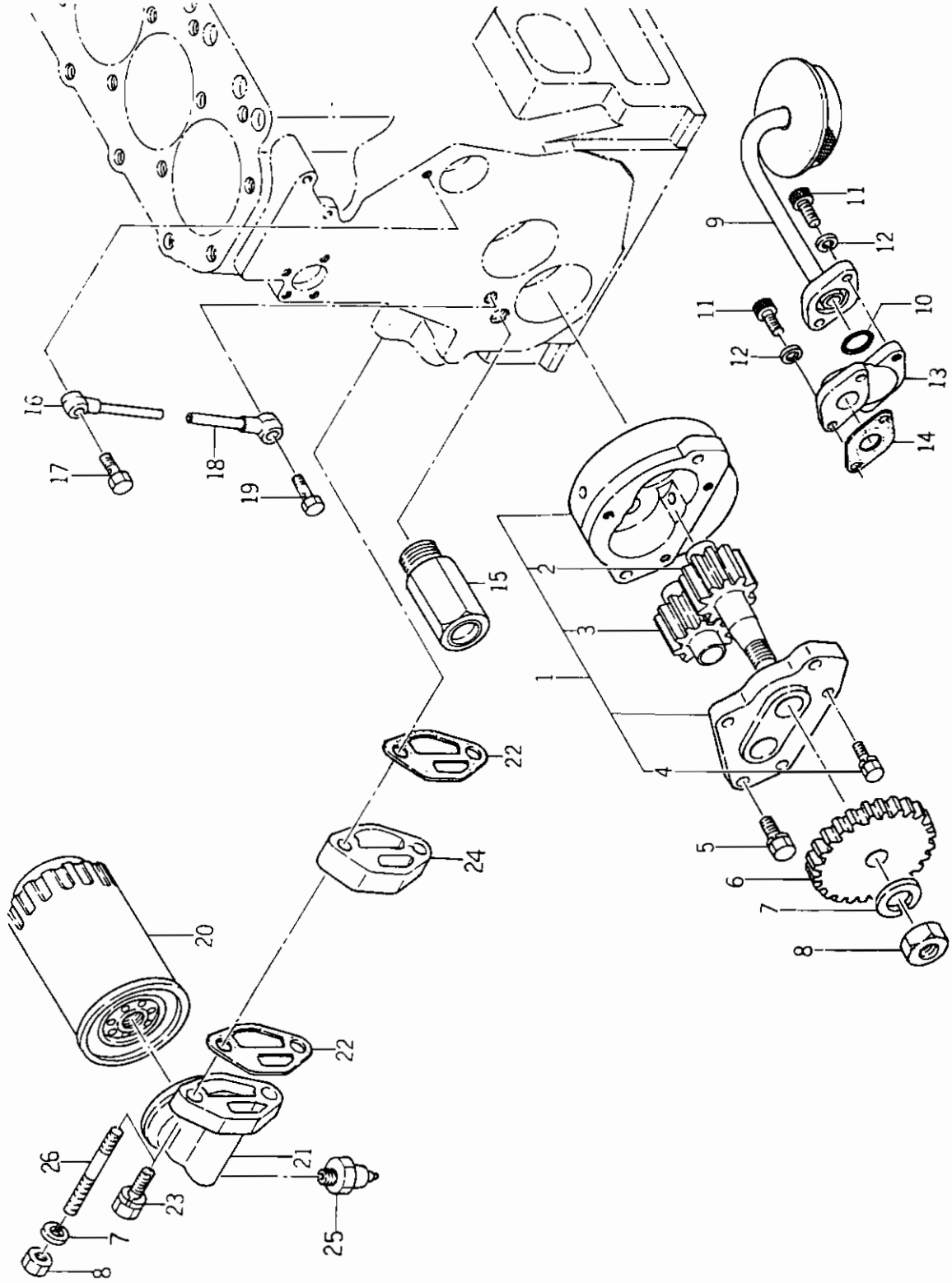
10. CAMSHAFT, WATER PUMP

管理コード

REF.NO.	CODE NO.	PART	NAME	Qty						Min.Qty	REMARKS
				S D	S D	S D	S D	S D	S D		
29	01130 0825	BOLT		4300	4340	4500	4540	5000T	5040T		
				4	4	4	4	4	4		



11. OIL PUMP



BINDER NO.
ISP3002

(1 - 37)

SUPPLEMENT NO.

11. OIL PUMP



管理コード

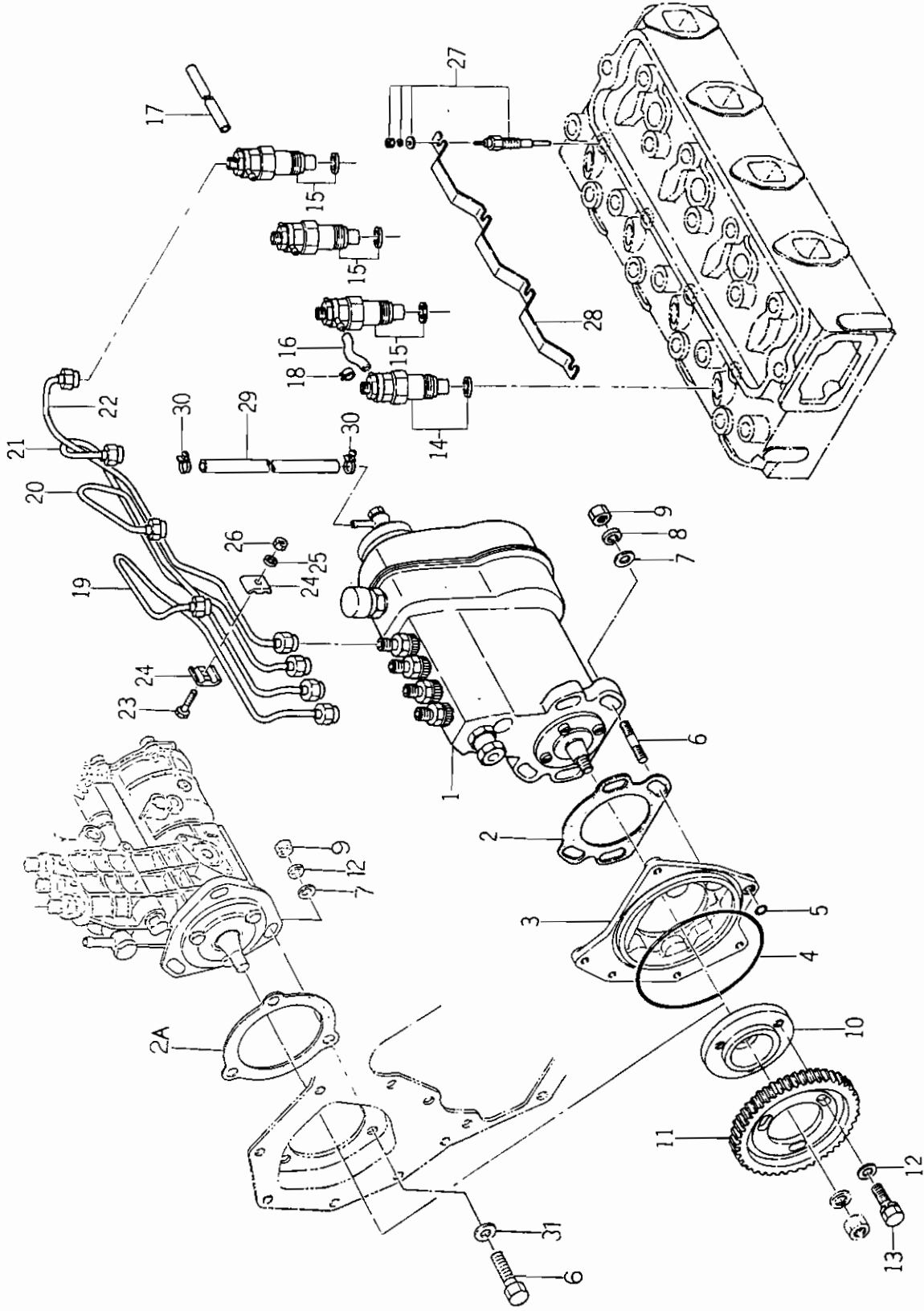
REFNO.	CODE NO.	PART	NAME	Qty												REMARKS
				S	D	S	D	S	D	S	D	S	D	S	D	
1	14001 6090	OIL PUMP ASS'Y		1	1	1	1	1	1	1	1	1	1	1	1	
2	14012 6170	OIL PUMP GEAR		1	1	1	1	1	1	1	1	1	1	1	1	
3	14012 6160	OIL PUMP GEAR		1	1	1	1	1	1	1	1	1	1	1	1	
4	01114 0616	BOLT		3	3	3	3	3	3	3	3	3	3	3	3	
5	01130 0828	BOLT		2	2	2	2	2	2	2	2	2	2	2	2	
6	14012 6062	OIL PUMP GEAR		1	1	1	1	1	1	1	1	1	1	1	1	
7	02710 0010	SPRING WASHER		1	1	1	1	1	1	1	1	1	1	1	1	
8	02020 0010	NUT		1	1	1	1	1	1	1	1	1	1	1	1	
9	14040 6210	SUCTION FILTER		1	1	1	1	1	1	1	1	1	1	1	1	
10	05210 0180	O-RING		1	1	1	1	1	1	1	1	1	1	1	1	
11	01070 0620	BOLT		4	4	4	4	4	4	4	4	4	4	4	4	
12	02710 0006	SPRING WASHER		4	4	4	4	4	4	4	4	4	4	4	4	
13	14042 6041	FILTER HOLDER		1	1	1	1	1	1	1	1	1	1	1	1	
14	14099 6040	GASKET		1	1	1	1	1	1	1	1	1	1	1	1	
15	14003 6100	RELIEF VALVE ASS'Y		1	1	1	1	1	1	1	1	1	1	1	1	
16	14060 6030	OIL PIPE		1	1	1	1	1	1	1	1	1	1	1	1	
17	19848 6070	EYE BOLT		1	1	1	1	1	1	1	1	1	1	1	1	
18	14060 6020	OIL PIPE		1	1	1	1	1	1	1	1	1	1	1	1	
19	19848 6080	EYE BOLT		1	1	1	1	1	1	1	1	1	1	1	1	
20	14051 6090	OIL FILTER		1	1	1	1	1	1	1	1	1	1	1	1	
20	14051 6140	OIL FILTER				1	1	1	1	1	1	1	1	1	1	(a)
21	14052 6051	HOLDER				1	1	1	1	1	1	1	1	1	1	(b)
21	14052 6080	HOLDER		1	1	1	1	1	1	1	1	1	1	1	1	
22	14099 6090	GASKET		1	1	1	1	1	1	1	1	1	1	1	1	
23	01130 1035	BOLT		2	2	2	2	2	2	2	2	2	2	2	2	
24	14053 6090	HOLDER				1	1	1	1	1	1	1	1	1	1	(b)
25	18524 6050	OIL PRESSUER UNIT		1	1	1	1	1	1	1	1	1	1	1	1	
26	01210 1060	STUD BOLT				2	2	2	2	2	2	2	2	2	2	

(a) ILEP854 ~EN10488 (b) ILEP854 EN10489~

BINDER NO.	SUPPLEMENT NO.
1SP3002	



12. INJECTION PIPE, PUMP, GEAR



SUPPLEMENT NO.	

BINDER NO.
ISP3002

12. INJECTION PIPE, PUMP, GEAR

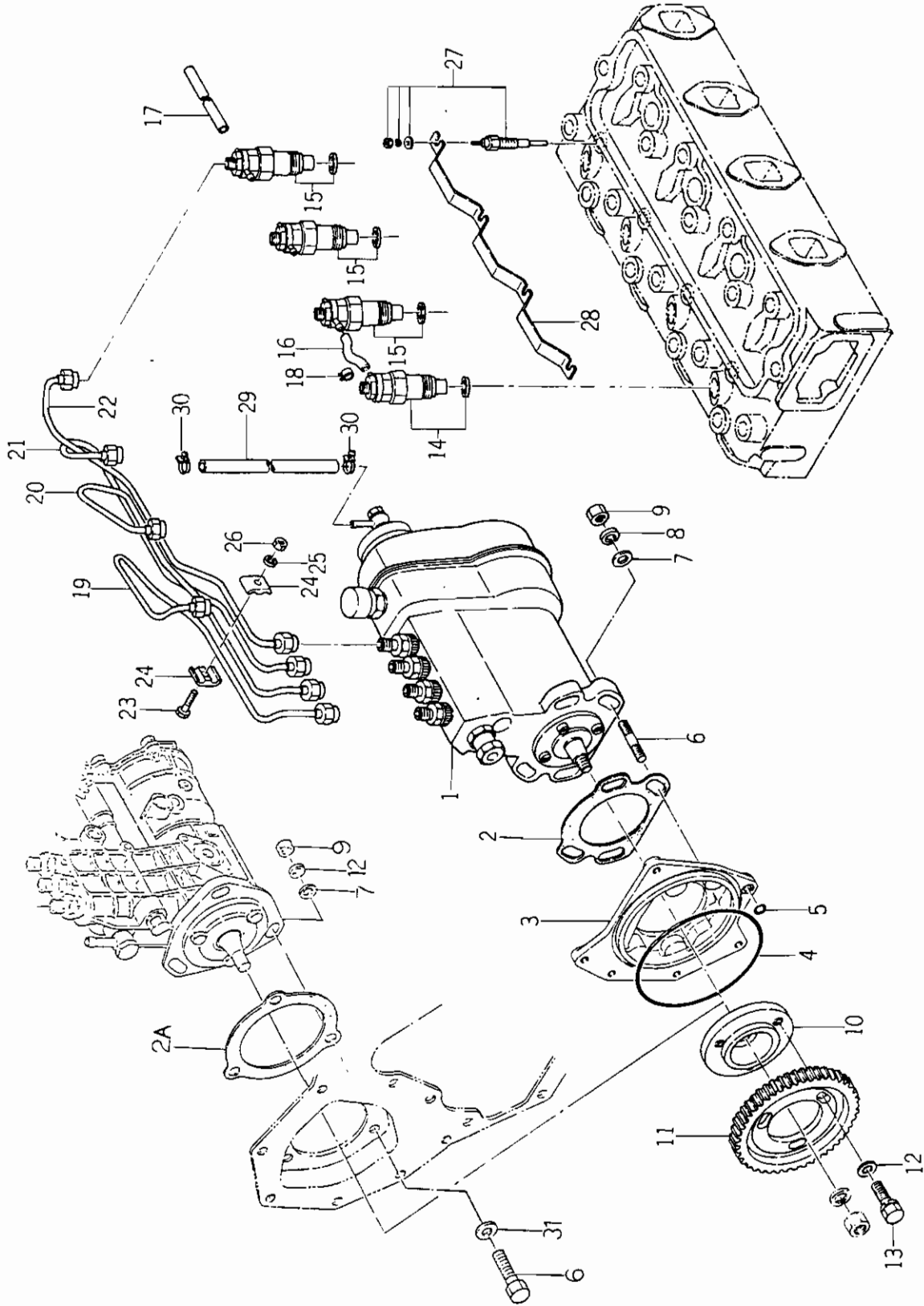


管理コード

REF.NO.	CODE NO.	PART	NAME	Qty										REMARKS	
				S	D	S	D	S	D	S	D	S	D		Min.Qty
1	13101 7230	INJECTION PUMP ASS'Y													
1	13101 6840	INJECTION PUMP ASS'Y		1	1										
1	13101 6741	INJECTION PUMP ASS'Y				1									
2A	13199 6040	GASKET				1									
2A	13199 6041	GASKET				1									Φ Feb., 1987
2	13199 6011	GASKET		1											
3	13171 6040	FLANGE		1											
4	05230 1250	O-RING		1											
5	05210 0100	O-RING		1											
6	01010 0825	BOLT				3									
6	01211 1035	STUD BOLT		4											
7	02610 0008	WASHER		4		3									
7	02610 0010	WASHER		4											
8	02710 0010	SPRING WASHER		4											
9	02010 0008	NUT				3									
9	02020 0010	NUT		4											
10	13172 6030	COUPLING				1									
10	13172 6050	COUPLING		1											
11	13173 6020	INJECTION PUMP GEAR		1		1									
11	13173 6060	INJECTION PUMP GEAR		1											
12	02610 0008	SPRING WASHER		3		6									
13	01130 0820	BOLT				3									
14	13140 6220	INJECTOR		1		1									
15	13140 6230	INJECTOR		3		3									
16	06820 9026	RUBBER TUBE		3		3									TIME OF SUPPLY 1984, 2
16	06820 9097	RUBBER TUBE		3		3									TIME OF SUPPLY 1984, 2
17	06820 9029	RUBBER TUBE		1		1									
17	06820 9041	RUBBER TUBE		1		1									
18	19834 6010	CLIP		8		8									
19	13150 6750	INJECTION PIPE				1									



12. INJECTION PIPE, PUMP, GEAR



BINDER NO.
1 SP 3 0 0 2

(1 - 41)

SUPPLEMENT NO.

12. INJECTION PIPE, PUMP, GEAR

管理コード

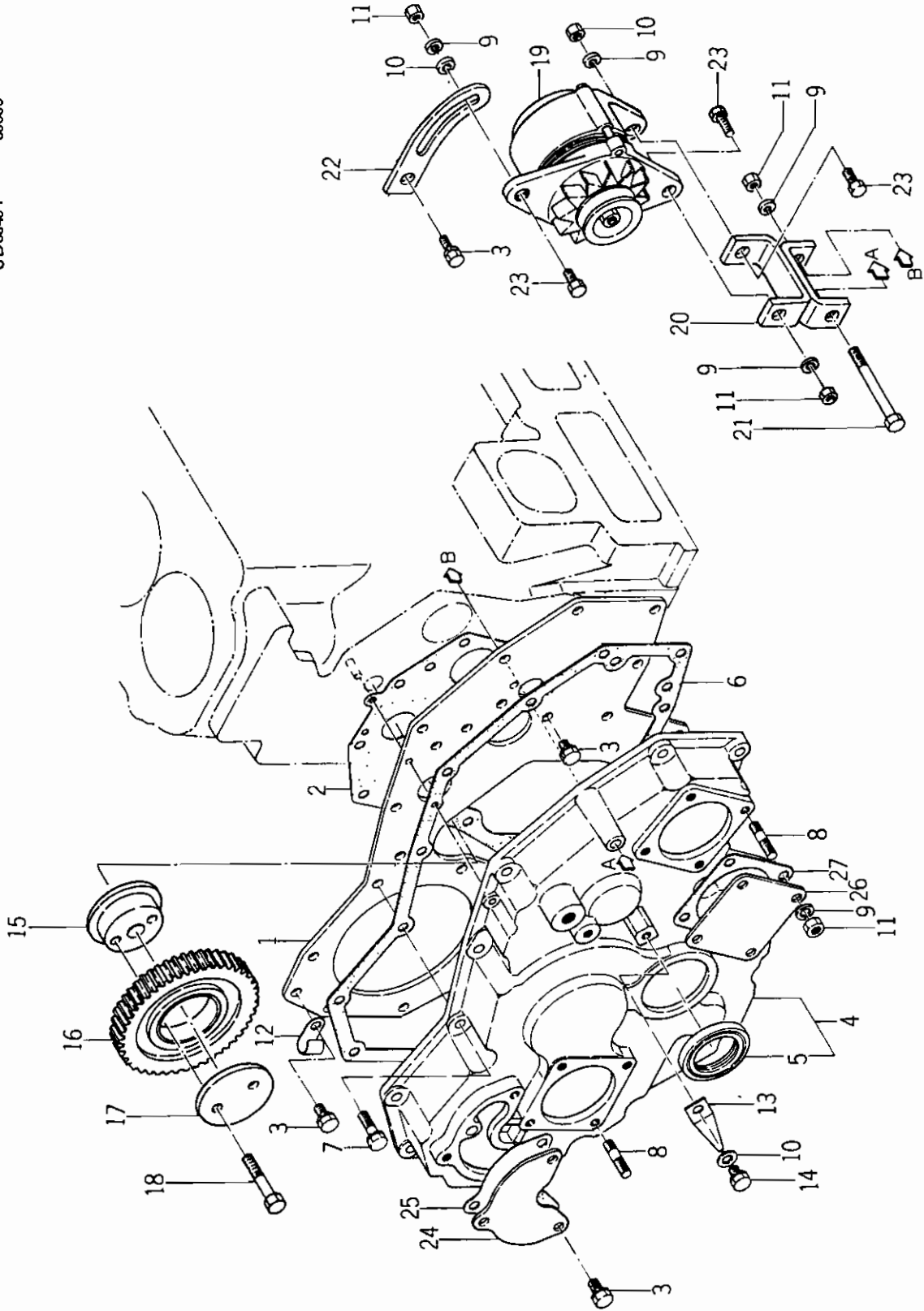
REF.NO.	CODE NO.	PART	NAME	Qty										REMARKS	
				S D 4300	S D 4340	S D 4500	S D 4540	S D 5000T	S D 5040T	Min.Qty					
19	13150 6550	INJECTION PIPE		1	1										
20	13150 6760	INJECTION PIPE		1	1										
20	13150 6560	INJECTION PIPE		1	1										
21	13150 6770	INJECTION PIPE		1	1										
21	13150 6570	INJECTION PIPE		1	1										
22	13150 6780	INJECTION PIPE		1	1										
22	13150 6580	INJECTION PIPE		3	3										
23	01010 0625	BOLT		6	6										
24	19910 6020	CLAMP COMPL		3	3										
25	02710 0006	SPRING WASHER		3	3										
26	02010 0006	NUT		4	4										
27	18536 6080	GLOW PLUG													
27	18536 6090	GLOW PLUG													
27	18536 6091	GLOW PLUG													
28	18537 6090	CONNECTOR		1	1										
29	06820 9059	RUBBER TUBE													
30	19875 6010	HOSE BAND													
31	02510 0008	SEAL WASHER													

Feb., 1987



13. TIMING GEAR CASE

SD5000T ~ 50000
SD5040T ~ 50000



BINDER NO.
ISP3002

(1 - 43)

SUPPLEMENT NO.	No 7 - AUGUST, 1986
----------------	---------------------



13. TIMING GEAR CASE

SD5000T ~50000
SD5040T ~50000

管理コード

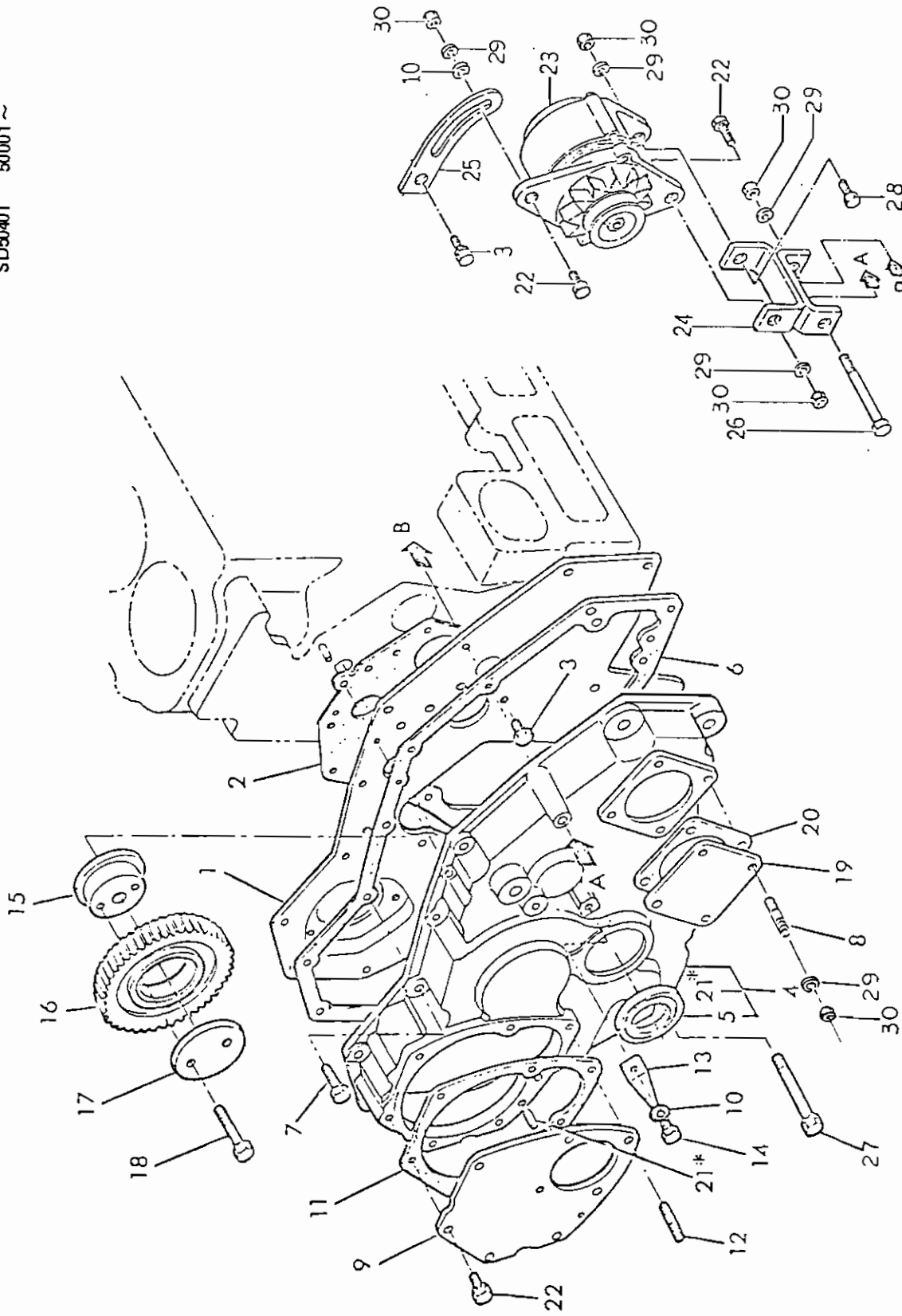
REF.NO	CODE NO.	PART	NAME	Qty										REMARKS	
				S	D	S	D	S	D	S	D	S	D		5000T
1	16515 6070	FRONT PLATE COMPL		1	1	1	1	1	1	1	1	1	1	1	
2	16599 6032	GASKET		1	1	1	1	1	1	1	1	1	1	1	
3	01130 0816	BOLT		12	12	12	12	12	12	12	12	12	12	12	
4	16501 6110	GEAR CASE ASS'Y		1	1	1	1	1	1	1	1	1	1	1	
5	19863 6040	OIL SEAL		1	1	1	1	1	1	1	1	1	1	1	
6	16599 6290	GASKET		1	1	1	1	1	1	1	1	1	1	1	
7	01130 0828	BOLT		14	14	14	14	14	14	14	14	14	14	14	
8	01210 0820	STUD BOLT		6	6	6	6	6	6	6	6	6	6	6	
9	02710 0008	SPRING WASHER		8	8	8	8	8	8	8	8	8	8	8	
10	02610 0008	WASHER		2	2	2	2	2	2	2	2	2	2	2	
11	02010 0008	NUT		8	8	8	8	8	8	8	8	8	8	8	
12	19911 6010	CLAMP		1	1	1	1	1	1	1	1	1	1	1	
13	13180 6010	TOP MARK		1	1	1	1	1	1	1	1	1	1	1	
14	01130 0812	BOLT		1	1	1	1	1	1	1	1	1	1	1	
15	16529 6021	IDLE GEAR SHAFT		1	1	1	1	1	1	1	1	1	1	1	
16	16526 6021	IDLE GEAR		1	1	1	1	1	1	1	1	1	1	1	
17	19956 6010	PLATE		1	1	1	1	1	1	1	1	1	1	1	
18	01011 0870	BOLT		2	2	2	2	2	2	2	2	2	2	2	
18	01011 0865	BOLT		2	2	2	2	2	2	2	2	2	2	2	
19	18504 6150	ALTERNATOR ASS'Y		1	1	1	1	1	1	1	1	1	1	1	
20	18570 6220	HOLDER COMPL		1	1	1	1	1	1	1	1	1	1	1	
21	01011 0885	BOLT		1	1	1	1	1	1	1	1	1	1	1	
22	18572 6190	ADJUSTING PLATE		1	1	1	1	1	1	1	1	1	1	1	
23	01280 0830	BOLT		3	3	3	3	3	3	3	3	3	3	3	
24	16520 6100	COVER		1	1	1	1	1	1	1	1	1	1	1	
25	16599 6280	GASKET		1	1	1	1	1	1	1	1	1	1	1	
26	16520 6010	COVER		1	1	1	1	1	1	1	1	1	1	1	
27	16599 6110	GASKET		1	1	1	1	1	1	1	1	1	1	1	

①



13A. TIMING GEAR CASE

SD5000T 50001 ~
SD5040T 50001 ~



BINDER NO.
ISP3002

SUPPLEMENT NO.

13A. TIMING GEAR CASE



SD5000T
SD5040T

50001~
50001~

管理コード

REF.NO	CODE NO.	PART	NAME	Q'ty										REMARKS	
				S	D	S	D	S	D	S	D	S	D		Min.Qty
1	16515 6180	FRONT PLATE COMPL													
1	16515 6070	FRONT PLATE													
2	16599 6031	GASKET													
2	16599 6032	GASKET													
3	01130 0816	BOLT		1	1	1	1	1	1	1	1	1	1	1	
4	16501 6350	GEAR CASE ASS'Y													
5	19863 6040	OIL SEAL		1	1	1	1	1	1	1	1	1	1	1	
6	16599 6290	GASKET		1	1	1	1	1	1	1	1	1	1	1	
7	01130 0828	BOLT		14	14	14	14	14	14	14	14	14	14	14	
8	01210 0820	STUD BOLT		5	5	5	5	5	5	5	5	5	5	5	
9	16520 6260	COVER		1	1	1	1	1	1	1	1	1	1	1	
10	02610 0008	WASHER		2	2	2	2	2	2	2	2	2	2	2	
11	16599 6340	GASKET		1	1	1	1	1	1	1	1	1	1	1	
12	01210 0830	STUD BOLT		3	3	3	3	3	3	3	3	3	3	3	
13	13180 6010	TOP-MARK		1	1	1	1	1	1	1	1	1	1	1	
14	01130 0812	BOLT		1	1	1	1	1	1	1	1	1	1	1	
15	16529 6021	IDLE GEAR SHAFT		1	1	1	1	1	1	1	1	1	1	1	
16	16526 6021	IDLE GEAR		1	1	1	1	1	1	1	1	1	1	1	
17	19956 6010	PLATE		1	1	1	1	1	1	1	1	1	1	1	
18	01011 0865	BOLT		2	2	2	2	2	2	2	2	2	2	2	
19	16520 6010	COVER		1	1	1	1	1	1	1	1	1	1	1	
20	16599 6110	GASKET		1	1	1	1	1	1	1	1	1	1	1	
21	03050 0616	DOWEL PIN		1	1	1	1	1	1	1	1	1	1	1	
22	01130 0820	BOLT		4	4	4	4	4	4	4	4	4	4	4	
23	18504 6150	ALTERNATOR		1	1	1	1	1	1	1	1	1	1	1	
24	18570 6220	HOLDER		1	1	1	1	1	1	1	1	1	1	1	
25	18572 6190	ADJUSTING PLATE		1	1	1	1	1	1	1	1	1	1	1	
26	01011 0885	BOLT		1	1	1	1	1	1	1	1	1	1	1	
27	01130 0860	BOLT		1	1	1	1	1	1	1	1	1	1	1	
28	01280 0830	BOLT		3	3	3	3	3	3	3	3	3	3	3	

⌀ August., 1986

BINDER NO.
ISP3002

(1 - 46)

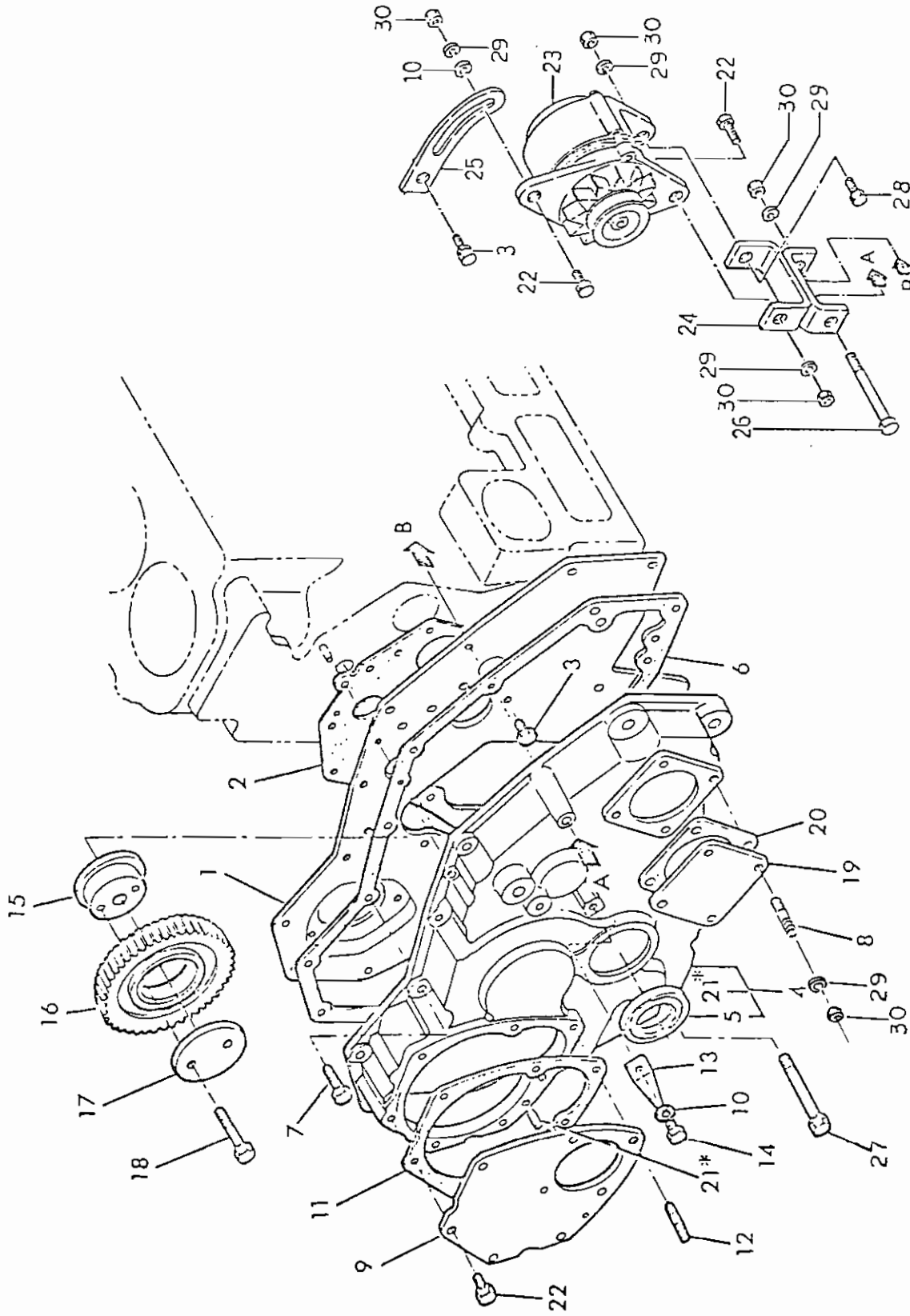
SUPPLEMENT NO.

No.7 - AUGUST, 1986



13A. TIMING GEAR CASE

SD5000T 50001 ~
SD5040T 50001 ~



BINDER NO.
ISP3002

SUPPLEMENT NO.



13A. TIMING GEAR CASE

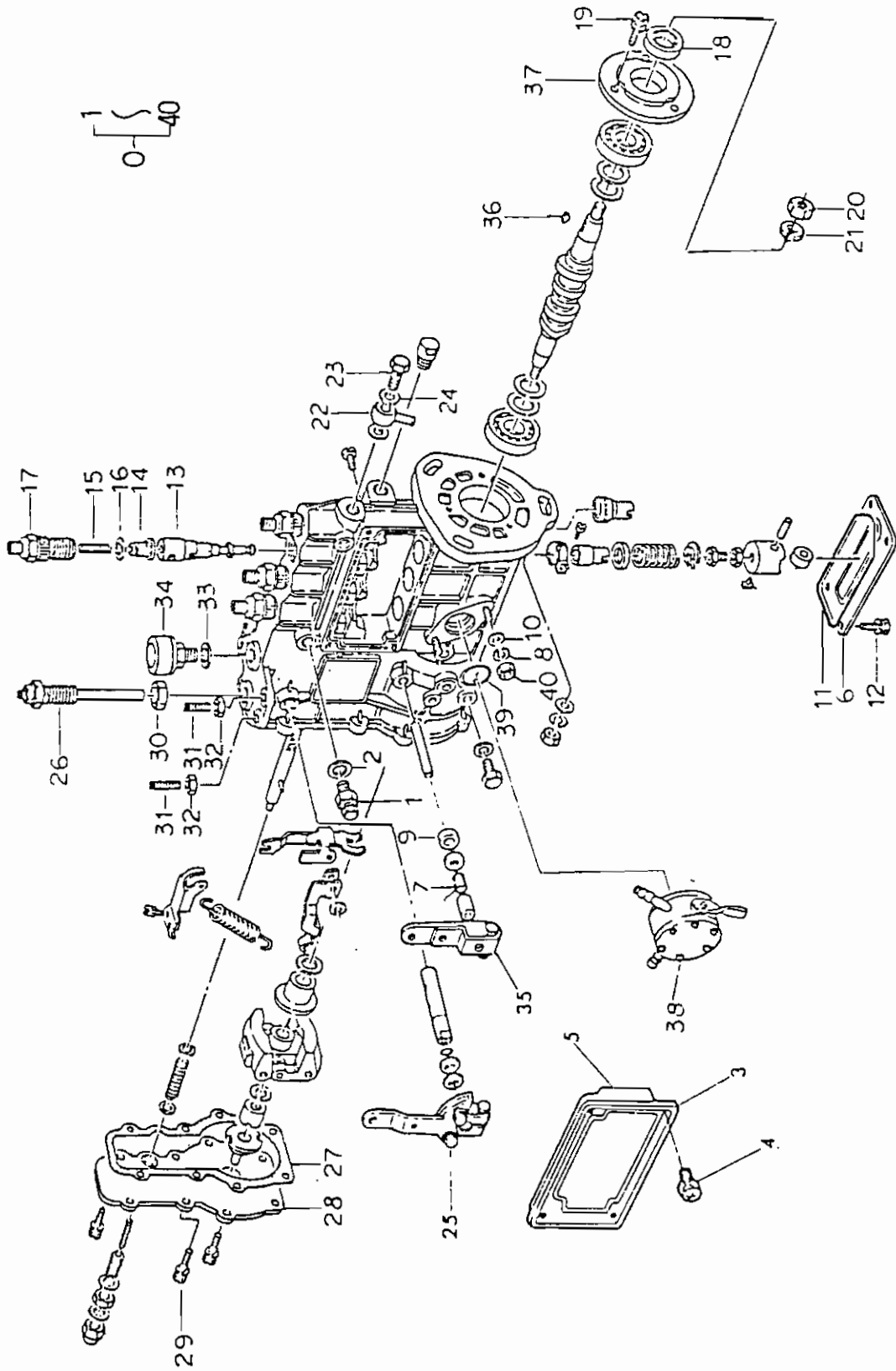
SD5000T 50001 ~
SD5040T 50001 ~

管理コード

REF.NO.	CODE NO.	PART	NAME	Qty									REMARKS
				SD 4300	SD 4340	SD 4500	SD 4640	SD 5000T	SD 5040T	SD	SD	SD	
29	02710 0008	WASHER			8	8	8	8	8	8	8		
30	02010 0008	NUT			8	8	8	8	8	8	8		



14A. INJECTION PUMP



BINDER NO.
ISr 102

(1 - 49)

SUPPLEMENT NO.



14A. INJECTION PUMP

管理コード

REF.NO.	CODE NO.	PART NAME	Qty												REMARKS			
			S	D	S	D	S	D	S	D	S	D	S	D				
0	13101 7230	INJECTION PUMP ASS'Y																
1	13129 6028	BOLT																
2	13129 6255	GASKET																
3	13129 6639	COVER																
4	01514 0510	SCREW																
5	13129 6640	SEAL RING																
6	13129 6641	COVER																
7	13117 6270	SPRING																
8	02710 0008	SPRING WASHER																
9	13129 6491	OIL SEAL																
10	02610 0008	WASHER																
11	13129 6642	SEAL RING																
12	01514 0510	SCREW																
13	13111 6140	PLUNGER ASS'Y																
14	13115 6070	VALVE																
15	13117 6010	SPRING																
16	13142 6020	GASKET																
17	13119 6010	HOLDER																
18	13129 6061	OIL SEAL																
19	01114 0614	BOLT																
20	02010 9001	NUT																
21	02710 0012	SPRING WASHER																
22	13124 6010	EYE																
23	13123 6010	EYE BOLT																
24	13129 6501	GASKET																
25	13129 6260	LEVER																
26	13129 6433	HOLDER																
27	13142 6080	GASKET																
28	13129 6643	COVER																
29	01114 0616	BOLT																

BINDER NO.

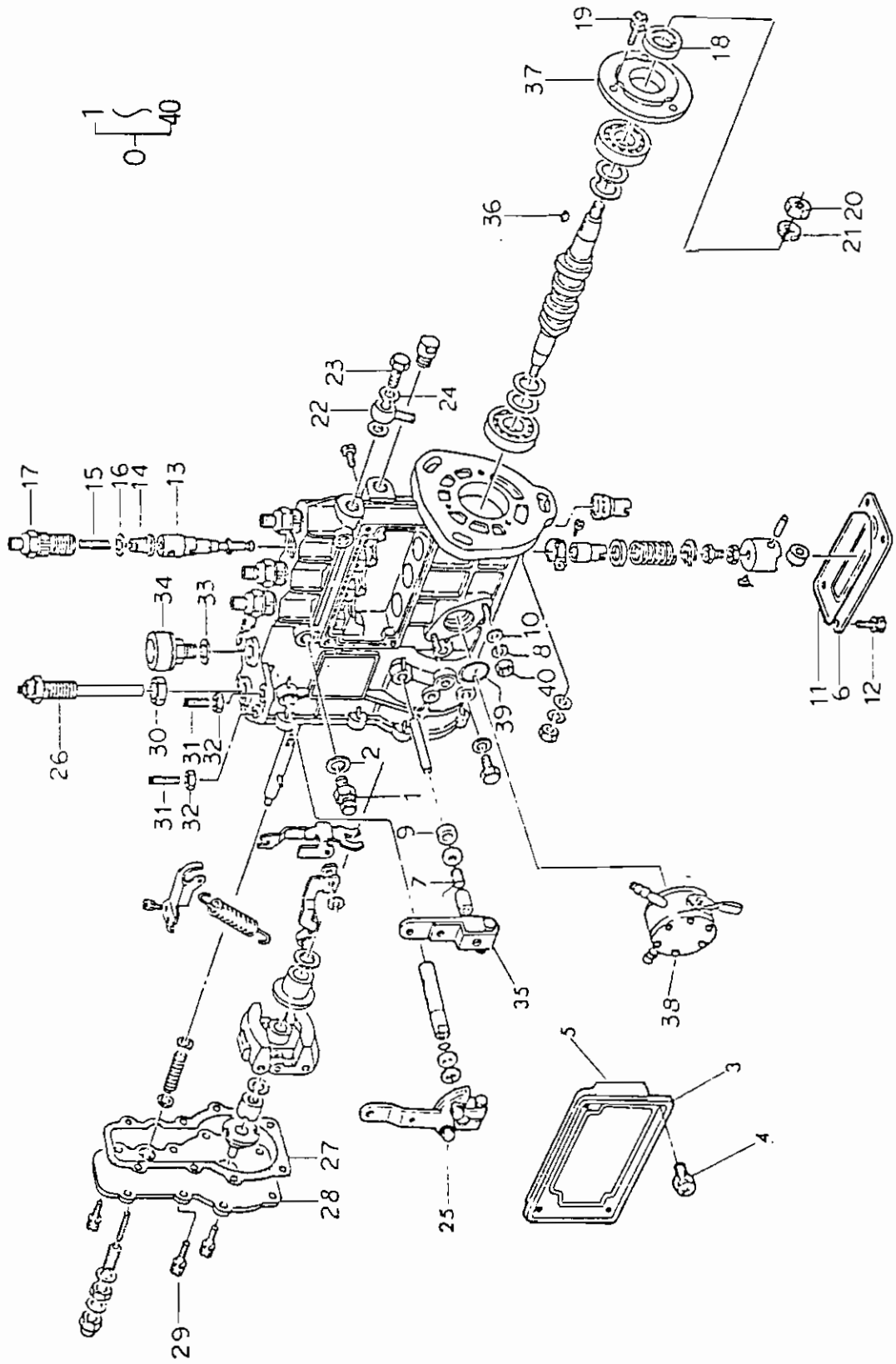
ISP3002

(1 -- 50)

SUPPLEMENT NO.



14A. INJECTION PUMP



BINDER NO.	ISP3002
------------	---------

SUPPLEMENT NO.	
----------------	--

14A. INJECTION PUMP



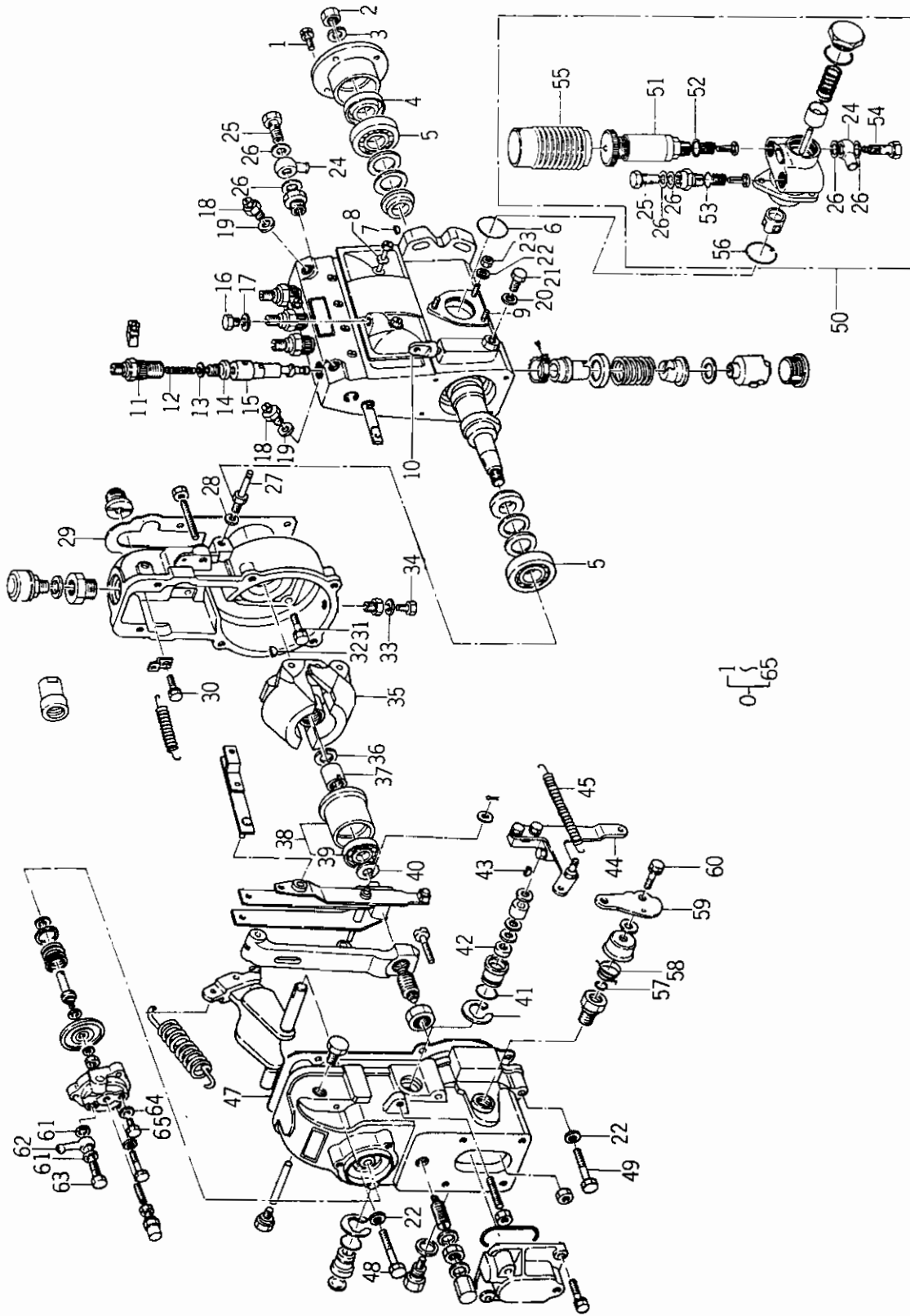
管理コード

REF.NO.	CODE NO.	PART	NAME	Qty										REMARKS		
				S D 4300	S D 4340	S D 4500	S D 4540	S D 5000T	S D 5040T	S D 5040T	S D 5040T	S D 5040T	Min.Qty			
30	13129 6183	LOCK NUT				1										
31	13113 6110	SCREW				2										
32	13129 6088	NUT				2										
33	13129 6255	GASKET				1										
34	13129 6235	PLUG				1										
35	13129 6505	LEVER				1										
36	13129 6002	KEY				1										
37	13129 6548	COVER				1										
38	13050 6121	FEED PUMP ASS'Y				1										
39	13129 6393	O-RING				1										
40	02010 0006	NUT				2										

BINDER NO.	SUPPLEMENT NO.
1 SP3002	



14B. INJECTION PUMP



SUPPLEMENT NO.

BINDER NO.
ISP3002



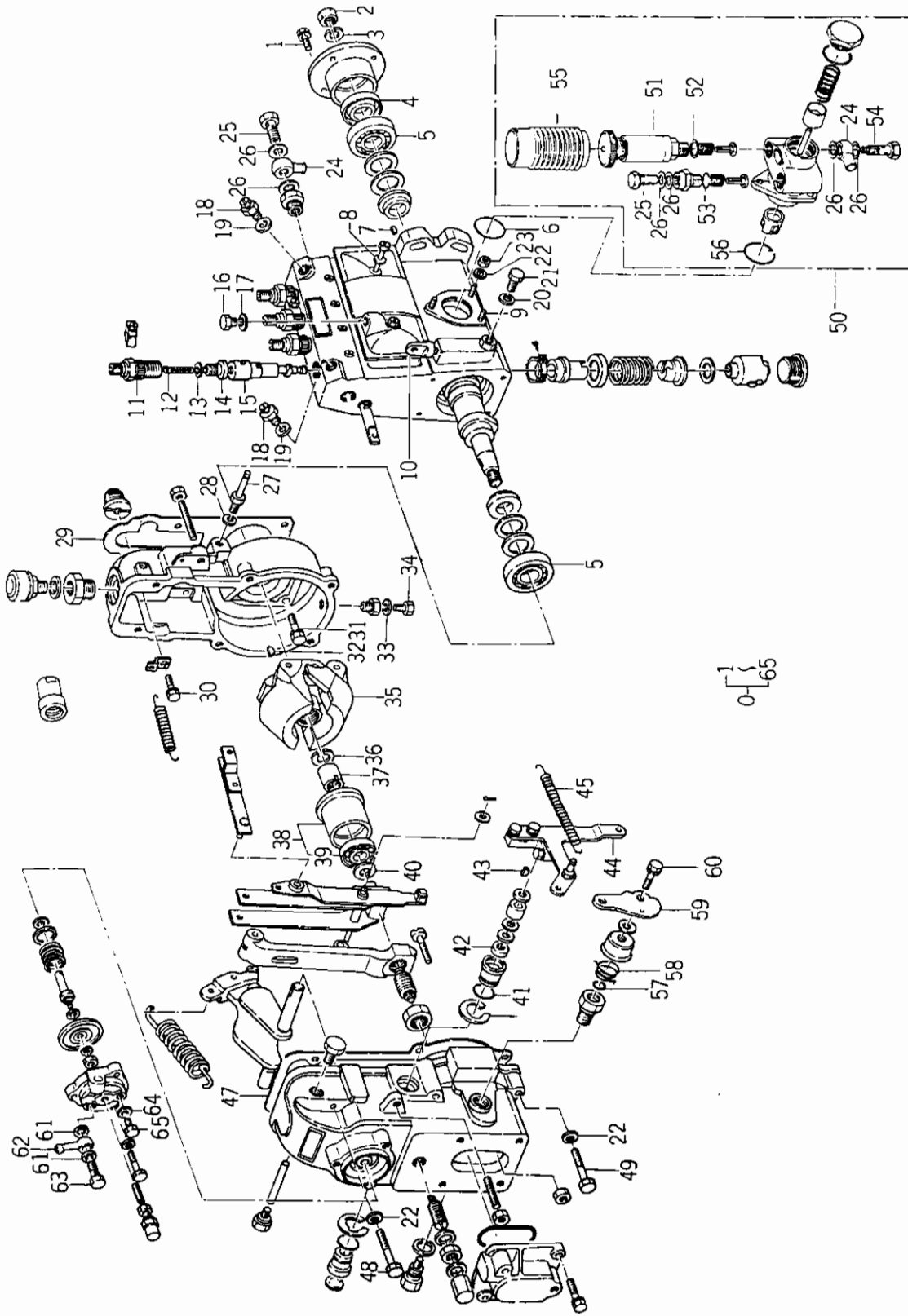
14B. INJECTION PUMP

管理コード

REF.NO.	CODE NO.	PART	NAME	Q'ty												Min.Q'ty	REMARKS
				S	D	S	D	S	D	S	D	S	D	S	D		
0	13101 6840	INJECTION PUMP ASS'Y		1													
0	13101 6741	INJECTION PUMP ASS'Y		3													
1	01114 0614	BOLT		1													
2	02010 9001	NUT		1													
3	02710 0012	SPRING WASHER		1													
4	13129 6061	OIL SEAL		1													
5	13129 6244	BEARING		2													
6	13129 6303	O-RING		1													
7	13129 6002	KEY		1													
8	13129 6222	GASKET		2													
9	01210 0614	STUD BOLT		3													
10	13129 6039	LEVEL GAUGE		1													
11	13119 6020	HOLDER		4													
12	13117 6010	SPRING		4													
13	13118 6020	GASKET		4													
14	13115 6130	DELIVERY VALVE		4													
15	13111 6330	PLANGER ASS'Y		4													
16	13129 6235	PLUG		1													
17	13129 6255	GASKET		1													
18	13129 6028	BOLT		2													
19	13129 6255	GASKET		2													
20	13129 6027	GASKET		1													
21	13129 6026	PLUG		1													
22	02710 0006	SPRING WASHER		9													
23	02010 0006	NUT		3													
24	13124 6090	EYE		2													
25	13051 6016	EYE BOLT		2													
26	13051 6017	GASKET		6													
27	13129 6250	BOLT		1													
28	S 02710 0008	SPRING WASHER		1													



14B. INJECTION PUMP



BINDER NO.
ISP3002

SUPPLEMENT NO.



14B. INJECTION PUMP

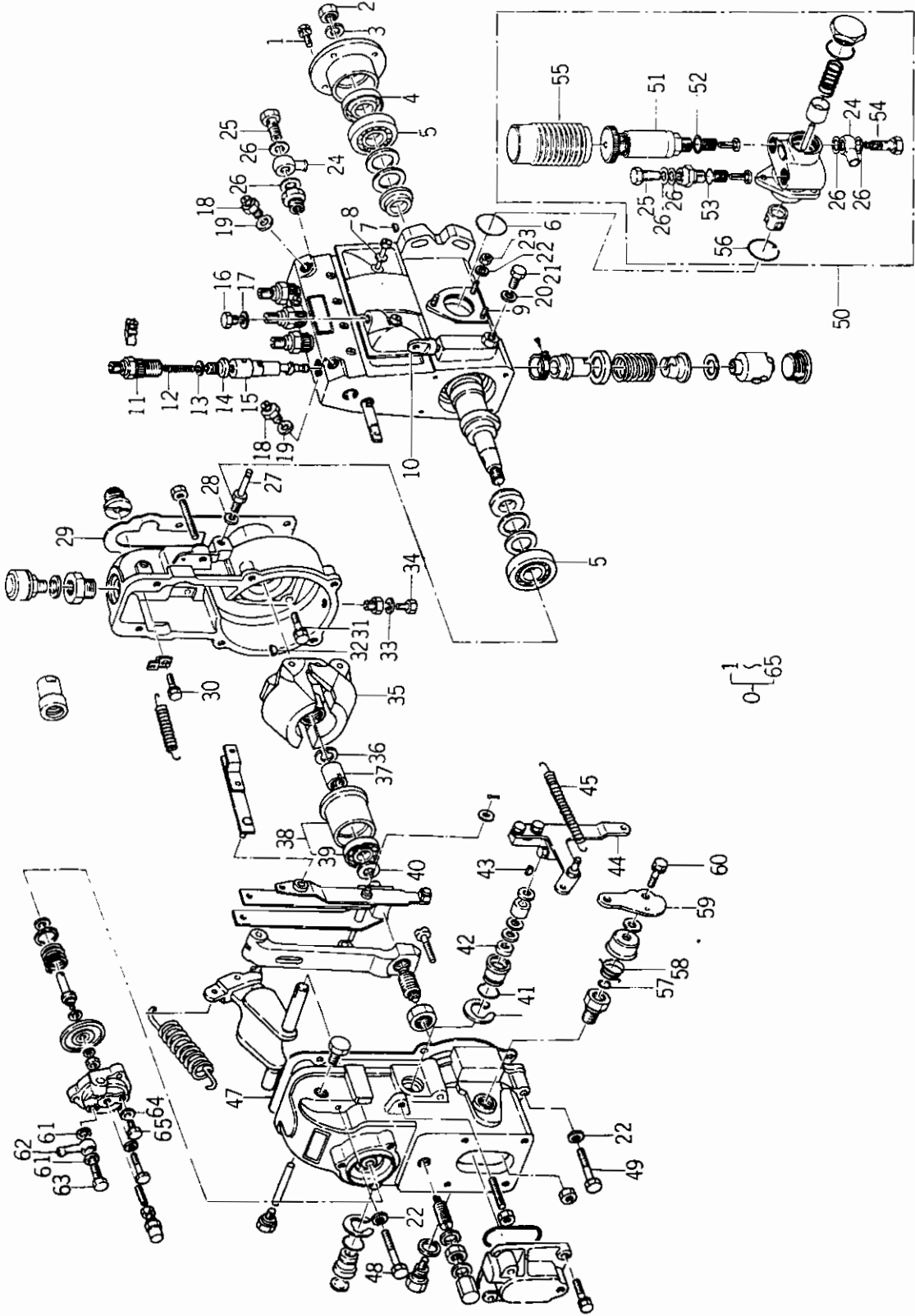
管理コード

REF.NO.	CODE NO.	PART	NAME	Qty												REMARKS
				S	D	S	D	S	D	S	D	S	D	S	D	
29	13129 6242	GASKET		1		1		1		1		1		1		
30	01130 0816	BOLT		1		1		1		1		1		1		
31	01114 0616	BOLT		6		6		6		6		6		6		
32	13129 6002	WOODRUFF KEY		1		1		1		1		1		1		
33	13142 6040	GASKET		1		1		1		1		1		1		
34	13113 6050	PLUG		1		1		1		1		1		1		
35	13129 6239	FLYWEIGHT ASS'Y		1		1		1		1		1		1		
36	02710 0010	SPRING WASHER		1		1		1		1		1		1		
37	13129 6130	NUT		1		1		1		1		1		1		
38	13129 6296	SLEEVE		1		1		1		1		1		1		
39	13129 6240	BEARING		1		1		1		1		1		1		
40	13129 6133	SHIM 0.20		A/R		A/R		A/R		A/R		A/R		A/R		
40	13129 6134	SHIM 0.30		A/R		A/R		A/R		A/R		A/R		A/R		
40	13129 6135	SHIM 0.40		A/R		A/R		A/R		A/R		A/R		A/R		
40	13129 6136	SHIM 1.00		A/R		A/R		A/R		A/R		A/R		A/R		
41	13122 6040	O-RING		2		2		2		2		2		2		
42	13129 6452	OIL SEAL		1		1		1		1		1		1		
43	13129 6030	WOODRUFF KEY		1		1		1		1		1		1		
44	13129 6258	LEVER		1		1		1		1		1		1		
45	13129 6259	SPRING		1		1		1		1		1		1		
46	13129 6462	SNAP RING		2		2		2		2		2		2		
47	13129 6243	GASKET		1		1		1		1		1		1		
48	01010 0650	BOLT		2		2		2		2		2		2		
49	01010 0640	BOLT		4		4		4		4		4		4		
50	13050 6020	FEED PUMP ASS'Y		1		1		1		1		1		1		
51	13051 6014	PRIMING PUMP		1		1		1		1		1		1		
52	13051 6011	GASKET		1		1		1		1		1		1		
53	13051 6012	O-RING		1		1		1		1		1		1		
54	13051 6015	EYE BOLT		1		1		1		1		1		1		
55	13051 6018	COVER		1		1		1		1		1		1		

BINDER NO.	SUPPLEMENT NO.
ISP3002	



14B. INJECTION PUMP



0-1
-65

	SUPPLEMENT NO.
--	----------------

(1 - 57)

BINDER NO.	?
ISP3	

14B. INJECTION PUMP



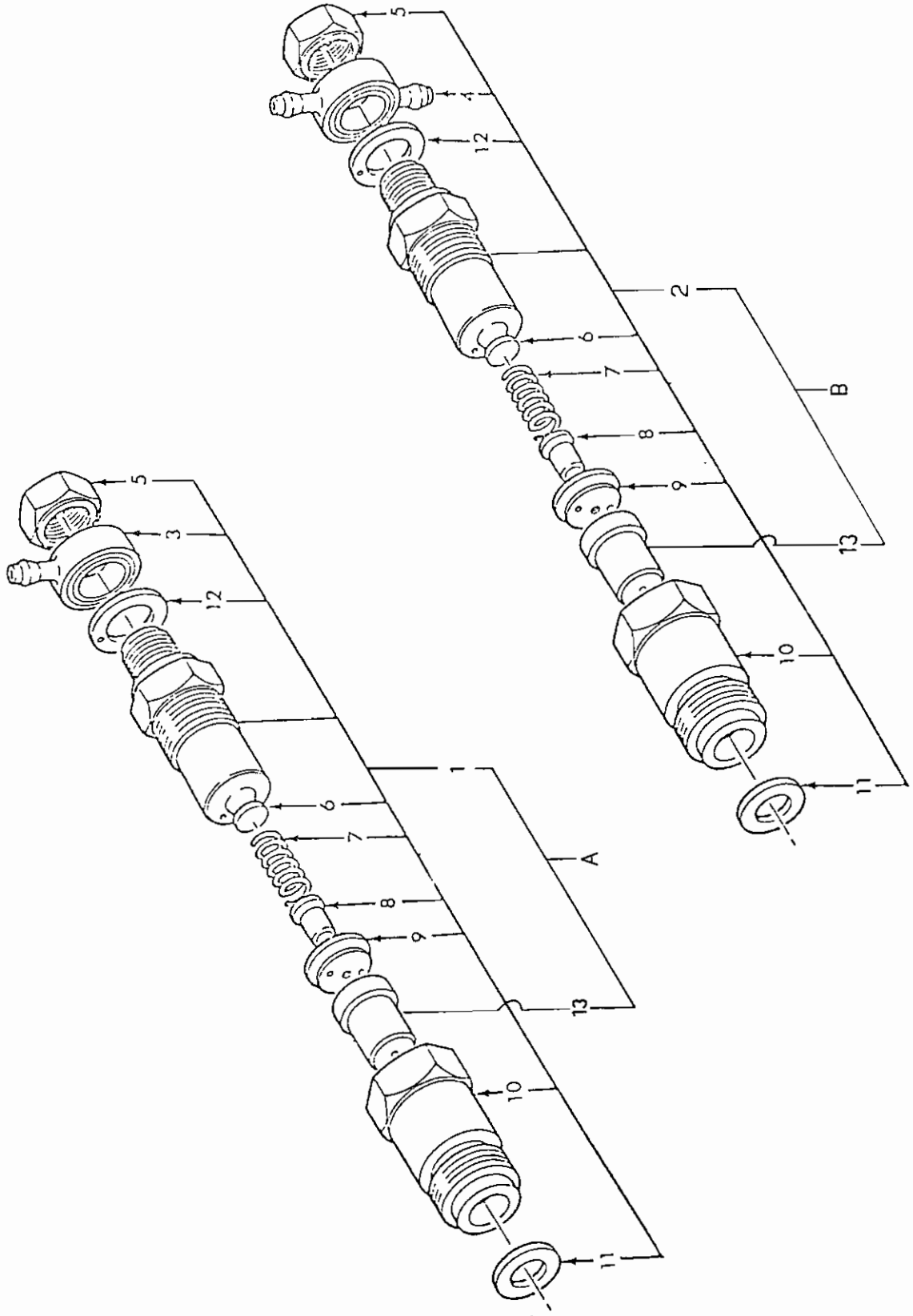
管理コード

REF.NO.	CODE NO.	PART	NAME	Qty										REMARKS		
				S	D	S	D	S	D	S	D	S	D			
56	13051 6013	SNAP RING		4300	4340	4500	4540	5000T	5040T							
57	13122 6150	Q-RING		1	1			1	1							
58	13129 6545	SPRING		1	1											
59	13129 6544	LEVER		1	1											
60	01114 0620	BOLT		1	1											
61	13142 6170	GASKET						2	2							
62	13124 6120	EYE						1	1							
63	13123 6180	EYE BOLT						1	1							
64	13142 6040	GASKET						1	1							
65	13113 6050	PLUG						1	1							

BINDER NO.	SUPPLEMENT NO.
1SP3002	



15. INJECTOR



BINDER NO.
I SP 3 ~ 2

(1 - 59)

SUPPLEMENT NO.



15. INJECTOR

管理コード

REF.NO.	CODE NO.	PART	NAME	Q'ty												Min.Qty	REMARKS
				S	D	S	D	S	D	S	D	S	D	S	D		
A	13140 6220	INJECTOR ASS'Y-SINGLE		1	1	1	1	1	1	1	1	1	1	1	1		
B	13140 6230	INJECTOR ASS'Y-DUAL		3	3	3	3	3	3	3	3	3	3	3	3		
1	13144 6035	HOLDER ASS'Y-SINGLE		1	1	1	1	1	1	1	1	1	1	1	1		
2	13144 8038	HOLDER ASS'Y-DUAL		3	3	3	3	3	3	3	3	3	3	3	3		
3	13144 6005	JOINT-SINGLE		1	1	1	1	1	1	1	1	1	1	1	1		
4	13144 6015	JOINT-DUAL		3	3	3	3	3	3	3	3	3	3	3	3		
5	13144 6006	NUT		4	4	4	4	4	4	4	4	4	4	4	4		
6	13143 7170	SHIM KIT		A/R	A/R	A/R	A/R	A/R	A/R	A/R	A/R	A/R	A/R	A/R	A/R		
7	13144 6037	SPRING		4	4	4	4	4	4	4	4	4	4	4	4		
8	13144 6001	ROD		4	4	4	4	4	4	4	4	4	4	4	4		
9	13144 6003	SPACER		4	4	4	4	4	4	4	4	4	4	4	4		
10	13144 6034	NUT		4	4	4	4	4	4	4	4	4	4	4	4		
11	13142 6010	GASKET		4	4	4	4	4	4	4	4	4	4	4	4		
12	13142 6150	GASKET		4	4	4	4	4	4	4	4	4	4	4	4		
13	13141 6060	NOZZLE		4	4	4	4	4	4	4	4	4	4	4	4		

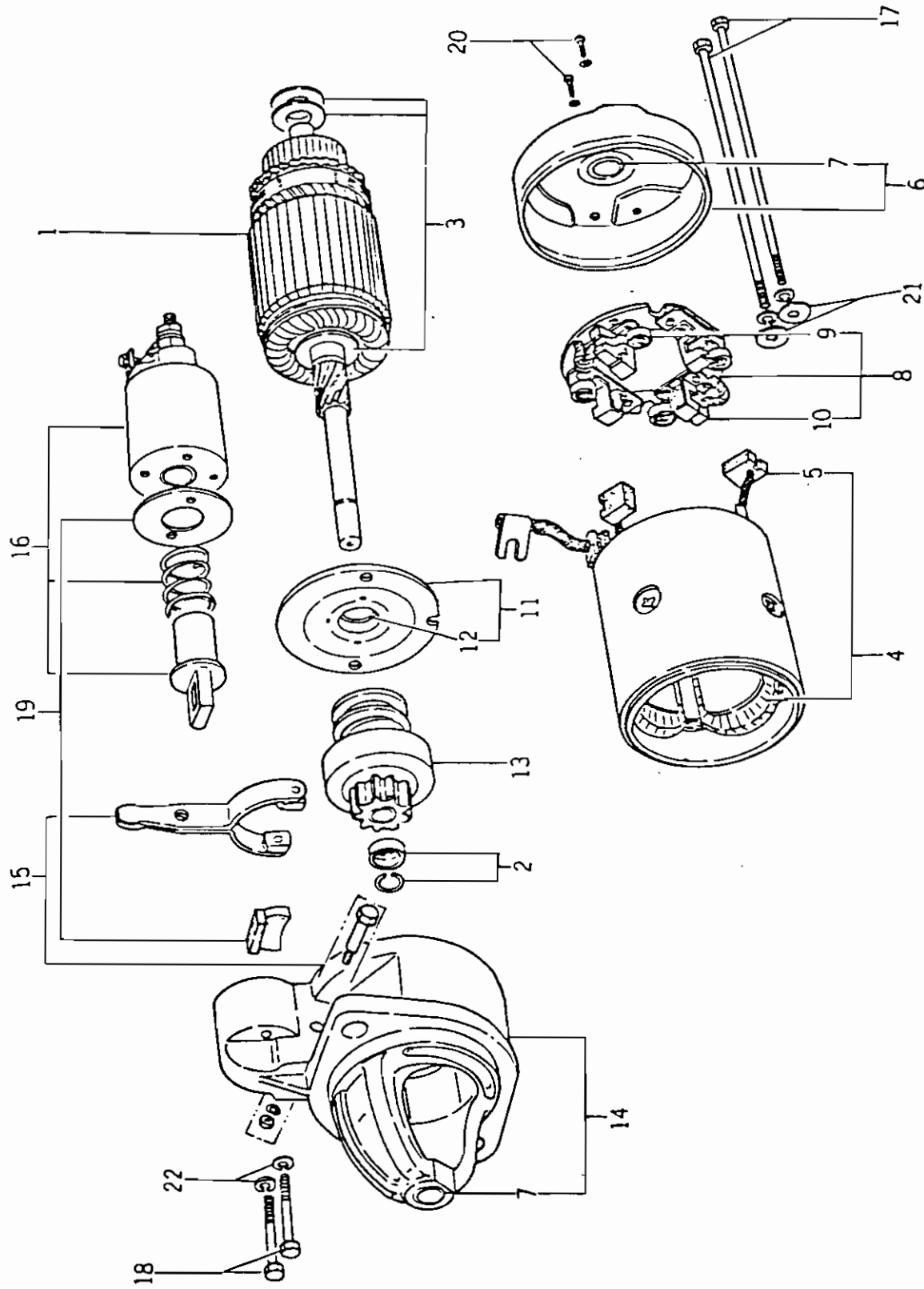
BINDER NO.
1SP3002

(1 - 60)

SUPPLEMENT NO.



16. STARTING MOTOR



(1 - 61)

SUPPLEMENT NO.	

BINDER NO.	1 SP 3 0 2
------------	------------



16. STARTING MOTOR

管理コード

REF.NO.	CODE NO.	PART	NAME	Qty												Min.Qty	REMARKS
				S	D	S	D	S	D	S	D	S	D	S	D		
0	18508 6141	STARTING MOTOR ASS'Y		4300	4340	4500	4540	5000T	5040T	1	1	1	1	1	1		
1	18584 6186	ARMATURE ASS'Y		1	1	1	1	1	1	1	1	1	1	1	1		
2	18584 6174	PINION STOPPER SFT		1	1	1	1	1	1	1	1	1	1	1	1		
3	18584 6010	THRUST WASHER KIT		1	1	1	1	1	1	1	1	1	1	1	1		
4	18584 6190	FIELD COIL ASS'Y		1	1	1	1	1	1	1	1	1	1	1	1		
5	18541 6210	BRUSH (+)		2	2	2	2	2	2	2	2	2	2	2	2		
6	18584 6176	REAR COVER ASS'Y		1	1	1	1	1	1	1	1	1	1	1	1		
7	18584 6177	METAL		2	2	2	2	2	2	2	2	2	2	2	2		
8	18584 6188	BRUSH HOLDER ASS'Y		1	1	1	1	1	1	1	1	1	1	1	1		
9	18584 6178	BRUSH SPRING		4	4	4	4	4	4	4	4	4	4	4	4		
10	18541 6220	BRUSH (-)		2	2	2	2	2	2	2	2	2	2	2	2		
11	18584 6179	CENTER METAL ASS'Y		1	1	1	1	1	1	1	1	1	1	1	1		
12	18584 6077	METAL		1	1	1	1	1	1	1	1	1	1	1	1		
13	18586 6070	PINION ASS'Y		1	1	1	1	1	1	1	1	1	1	1	1		
14	18584 6180	GEAR CASE ASS'Y		1	1	1	1	1	1	1	1	1	1	1	1		
15	18584 6182	SHIFT LEVER SET		1	1	1	1	1	1	1	1	1	1	1	1		
16	18581 6070	SWITCH ASS'Y		1	1	1	1	1	1	1	1	1	1	1	1		
17	18584 6189	THROUGH BOLT		2	2	2	2	2	2	2	2	2	2	2	2		
18	01010 0645	BOLT		2	2	2	2	2	2	2	2	2	2	2	2		
19	18584 6183	DUST COVER SET		1	1	1	1	1	1	1	1	1	1	1	1		
20	01514 0408	SCREW		2	2	2	2	2	2	2	2	2	2	2	2		
21	18584 6185	WASHER		2	2	2	2	2	2	2	2	2	2	2	2		
22	02710 0006	SPRING WASHER		2	2	2	2	2	2	2	2	2	2	2	2		

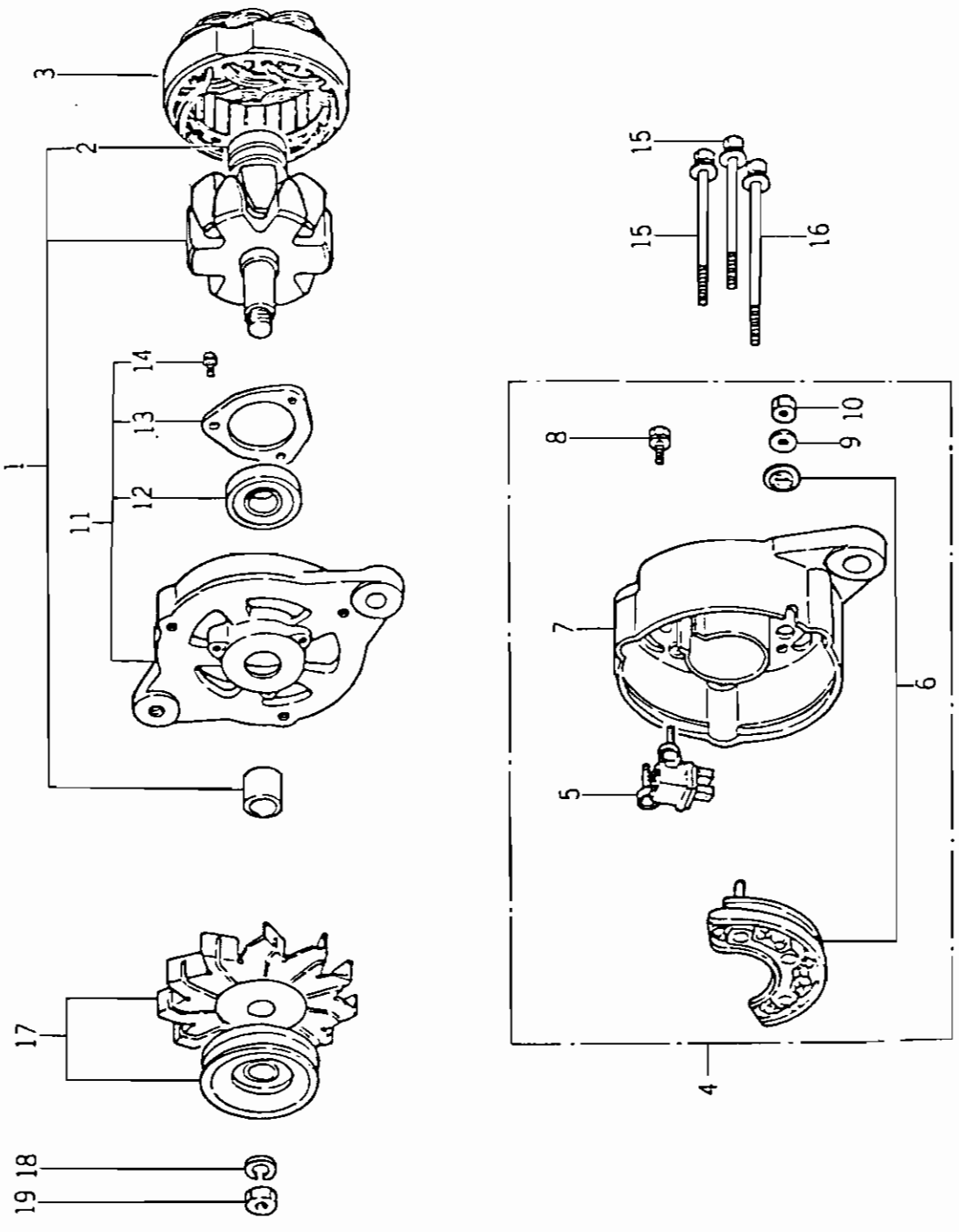
BINDER NO.
ISP3002

(1 - 62)

SUPPLEMENT NO.



17. ALTERNATOR



BINDER NO.
ISP3002

(1 - 63)

SUPPLEMENT NO.

17. ALTERNATOR

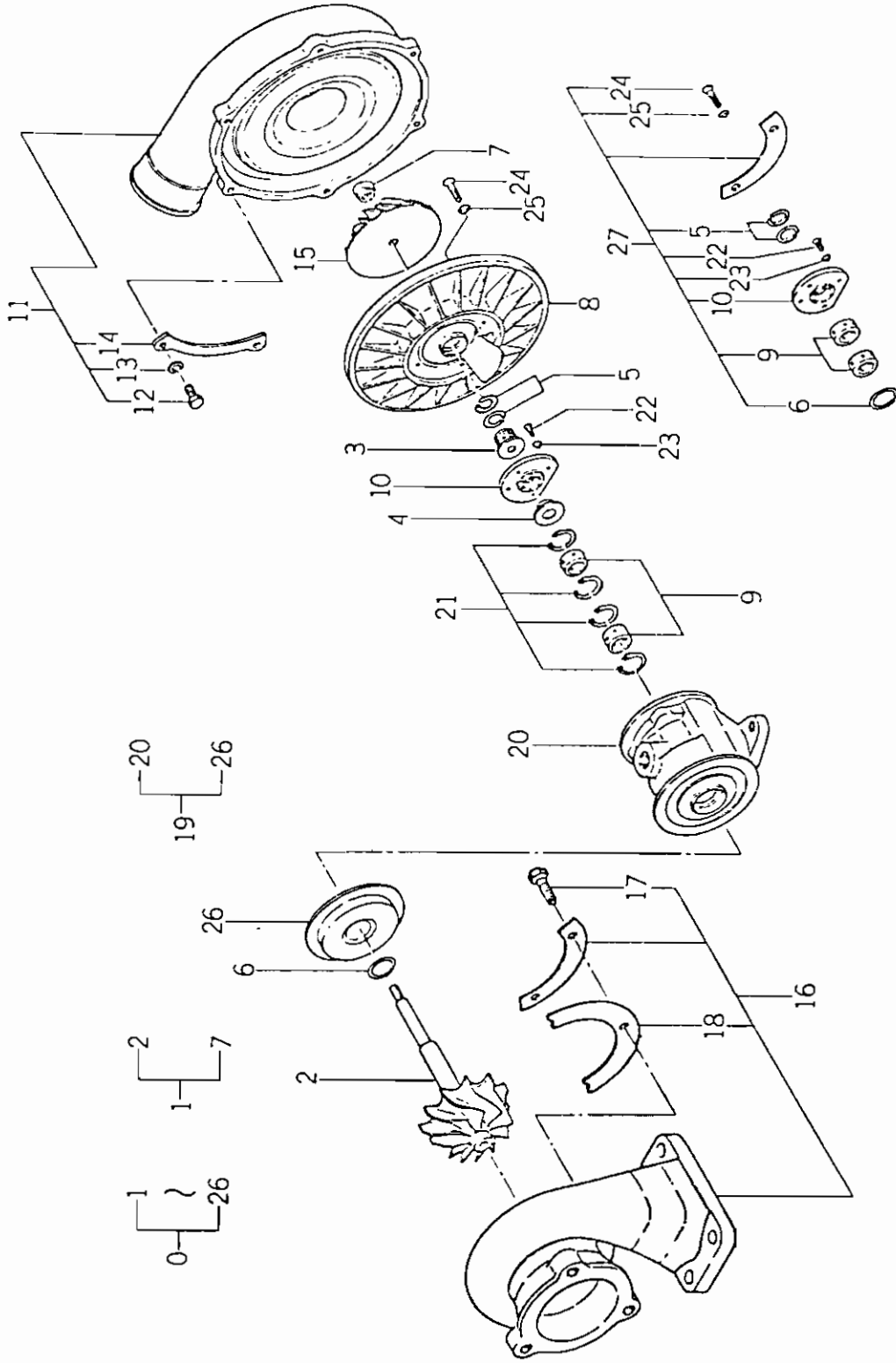


管理コード

REF.NO	CODE NO.	PART	NAME	Q'ty												Min.Qty	REMARKS
				S	D	S	D	S	D	S	D	S	D	S	D		
0	18504 6150	ALTERNATOR ASS'Y		1	1	1	1	1	1	1	1	1	1	1	1		
1	18544 6191	ROTOR ASS'Y		1	1	1	1	1	1	1	1	1	1	1	1		
2	04014 6201	BEARING		1	1	1	1	1	1	1	1	1	1	1	1		
3	18544 6192	STATOR ASS'Y		1	1	1	1	1	1	1	1	1	1	1	1		
4	18544 6193	REAR COVER ASS'Y		1	1	1	1	1	1	1	1	1	1	1	1		
5	18541 6340	BRUSH ASS'Y		1	1	1	1	1	1	1	1	1	1	1	1		
6	18544 6195	DIODE ASS'Y		1	1	1	1	1	1	1	1	1	1	1	1		
7	18544 6194	REAR COVER		1	1	1	1	1	1	1	1	1	1	1	1		
8	01115 0514	BOLT		1	1	1	1	1	1	1	1	1	1	1	1		
9	02610 0005	WASHER		5	5	5	5	5	5	5	5	5	5	5	5		
10	02010 0005	NUT		5	5	5	5	5	5	5	5	5	5	5	5		
11	18542 6090	FRONT COVER ASS'Y		1	1	1	1	1	1	1	1	1	1	1	1		
12	18544 6178	BEARING		1	1	1	1	1	1	1	1	1	1	1	1		
13	18544 6151	RETAINER		1	1	1	1	1	1	1	1	1	1	1	1		
14	01514 0412	SCREW		3	3	3	3	3	3	3	3	3	3	3	3		
15	18544 6170	THROUGH BOLT		2	2	2	2	2	2	2	2	2	2	2	2		
16	18544 6169	THROUGH BOLT		1	1	1	1	1	1	1	1	1	1	1	1		
17	18543 6110	PULLEY ASS'Y		1	1	1	1	1	1	1	1	1	1	1	1		
18	02710 0014	SPRING WASHER		1	1	1	1	1	1	1	1	1	1	1	1		
19	02010 9028	NUT		1	1	1	1	1	1	1	1	1	1	1	1		



18. TURBO CHARGER



BINDER NO.
1 SP 3 0 0 2

(1 - 65)

SUPPLEMENT NO.



18. TURBO CHARGER

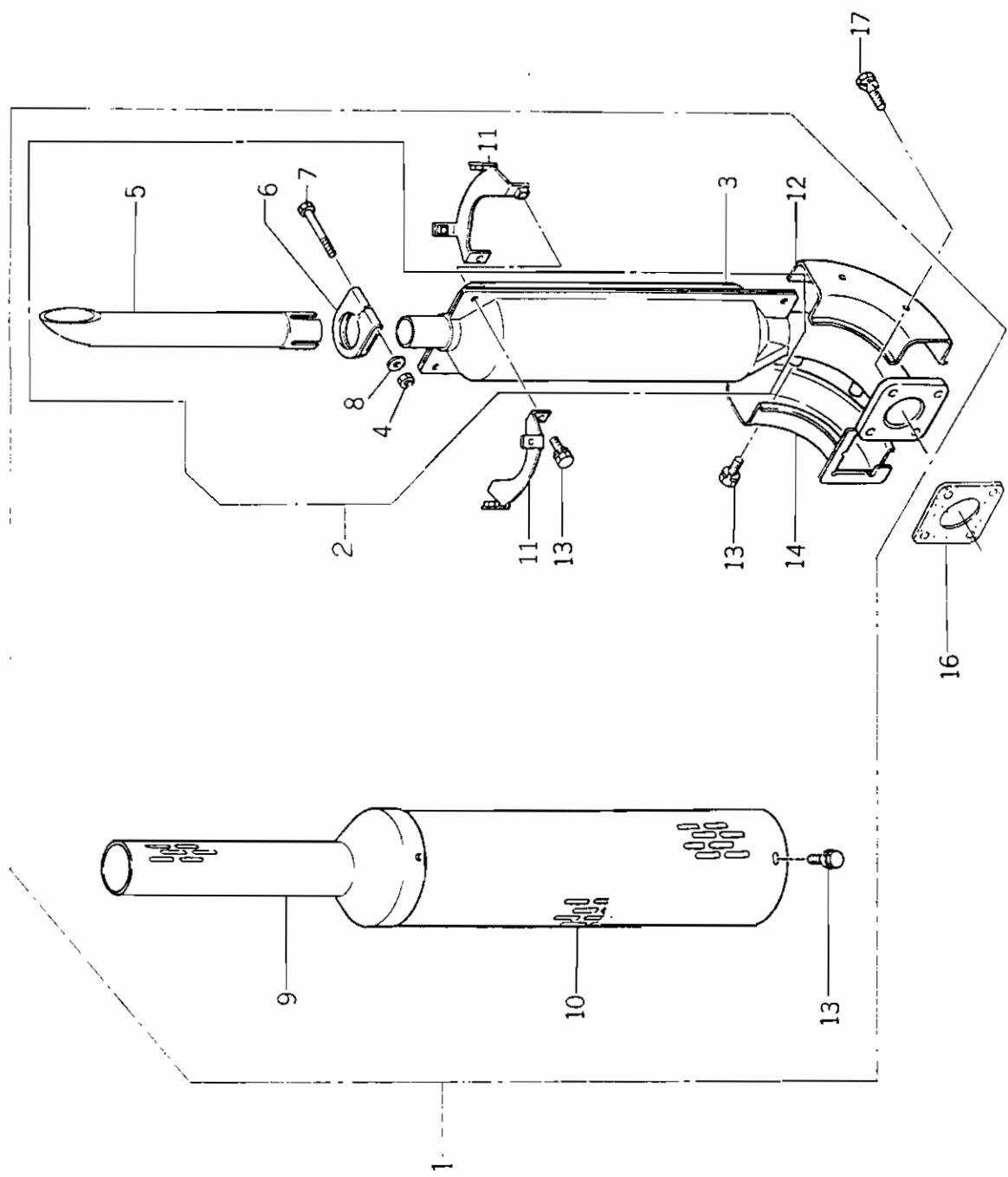
管理コード

REFNO.	CODE NO.	PART	NAME	Qty										REMARKS		
				S	D	S	D	S	D	S	D	S	D		5040T	
0	13575 6040	TURBO CHARGER ASS'Y														
1	13579 6034	SHAFT ASS'Y-WHEEL														
3	13579 6037	THROWER-OIL														
4	13579 6003	BUSH-THRUST														
7	13579 6038	NUT-LOCK														
8	13579 6039	PLATE-SEAL														
11	13579 6043	HOUSING ASS'Y														
12	13579 6044	BOLT														
13	13579 6014	SPRING WASHER														
14	13579 6015	PLATE														
15	13579 6047	IMPELLER														
16	13579 6051	HOUSING ASS'Y-TURBINE														
17	13579 6052	BOLT														
18	13579 6053	PLATE														
19	13579 6054	HOUSING ASS'Y-CENTER														
20	13579 6055	HOUSING-CENTER														
21	13579 6056	RING-RETAINING														
26	13579 6057	SHROUD-WHEEL														
27	13579 6058	OVER HAUL KIT														



19. MUFFLER

SD5000T ~50000
SD5040T ~50000



BINDER NO.
ISP3002

(1 - 67)

SUPPLEMENT NO.



19. MUFFLER

SD5000T ~50000
SD5040T ~50000

管理コード

REF.NO.	CODE NO.	PART	NAME	Qty										REMARKS		
				S	D	S	D	S	D	S	D	S	D			
1	31401 0313	MUFFLER ASS'Y		1	1											
1	31401 0700	MUFFLER ASS'Y		1	1											
2	31401 0320	MUFFLER ASS'Y		1	1											
2	31401 0710	MUFFLER ASS'Y		1	1											
3	31410 0250	MUFFLER		1	1											
3	31410 0470	MUFFLER		1	1											
4	02010 0008	NUT		1	1											
5	31414 0420	PIPE		1	1											
6	31441 0020	BAND		1	1											
7	01010 0860	BOLT		1	1											
8	02810 0008	WASHER		1	1											
9	37810 0720	GUARD		1	1											
10	37811 1840	GUARD		1	1											
11	37810 0731	GUARD		4	4											
12	37811 2110	GUARD		1	1											
13	01010 9206	BOLT		14	14											
14	37810 0820	GUARD		1	1											
16	31499 0012	GASKET		1	1											
17	01131 0825	BOLT		4	4											

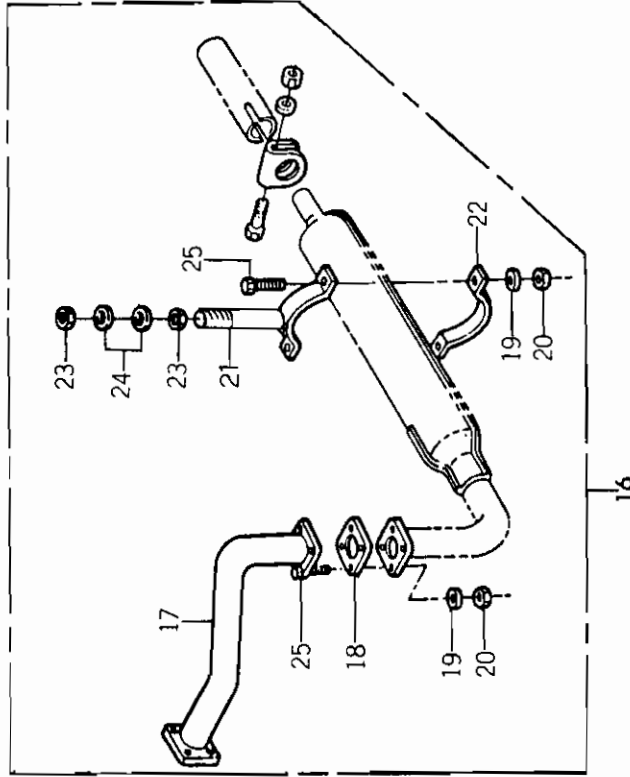
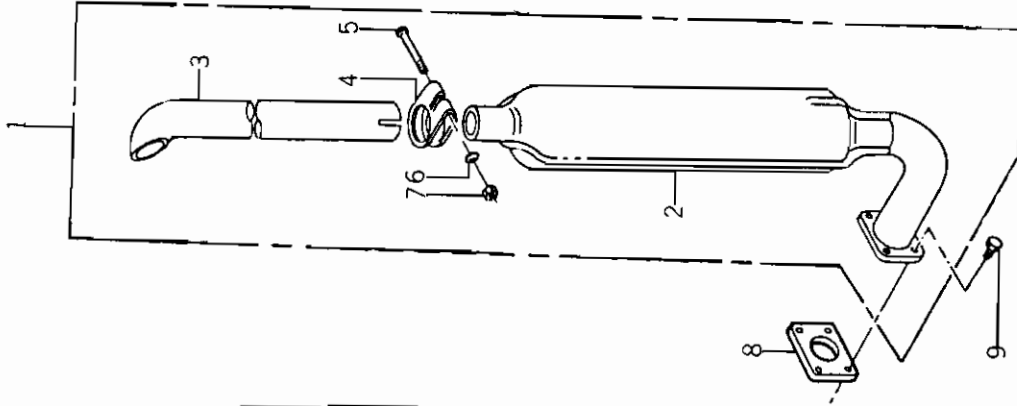
SYMBOL MARK OF "T1" OR "H" IS PUNCHED ON THE MUFFLER FRANGE FOR TURBO CHARGER

BINDER NO.	IS P 3 0 0 2
SUPPLEMENT NO.	



19A. MUFFLER

SD5000T 50001~
SD5040T 50001~



HORIZONTAL MUFFLER KIT
; OPTION

VERTICAL --STD.

BINDER NO.
ISP3P02

(1 - 69)

SUPPLEMENT NO.



19A. MUFFLER. S.T.D & OPTION

管理コード

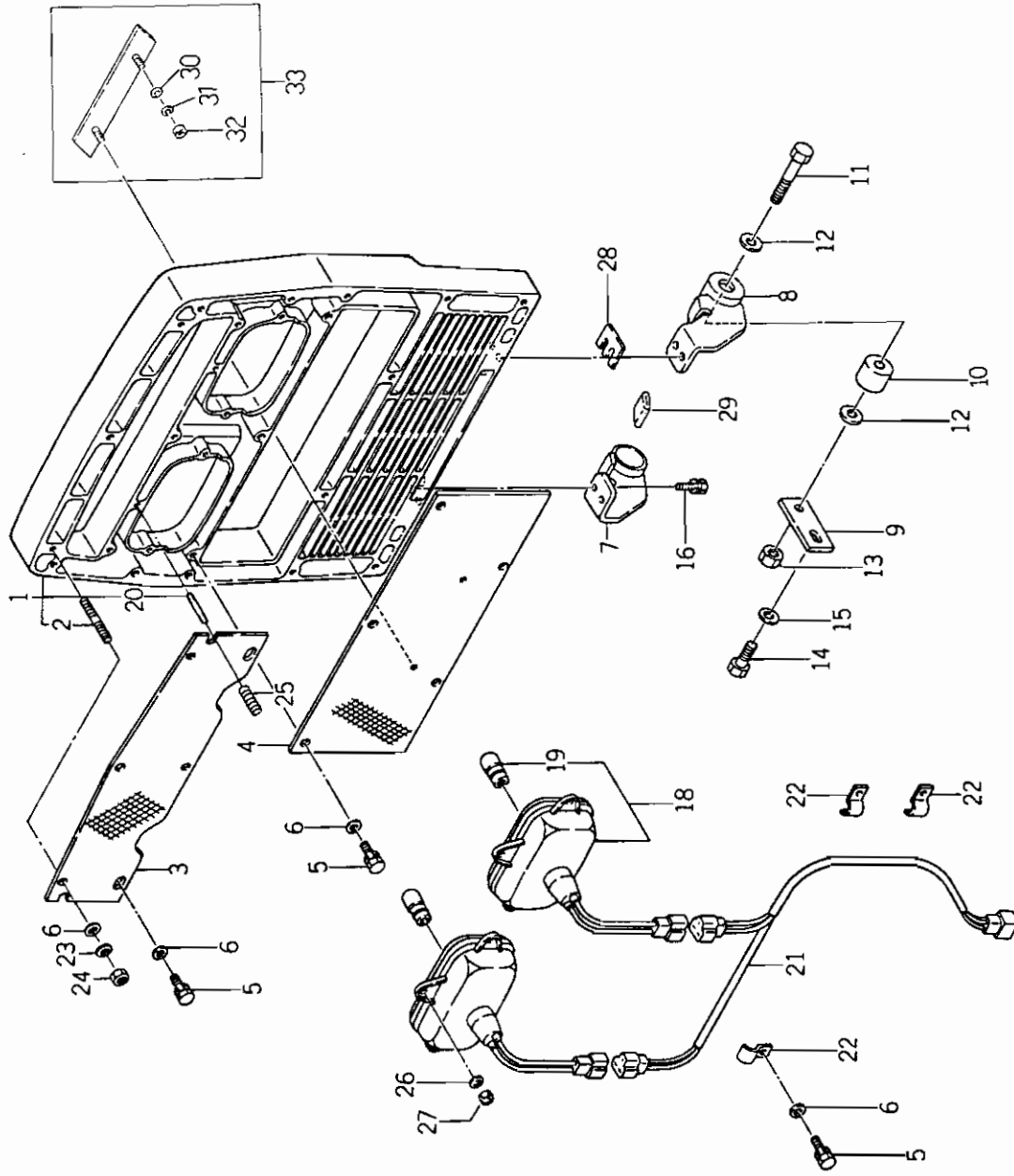
SD5000T 50001~
SD5040T 50001~

REFNO.	CODE NO.	PART	NAME	Qty										REMARKS		
				S	D	S	D	S	D	S	D	S	D			
1	31401 0461	MUFFLER ASS'Y														
1	31401 0670	MUFFLER ASS'Y														
2	31401 0370	MUFFLER														
2	31401 0460	MUFFLER														
3	31414 0491	PIPE														
4	31441 0110	BAND														
5	01010 0860	BOLT														
6	02610 0008	WASHER														
7	02010 0008	NUT														
8	31499 0012	GASKET														
9	01131 0825	BOLT														
16	31401 0660	MUFFLER KIT														
17	31420 0280	ELBOW														
18	31499 0012	GASKET														
19	02710 0008	SPRING WASHER														
20	02010 0008	NUT														
21	31440 0200	SUPPORT														
22	31441 0120	BAND														
23	02010 0012	NUT														
24	02610 9018	WASHER														
25	01010 0830	BOLT														
	31401 0313	MUFFLER ASS'Y WITH GUARD														
	31401 0700	MUFFLER ASS'Y WITH GUARD														

BINDER NO.	SUPPLEMENT NO.	No.5 - AUGUST, 1985
ISP3002		



20. FRONT MASK



SUPPLEMENT NO.	No 4 - FEBRUARY, 1985
----------------	-----------------------

(1 - 71)

BINDER NO.	ISP3002
------------	---------

20. FRONT MASK

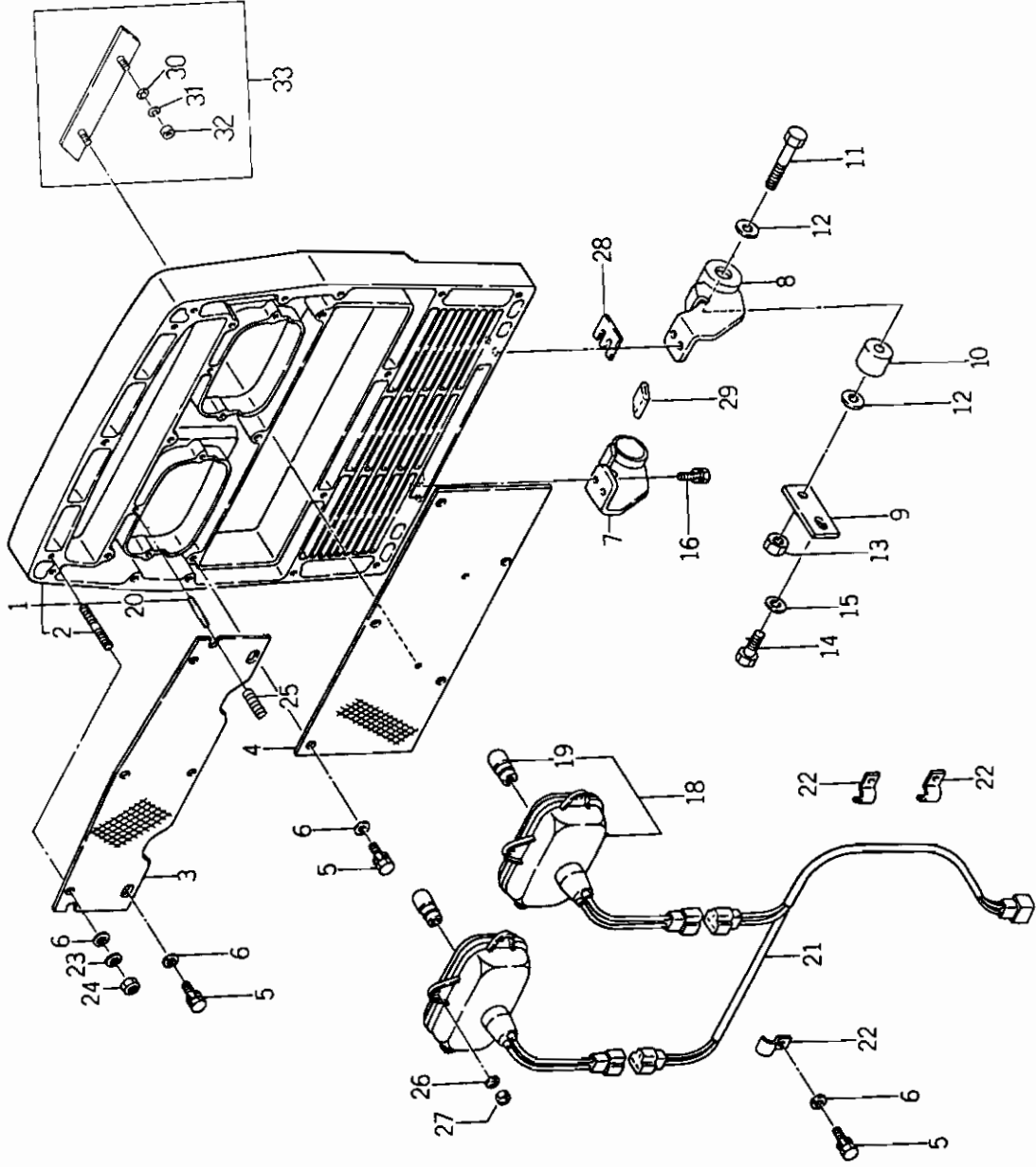
管理コード

REF.NO.	CODE NO.	PART	NAME	Qty										Min.Qty	REMARKS	
				S	D	S	D	S	D	S	D	S	D			
1	35003 0040	FRONT MASK		1	1	1	1	1	1	1	1	1	1	1		
2	01220 0820	STUD BOLT		8	8	8	8	8	8	8	8	8	8	8		
3	35031 0410	FRONT MASK		1	1	1	1	1	1	1	1	1	1	1		
4	35031 0420	FRONT MASK		1	1	1	1	1	1	1	1	1	1	1		
4	35031 0530	FRONT MASK		1	1	1	1	1	1	1	1	1	1	1		
4	35031 1200	FRONT MASK		1	1	1	1	1	1	1	1	1	1	1		
5	01130 0820	BOLT		14	14	14	14	14	14	14	14	14	14	14		
6	02610 0008	WASHER		22	22	22	22	22	22	22	22	22	22	22		
7	35050 0431	BONNET SUPPORT, L.H		1	1	1	1	1	1	1	1	1	1	1		
8	35050 0421	BONNET SUPPORT, R.H		1	1	1	1	1	1	1	1	1	1	1		
9	39956 2600	PLATE		2	2	2	2	2	2	2	2	2	2	2		
10	39811 0630	RUBBER		2	2	2	2	2	2	2	2	2	2	2		
11	01011 1670	BOLT		2	2	2	2	2	2	2	2	2	2	2		
12	02610 0016	WASHER		4	4	4	4	4	4	4	4	4	4	4		
13	02030 0016	NUT		2	2	2	2	2	2	2	2	2	2	2		
14	01131 1025	BOLT		2	2	2	2	2	2	2	2	2	2	2		
15	02610 0010	WASHER		2	2	2	2	2	2	2	2	2	2	2		
16	01131 0825	BOLT		4	4	4	4	4	4	4	4	4	4	4		
18	38510 0480	LAMP ASS'Y		2	2	2	2	2	2	2	2	2	2	2		
19	38512 0340	BULB		2	2	2	2	2	2	2	2	2	2	2		12V 35 / 25W
20	01220 0525	STUD BOLT		6	6	6	6	6	6	6	6	6	6	6		
21	38560 3100	WIRE HARNESS		1	1	1	1	1	1	1	1	1	1	1		
22	39911 0080	CLAMP		3	3	3	3	3	3	3	3	3	3	3		
23	02710 0008	SPRING WASHER		8	8	8	8	8	8	8	8	8	8	8		
24	02010 0008	NUT		8	8	8	8	8	8	8	8	8	8	8		
25	39821 0010	SPRING		6	6	6	6	6	6	6	6	6	6	6		
26	02610 0005	WASHER		6	6	6	6	6	6	6	6	6	6	6		
27	02010 0005	NUT		6	6	6	6	6	6	6	6	6	6	6		
28	39921 0940	SPACER		A/R	A/R	A/R	A/R	A/R	A/R	A/R	A/R	A/R	A/R	A/R		
29	06812 2025	TUBE		2	2	2	2	2	2	2	2	2	2	2		

BINDER NO.
I SP 3 0 0 2



20. FRONT MASK



BINDER NO.
ISP3002

(1 - 73)

SUPPLEMENT NO. No. 4 - FEBRUARY, 1985

20. FRONT MASK

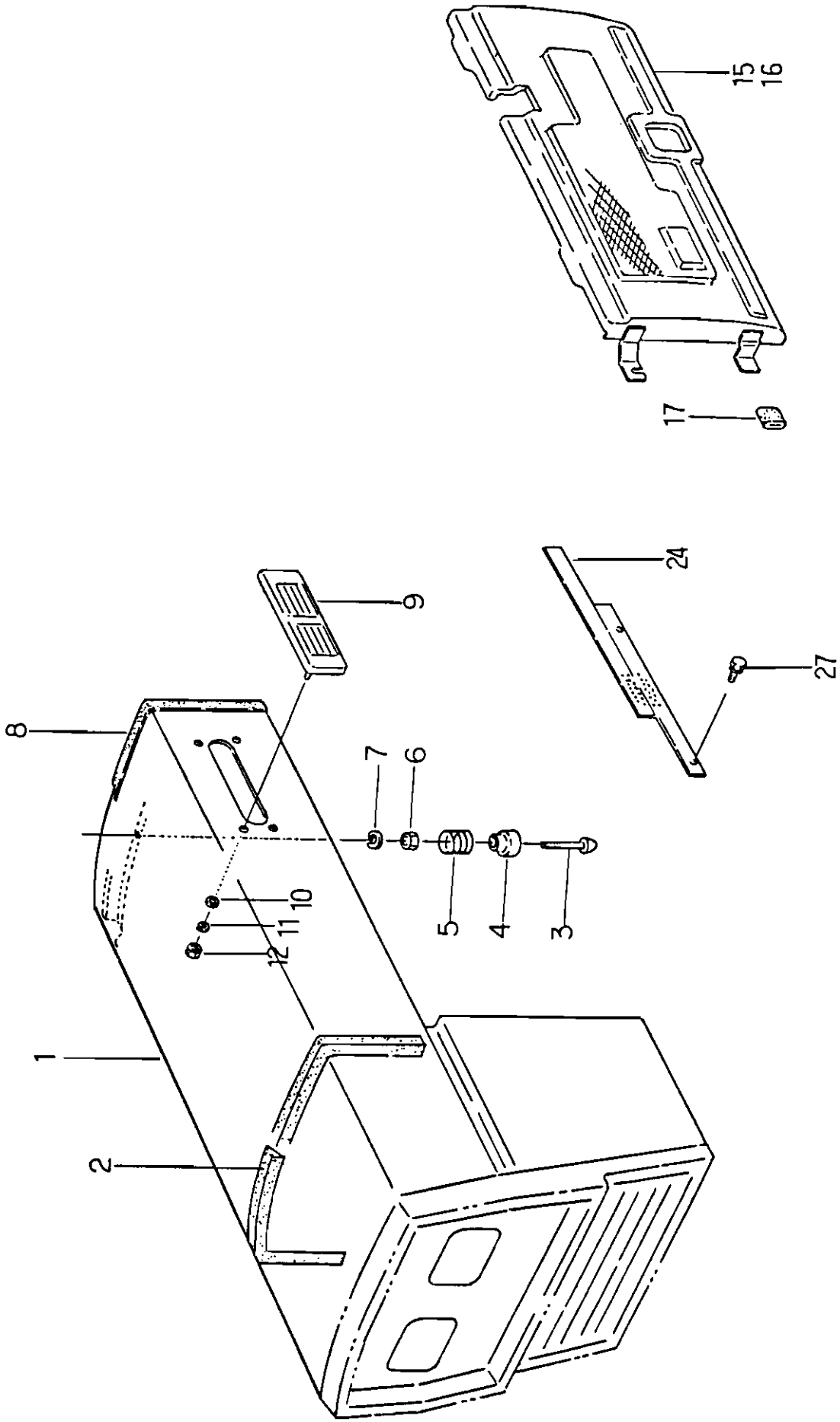


管理コード

REF. NO.	CODE NO.	PART	NAME	Q'ty										REMARKS			
				SD 4300	SD 4340	SD 4500	SD 4540	SD 5000T	SD 5040T	SD 5000T	SD 5040T	SD 5000T	SD 5040T		Min. Qty		
30	02610 0004	WASHER		2	2	2	2	2	2	2	2						
31	02710 0004	SPRING WASHER		2	2	2	2	2	2	2	2						(a)
32	02010 0004	NUT		2	2	2	2	2	2	2	2						(a)
33	39010 0100	NAME PLATE		1	1	1	1	1	1	1	1						(a) STIGER NAME
	(a) { SD5000T SD5040T	~50000 (b) { SD4500 • 4540 SD5000T • 5040T	10001~10038 50001~50399	10039~ 50400~													



21. BONNET



BINDER NO.
ISP3002

SUPPLEMENT NO.

21. BONNET



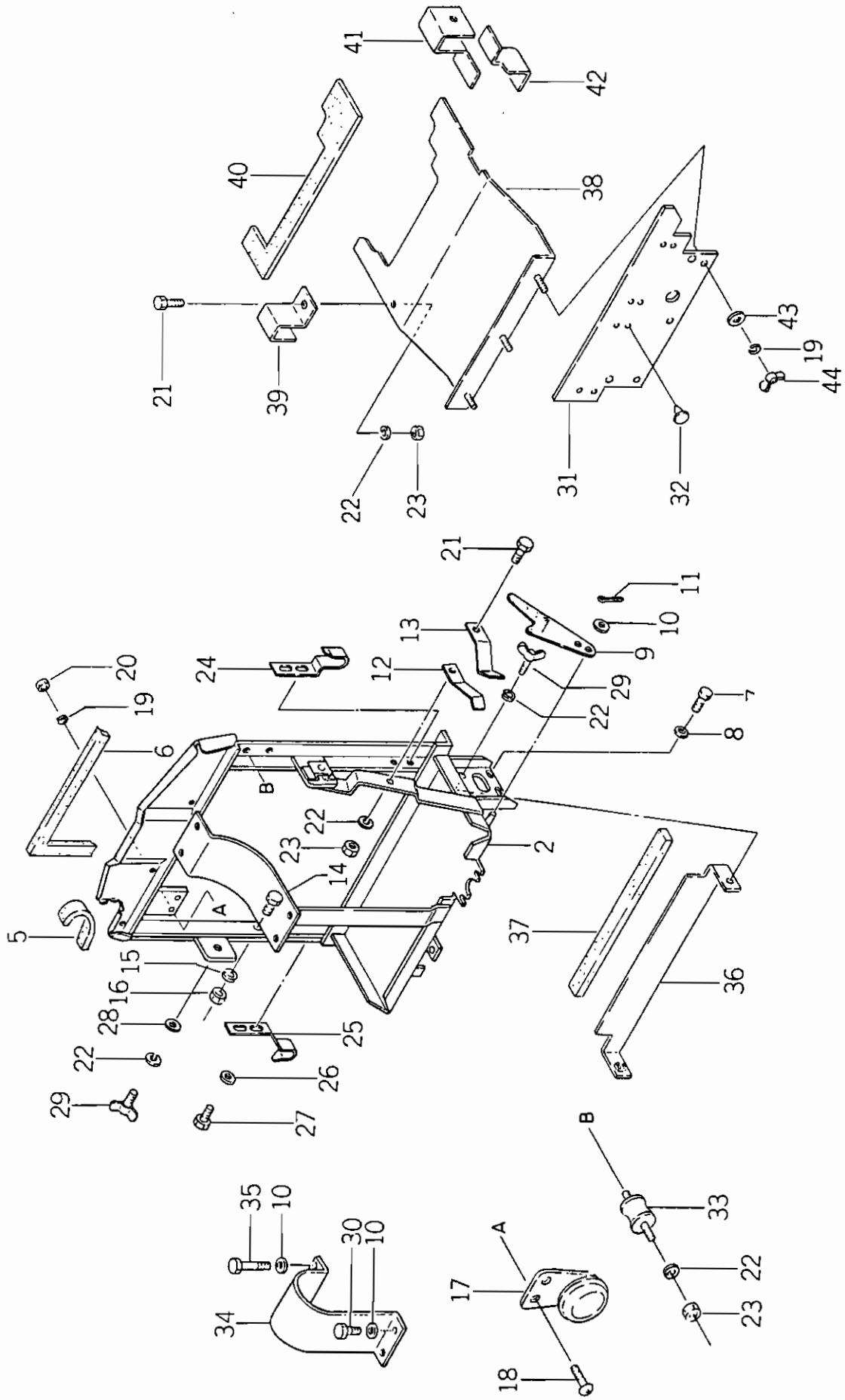
管理コード

REF.NO.	CODE NO.	PART	NAME	Qty												REMARKS
				S	D	S	D	S	D	S	D	S	D	S	D	
1	35010 0420	BONNET		4300	4340	4500	4540	5000T	5040T							
2	39813 0291	SPONGE		1	1	1	1	1	1							
3	39861 0910	PIN		1	1	1	1	1	1							
4	35020 0120	HANGER		1	1	1	1	1	1							
5	39821 1620	SPRING		1	1	1	1	1	1							
6	02010 0008	NUT		1	1	1	1	1	1							
7	02710 0008	SPRING WASHER		1	1	1	1	1	1							
8	39811 2330	RUBBER		1	1	1	1	1	1							
9	35075 0350	COVER		2	2	2	2	2	2							
10	02610 0006	WASHER		4	4	4	4	4	4							
11	02710 0006	SPRING WASHER		4	4	4	4	4	4							
12	02010 0006	NUT		4	4	4	4	4	4							
15	37810 0871	GUARD; L.H		1	1	1	1	1	1							
16	37810 0881	GUARD; R.H		1	1	1	1	1	1							
17	39811 2300	RUBBER		2	2	2	2	2	2							
24	37810 0920	GUARD; L.H		1	1	1	1	1	1							
27	01130 0816	BOLT		3	3	3	3	3	3							

BINDER NO.	SUPPLEMENT NO.
ISP3002	



22. BATTERY STAND



BINDER NO.
1 SP 3 0 0 2

(1 - 77)

SUPPLEMENT NO.

22. BATTERY STAND

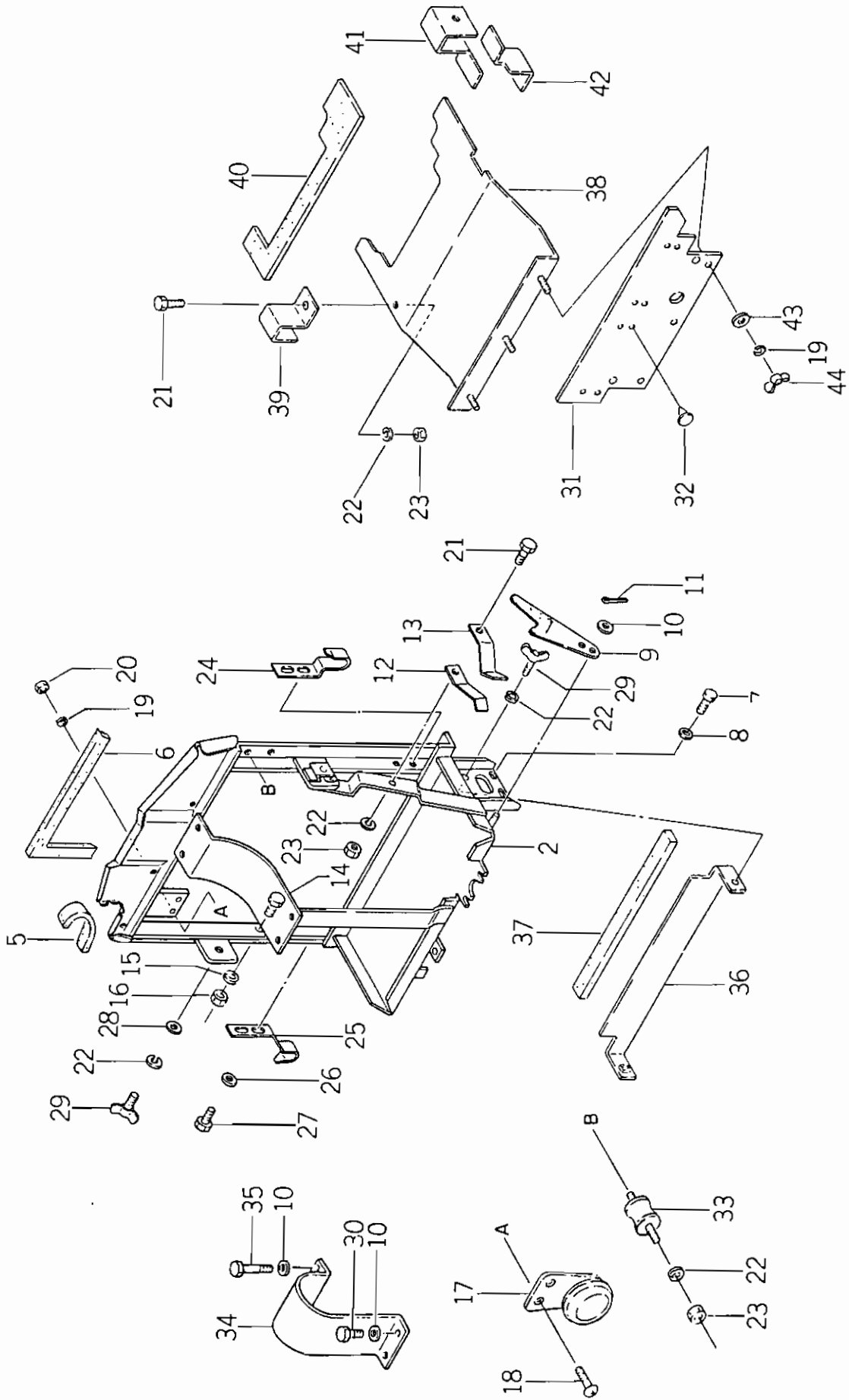


管理コード

REF.NO.	CODE NO.	PART	NAME	Qty										Min.Qty	REMARKS	
				S D 4300	S D 4340	S D 4500	S D 4540	S D 5000T	S D 5040T	S D 5090T	S D 5140T	S D 5190T	S D 5240T			
2	38910 0410	BATTERY STAND		1	1	1	1	1	1	1	1	1	1	1		
5	39811 1820	RUBBER		1	1	1	1	1	1	1	1	1	1	1		
6	39813 0380	SPONGE		1	1	1	1	1	1	1	1	1	1	1		
6	39813 0330	SPONGE														
7	01130 1020	BOLT		4	4	4	4	4	4	4	4	4	4	4		
8	02610 0010	WASHER		4	4	4	4	4	4	4	4	4	4	4		
9	35051 0781	SET PLATE		1	1	1	1	1	1	1	1	1	1	1		
10	02610 0008	WASHER		5	5	5	5	5	5	5	5	5	5	5		
11	03010 2015	SPLIT PIN		1	1	1	1	1	1	1	1	1	1	1		
12	39821 1670	SPRING		1	1	1	1	1	1	1	1	1	1	1		
13	39956 3790	PLATE		1	1	1	1	1	1	1	1	1	1	1		
14	01010 1016	BOLT		1	1	1	1	1	1	1	1	1	1	1		
15	02710 0010	SPRING WASHER		1	1	1	1	1	1	1	1	1	1	1		
16	02010 0010	NUT		1	1	1	1	1	1	1	1	1	1	1		
17	38525 0050	HORN		1	1	1	1	1	1	1	1	1	1	1		
18	01510 0616	SCREW		2	2	2	2	2	2	2	2	2	2	2		
19	02710 0006	SPRING WASHER		5	5	5	5	5	5	5	5	5	5	5		
20	02010 0006	NUT		2	2	2	2	2	2	2	2	2	2	2		
21	01010 0816	BOLT		2	2	2	2	2	2	2	2	2	2	2		
22	02710 0008	SPRING WASHER		8	8	8	8	8	8	8	8	8	8	8		
23	02010 0008	NUT		4	4	4	4	4	4	4	4	4	4	4		
24	39956 3750	PLATE		1	1	1	1	1	1	1	1	1	1	1		
25	39956 3760	PLATE		1	1	1	1	1	1	1	1	1	1	1		
26	02610 0006	WASHER		4	4	4	4	4	4	4	4	4	4	4		
27	01114 0616	BOLT		4	4	4	4	4	4	4	4	4	4	4		
28	02610 9010	WASHER		2	2	2	2	2	2	2	2	2	2	2		
29	01410 9005	WING BOLT		4	4	4	4	4	4	4	4	4	4	4		
30	01130 0835	BOLT		2	2	2	2	2	2	2	2	2	2	2		
31	39811 2620	RUBBER; 4WD, 2WD WITH POWER STEERING		1	1	1	1	1	1	1	1	1	1	1		
31	39811 2610	RUBBER; 2WD		1	1	1	1	1	1	1	1	1	1	1		



22. BATTERY STAND



	SUPPLEMENT NO.

(1 - 79)

BINDER NO.
1 SP3002



22. BATTERY STAND

管理コード

REF.NO.	CODE NO.	PART	NAME	Qty										Min.Qty	REMARKS	
				S D 4300	S D 4340	S D 4500	S D 4540	S D 5000T	S D 5040T	S D 5090T	S D 5140T	S D 5190T	S D 5240T			
32	39834 0240	CLIP		4	4	4	4	4	4	4	4					
33	39811 1610	RUBBER		2	2											
33	39811 2310	RUBBER		1	1	2	2									
34	31460 0170	HOLDER		1	1	1	1	1	1	1	1					
35	01130 0816	BOLT		2	2	2	2	2	2	2	2					
36	37810 1280	GUARD		1	1	1	1	1	1	1	1					
37	39813 0720	SPONGE		1	1	1	1	1	1	1	1					
37	39813 0710	SPONGE														
38	37810 1300	GUARD; 4WD, 2WD WITH POWER STEERING														
38	37810 1290	GUARD; 2WD		1		1	1	1	1	1	1					
39	39956 3950	PLATE		1	1	1	1	1	1	1	1					
40	39813 0700	SPONGE		1	1	1	1	1	1	1	1					
41	39956 4050	PLATE		1	1	1	1	1	1	1	1					
42	39956 4060	PLATE		1	1	1	1	1	1	1	1					
43	02610 9009	WASHER		3	3	3	3	3	3	3	3					
44	02410 0006	WING NUT		3	3	3	3	3	3	3	3					

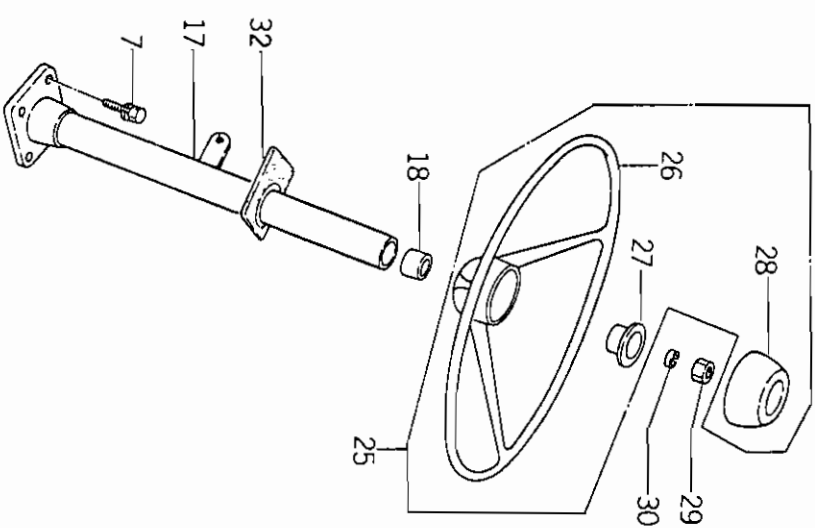
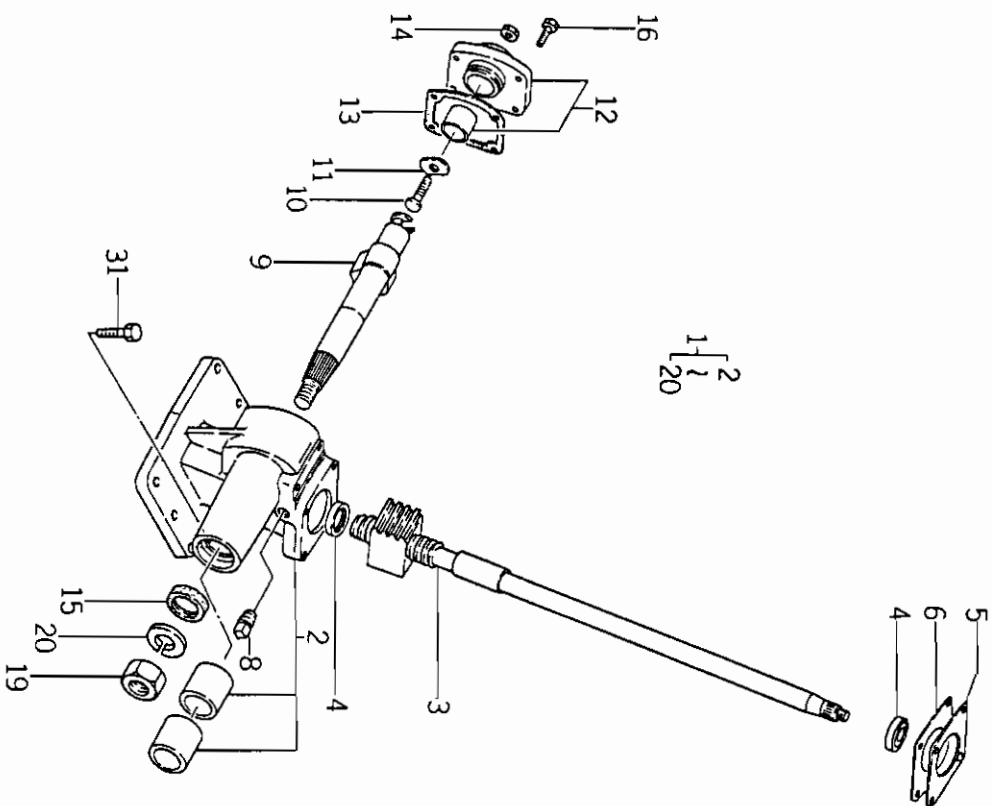
BINDER NO.
ISP3002

(1 - 80)

SUPPLEMENT NO.



23. STEERING; MANUAL



BINDER NO.
ISP3092

(1-81)

SUPPLEMENT NO.



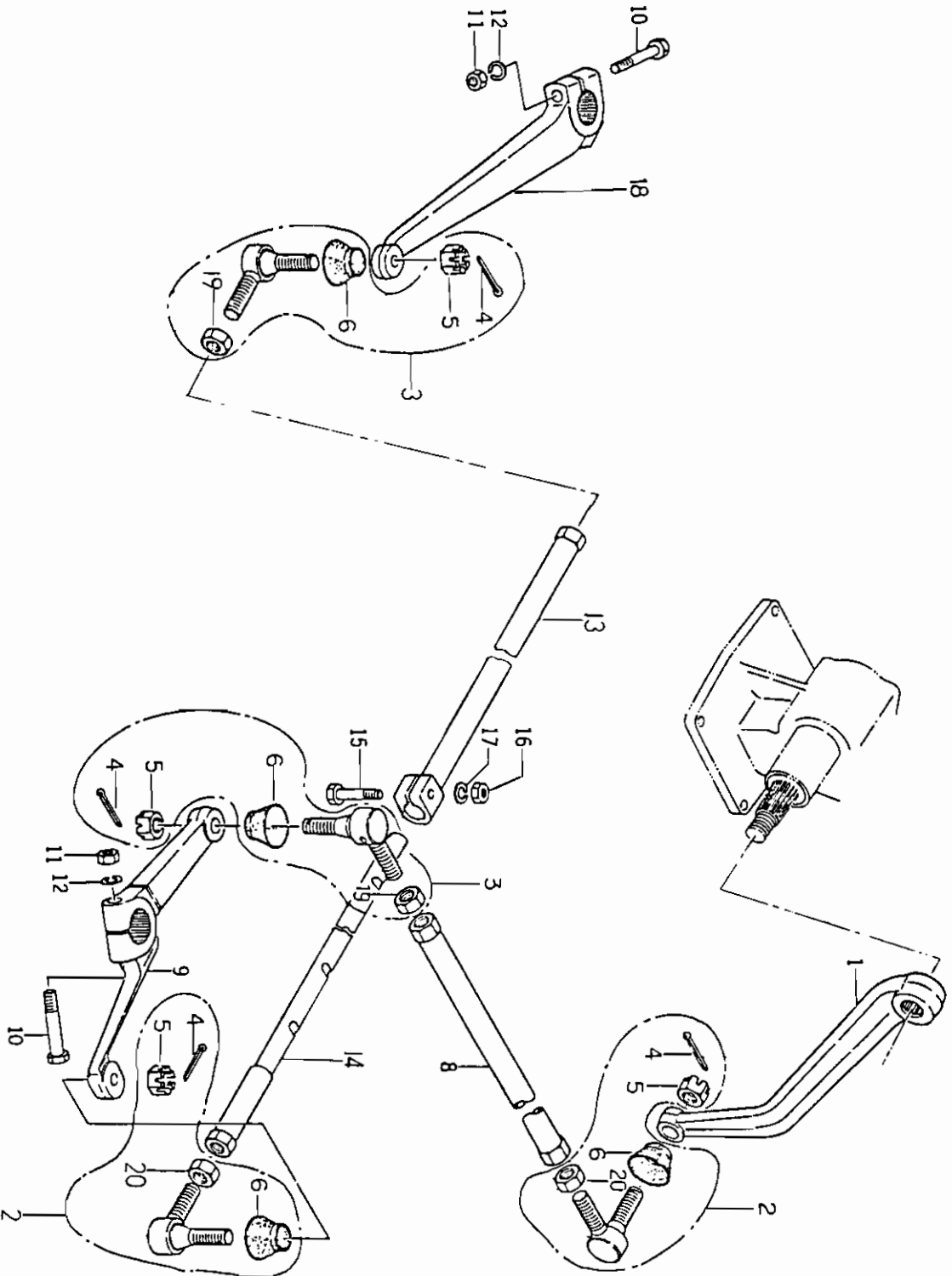
23. STEERING: MANUAL

管理コード

REF.NO.	CODE NO.	PART	NAME	Qty							Min.Qty	REMARKS		
				S D 4300	S D 4340	S D 4500	S D 4540	S D 5000T	S D 5040T	S D				
1	33401 0350	STEERING CASE ASS'Y		1		1			1					
2	33429 2093	CASING ASS'Y		1		1			1					
3	33429 2089	BALL SCREW UNIT		1		1			1					
4	33429 2099	BEARING		2		2			2					
5	33429 2096	GASKET		1		1			1					
6	33429 2098	SHIM		A/R		A/R			A/R					
7	33429 2101	BOLT		4		4			4					
8	33429 2107	PLUG		1		1			1					
9	33429 2090	CROSS SHAFT		1		1			1					
10	33429 2091	ADJUST BOLT		1		1			1					
11	33429 2092	ADJUST PLATE		1		1			1					
12	33429 2095	SIDE COVER ASS'Y		1		1			1					
13	33429 2097	GASKET		1		1			1					
14	33429 2102	NUT		1		1			1					
15	33429 2104	OIL SEAL		1		1			1					
16	33429 2106	BOLT		4		4			4					
17	33429 2094	TOP COVER ASS'Y		1		1			1					
18	33429 0570	BUSH		1		1			1					
19	33429 2103	NUT		1		1			1					
20	02710 0027	SPRING WASHER		1		1			1					
25	33430 0010	STEERING WHEEL ASS'Y		1		1			1					
26	33431 0120	STEERING WHEEL		1		1			1					
27	33433 0030	CAP HOLDER		1		1			1					
28	33432 0060	HANDLE CAP		1		1			1					
29	02020 0012	NUT		1		1			1					
30	02710 0012	SPRING WASHER		1		1			1					
31	01131 1030	BOLT		2		2			2					
32	39811 1540	RUBBER		1		1			1					



24. PITMAN ARM; MANUAL



BINDER NO.	?
ISP 3	?

(1 - 83)

SUPPLEMENT NO.	
----------------	--



24. PITMAN ARM: MANUAL

管理コード

REF.NO.	CODE NO.	PART	NAME	Qty										Min.Qty	REMARKS		
				S D 4300	S D 4340	S D 4500	S D 4540	S D 5000T	S D 5040T	S D	S D	S D	S D				
1	33452 1001	ARM		1		1				1							
2	33480 0190	TIE ROD END; L.H		2		2				2							
3	33480 0180	TIE ROD END; R.H		2		2				2							
4	03010 2525	SPLIT PIN		4		4				4							
5	33481 0080	CASTLE NUT		4		4				4							
6	33481 0010	RUBBER		4		4				4							
8	33470 0610	LINK		1		1				1							
9	33480 0240	NUCKLE ARM		1		1				1							
10	01011 1270	BOLT		2		2				2							
11	02010 0012	NUT		2		2				2							
12	02710 0012	SPRING WASHER		2		2				2							
13	33470 0620	LINK		1		1				1							
14	33470 0500	LINK		1		1				1							
15	01011 1045	BOLT		1		1				1							
16	02010 0010	NUT		1		1				1							
17	02710 0010	SPRING WASHER		1		1				1							
18	33452 1070	ARM		1		1				1							
19	33481 0100	NUT		2		2				2							
20	33481 0110	NUT		2		2				2							M17×1.5 M17×1.5(L)

BINDER NO.
ISP3002

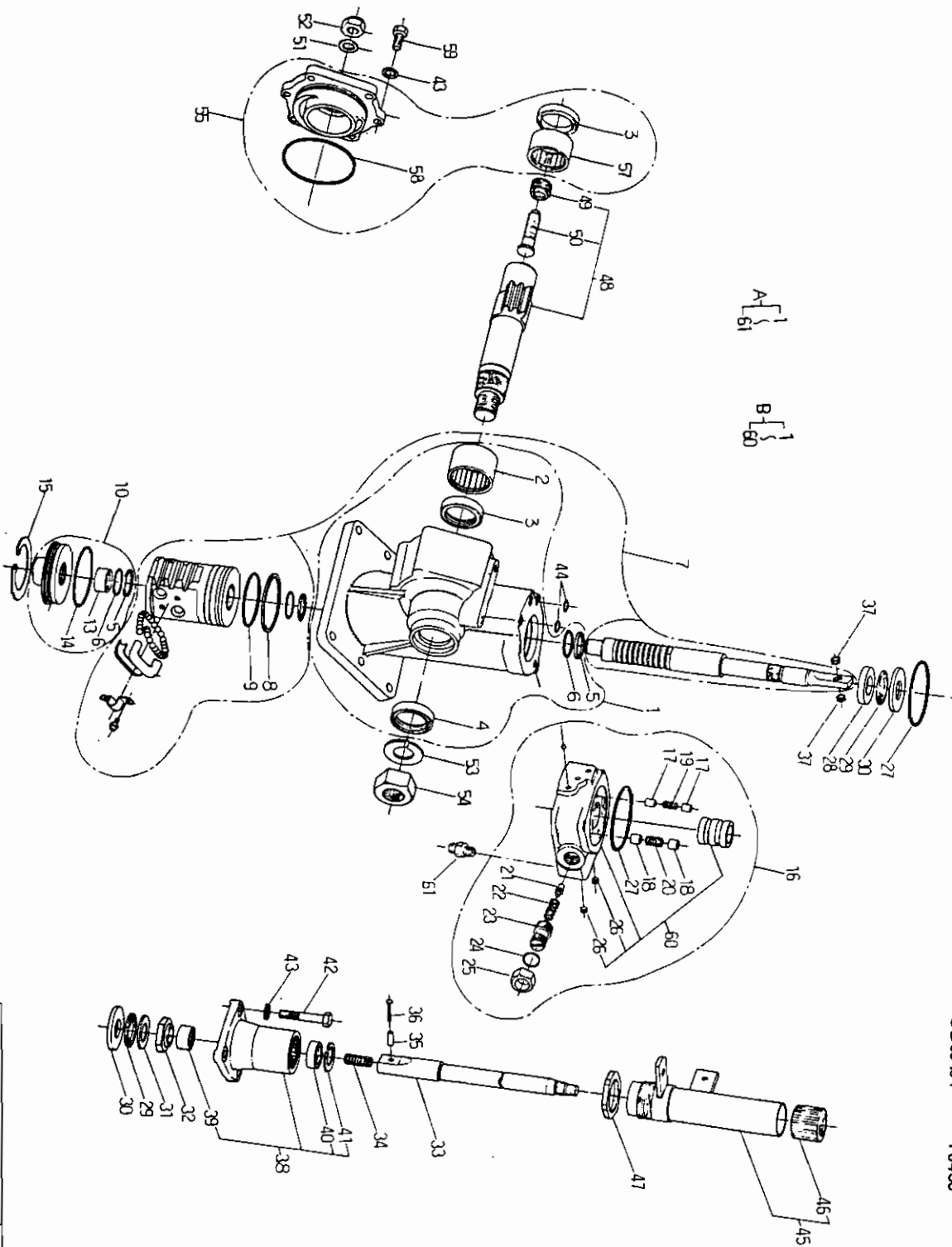
(1 - 84)

SUPPLEMENT NO.



25. POWER STEERING

SD4300 ~15211
 SD4340 ~16435
 SD5000T ~15211
 SD5040T ~16450



(1-85)

BINDER NO.	
ISP3 r-2	

SUPPLEMENT NO.	



25. POWER STEERING

SD4300 ~15211
 SD4340 ~16435
 SD5000T ~15211
 SD5040T ~16450

管理コード

REF.NO	CODE NO.	PART	NAME	Qty										Min.Qty	REMARKS		
				S	D	S	D	S	D	S	D	S	D			S	D
A	33401 0311	STEERING CASE ASS'Y		4300	4340	4500	4540	5000T	5040T								(a)
B	33401 0313	STEERING CASE ASS'Y		1	1			1	1								(b)
1	33429 2119	HOUSING ASS'Y		1	1			1	1								
2	33429 1010	NEEDLE BEARING		1	1			1	1								
3	33429 1020	PACKING		2	2			2	2								
4	33429 1030	OIL SEAL		1	1			1	1								
5	33429 1040	RING		2	2			2	2								
6	33429 1050	O-RING		2	2			2	2								
7	33429 2016	SHAFT ASS'Y		1	1			1	1								
8	33429 1070	RING		1	1			1	1								
9	05230 0600	O-RING		1	1			1	1								
10	33429 2120	FRONT COVER ASS'Y		1	1			1	1								
13	33429 1090	NEEDLE BEARING		1	1			1	1								
14	05230 0650	O-RING		1	1			1	1								
15	03650 0072	SNAP RING		1	1			1	1								
16	33429 2121	VALVE ASS'Y		1	1			1	1								
17	33429 1110	PISTON		4	4			4	4								
18	33429 1120	PISTON		4	4			4	4								
19	33429 1130	SPRING		2	2			2	2								
20	33429 1140	SPRING		2	2			2	2								
21	33429 1150	POPETT		1	1			1	1								
22	33429 1160	SPRING		1	1			1	1								
23	33429 2019	SCREW		1	1			1	1								
24	05210 0180	O-RING		1	1			1	1								
25	33429 2018	LOCK NUT		1	1			1	1								
26	06460 9002	PLUG		2	2			2	2								
27	33429 1370	O-RING		2	2			2	2								
28	33429 1320	THRUST WASHER		1	1			1	1								
29	33429 1350	THRUST BEARING		2	2			2	2								
30	33429 1330	THRUST WASHER		2	2			2	2								

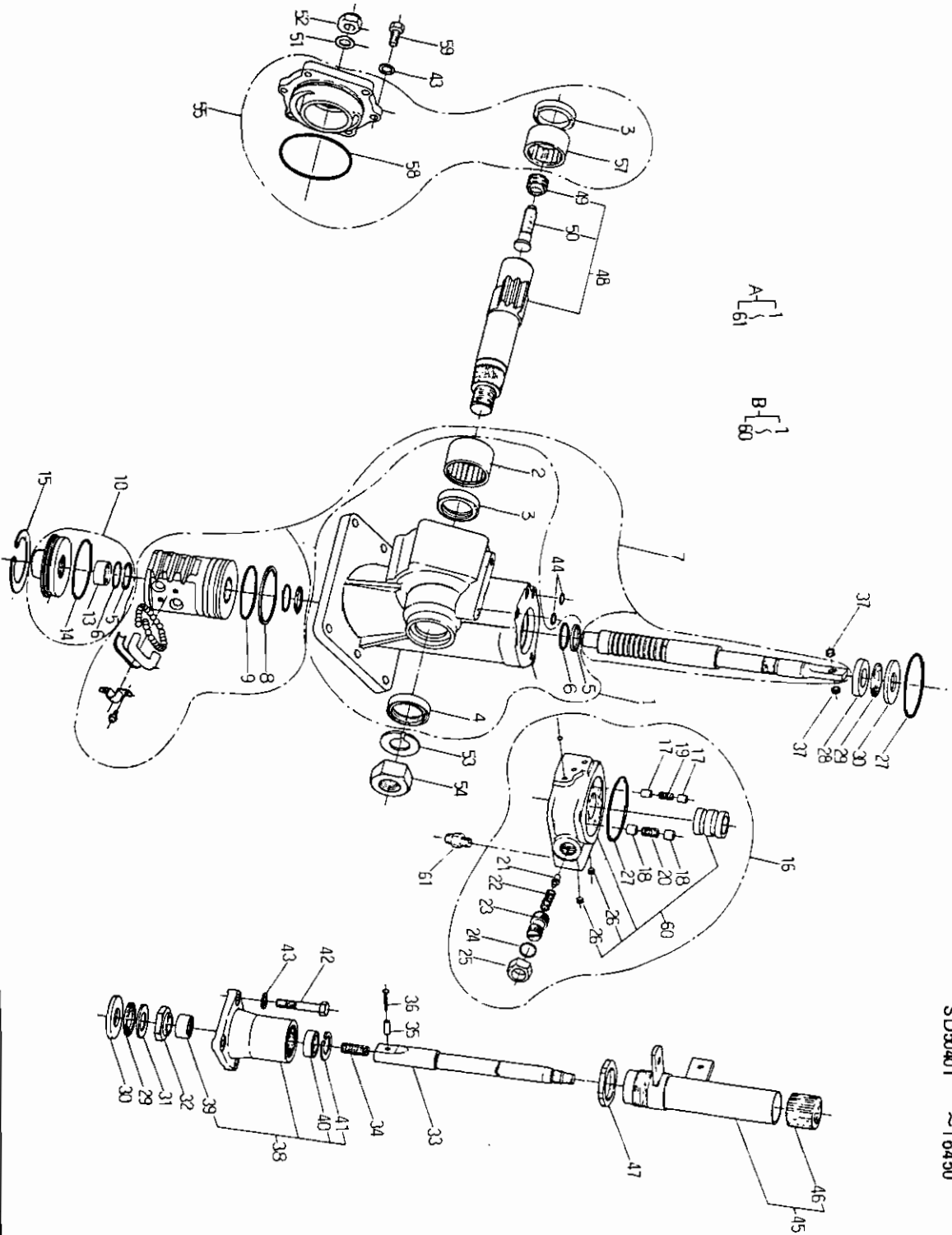
BINDER NO.
I SP 3 0 0 2

SUPPLEMENT NO.



25. POWER STEERING

SD4300	~15211
SD4340	~16435
SD5000T	~15211
SD5040T	~16450



(1-87)

BINDER NO.	
ISP3 2 2	

SUPPLEMENT NO.	



25. POWER STEERING

SD4300 ~15211
 SD4340 ~16435
 SD5000T ~15211
 SD5040T ~16450

管理コード

REF.NO.	CODE NO.	PART	NAME	Qty								Min.Qty	REMARKS			
				S	D	S	D	S	D	S	D					
31	33429 1340	THRUST WASHER		1	1					1	1					
32	33429 1360	NUT		1	1					1	1					
33	33429 2086	SHAFT		1	1					1	1					
34	33429 2029	SPRING		1	1					1	1					
35	03030 0518	SPRING PIN		1	1					1	1					
36	33429 2028	RIVET		1	1					1	1					
37	33429 1280	O-RING		2	2					2	2					
38	33429 2115	REAR COVER ASS'Y		1	1					1	1					
39	33429 2022	NEEDLE BEARING		1	1					1	1					
40	33429 2023	OIL SEAL		1	1					1	1					
41	03650 0032	SNAP RING		1	1					1	1					
42	33429 1390	BOLT		3	3					3	3					
43	02710 0010	SPRING WASHER		9	9					9	9					
44	05210 0080	O-RING		2	2					2	2					
45	33429 2129	COLUMN ASS'Y		1	1					1	1					
46	33429 0530	BUSH		1	1					1	1					
47	33429 2034	NUT		1	1					1	1					
48	33429 2025	SHAFT ASS'Y		1	1					1	1					
49	33429 2027	ADJUSTER NUT		1	1					1	1					
50	33429 2026	SCREW		1	1					1	1					
51	33429 2032	GASKET		1	1					1	1					
52	33429 2031	NUT		1	1					1	1					
53	02710 0027	SPRING WASHER		1	1					1	1					
54	33429 2033	NUT		1	1					1	1					
55	33429 2122	SIDE COVER ASS'Y		1	1					1	1					
57	33429 1200	NEEDLE BEARING		1	1					1	1					
58	05230 0800	O-RING		1	1					1	1					
59	33429 2030	BOLT		6	6					6	6					
60	33429 2118	BODY SPOOL ASS'Y		1	1					1	1					
61	33429 2124	ADAPTOR			2						2					(a)

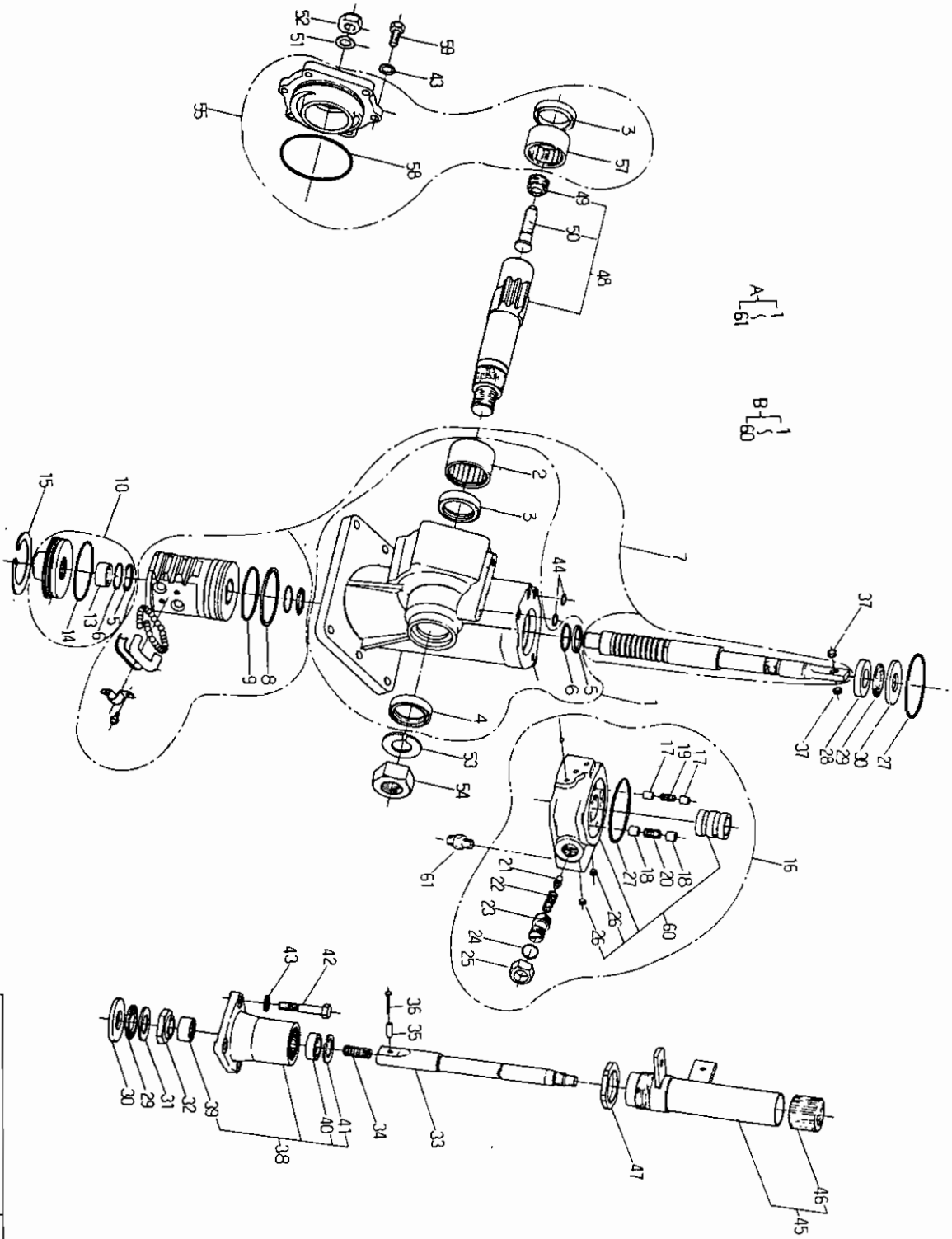
BINDER NO.
ISP3002

SUPPLEMENT NO.



25. POWER STEERING

- SD4300 ~15211
- SD4340 ~16435
- SD5000T ~15211
- SD5040T ~16450



(1-89)

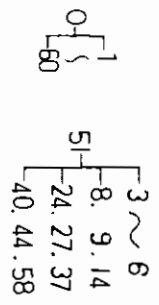
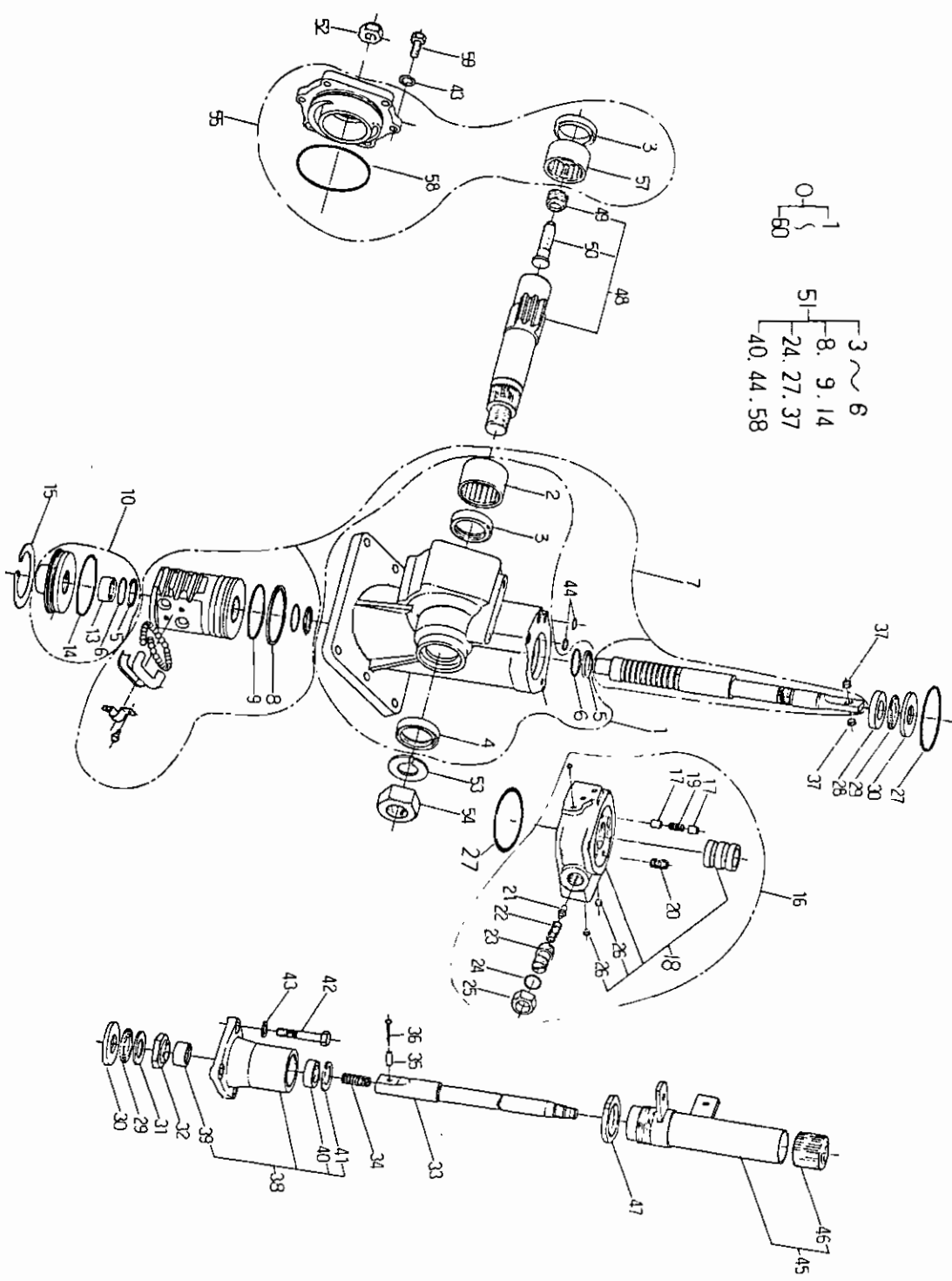
BINDER NO.	
ISP3P-2	

SUPPLEMENT NO.	



25A. POWER STEERING

- SD4300 15212~
- SD4340 16436~
- SD5000T 15212~
- SD5040T 16451~



(1 - 91)

BINDER NO.	
1SP3^~2	

SUPPLEMENT NO.	



25A. POWER STEERING

SD4300 15212 ~
 SD4340 16436 ~
 SD5000T 15212 ~
 SD5040T 16451 ~

管理コード

REF.NO.	CODE NO.	PART	NAME	Qty							Min.Qty	REMARKS			
				S	D	S	D	S	D	S			D		
0	33401 0314	STEERING CASE ASS'Y		4300											
1	33429 2119	HOUSING ASS'Y		1	1	1	1	1	1	1	1				
2	33429 1010	NEEDLE BEARING		1	1	1	1	1	1	1	1				
3	33429 1020	PACKING		2	2	2	2	2	2	2	2				
4	33429 1030	OIL SEAL		1	1	1	1	1	1	1	1				
5	33429 1040	RING		2	2	2	2	2	2	2	2				
6	33429 1050	O-RING		2	2	2	2	2	2	2	2				
7	33429 2016	SHAFT ASS'Y		1	1	1	1	1	1	1	1				
8	33429 1070	RING		1	1	1	1	1	1	1	1				
9	05230 0600	O-RING		1	1	1	1	1	1	1	1				
10	33429 2120	FRONT COVER ASS'Y		1	1	1	1	1	1	1	1				
13	33429 1090	NEEDLE BEARING		1	1	1	1	1	1	1	1				
14	05230 0650	O-RING		1	1	1	1	1	1	1	1				
15	03650 0072	SNAP RING		1	1	1	1	1	1	1	1				
16	33429 2209	VALVE ASS'Y		1	1	1	1	1	1	1	1				
17	33429 1110	PISTON		4	4	4	4	4	4	4	4				
18	33429 2210	BODY SPOOL ASS'Y		1	1	1	1	1	1	1	1				
19	33429 1130	SPRING		2	2	2	2	2	2	2	2				
20	33429 2195	SPRING		2	2	2	2	2	2	2	2				
21	33429 2196	POPETT		1	1	1	1	1	1	1	1				
22	33429 1160	SPRING		1	1	1	1	1	1	1	1				
23	33429 2198	SCREW		1	1	1	1	1	1	1	1				
24	33429 2200	O-RING		1	1	1	1	1	1	1	1				
25	33429 2199	LOCK NUT		1	1	1	1	1	1	1	1				
26	06460 9002	PLUG		2	2	2	2	2	2	2	2				
27	33429 1370	O-RING		2	2	2	2	2	2	2	2				
28	33429 1320	THRUST WASHER		1	1	1	1	1	1	1	1				
29	33429 1350	THRUST BEARING		2	2	2	2	2	2	2	2				
30	33429 1330	THRUST WASHER		2	2	2	2	2	2	2	2				
31	33429 2062	THRUST WASHER		1	1	1	1	1	1	1	1				

RINGER NO

1SP3002

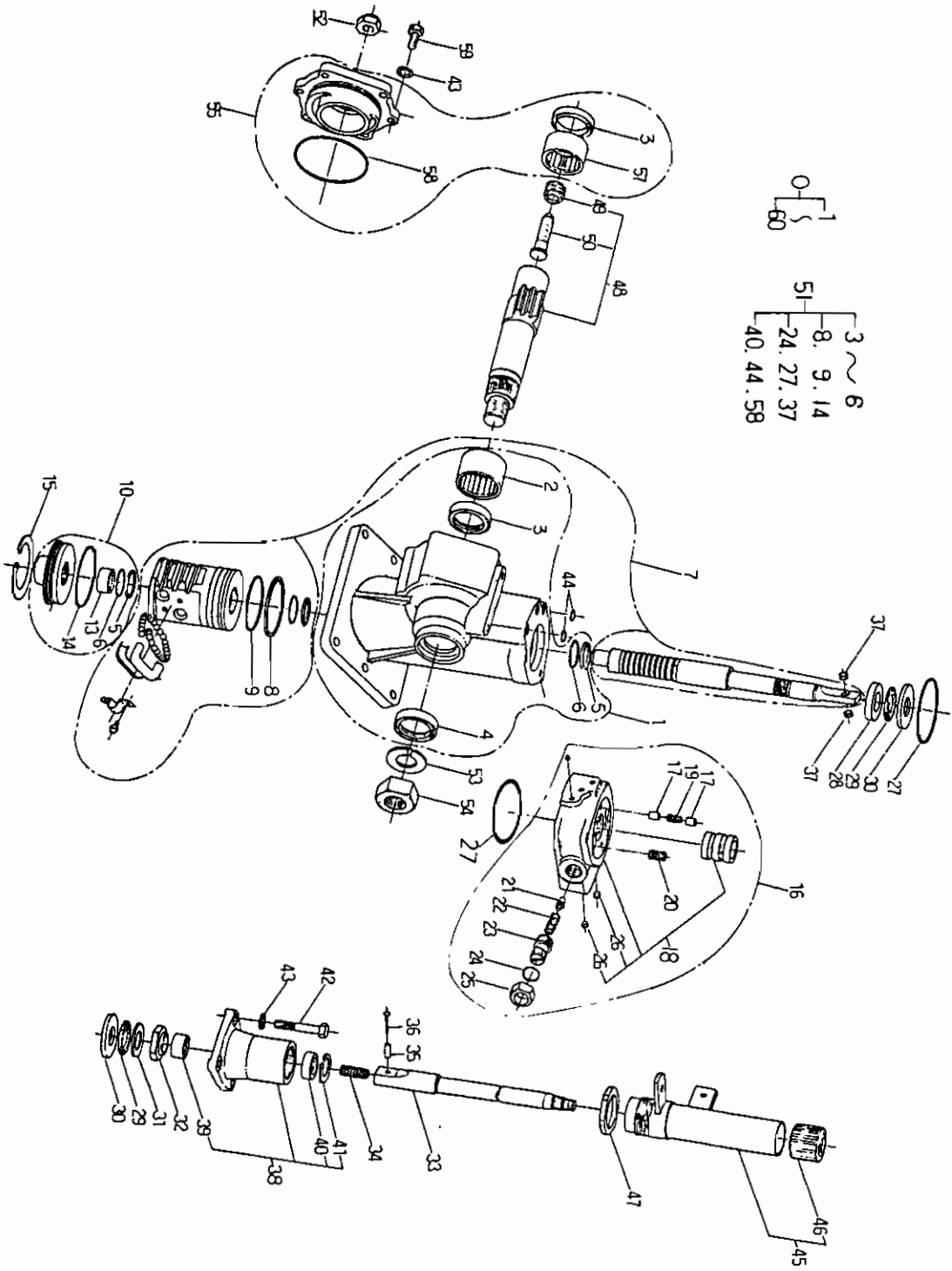
(1-92)

SUPPLEMENT NO.



25A. POWER STEERING

SD4300 15212~
 SD4340 16436~
 SD5000T 15212~
 SD5040T 16451~



- 0 { 1
- 1 { 60
- 3 ~ 6 { 8, 9, 14
- 51 { 24, 27, 37
- 40, 44, 58

(1 - 93)

BINDER NO.	
ISP3002	

SUPPLEMENT NO.	



25A. POWER STEERING

SD4300 15212 ~
 SD4340 16436 ~
 SD5000T 15212 ~
 SD5040T 16451 ~

管理コード

REF.NO.	CODE NO.	PART	NAME	Qty								Min.Qty	REMARKS
				S D 4300	S D 4340	S D 4500	S D 4540	S D 5000T	S D 5040T	S D	S D		
32	33429 1360	NUT		1	1	1	1	1	1	1	1		
33	33429 2086	SHAFT		1	1	1	1	1	1	1	1		
34	33429 2029	SPRING		1	1	1	1	1	1	1	1		
35	03030 0518	SPRING PIN		1	1	1	1	1	1	1	1		
36	33429 2028	RIVET		1	1	1	1	1	1	1	1		
37	33429 1280	O-RING		2	2	2	2	2	2	2	2		
38	33429 2115	REAR COVER ASS'Y		1	1	1	1	1	1	1	1		
39	33429 2022	NEEDLE BEARING		1	1	1	1	1	1	1	1		
40	33429 2023	OIL SEAL		1	1	1	1	1	1	1	1		
41	03650 0032	SNAP RING		1	1	1	1	1	1	1	1		
42	33429 1390	BOLT		3	3	3	3	3	3	3	3		
43	02710 0010	SPRING WASHER		9	9	9	9	9	9	9	9		
44	05210 0080	O-RING		2	2	2	2	2	2	2	2		
45	33429 2129	COLUMN ASS'Y		1	1	1	1	1	1	1	1		
46	33429 0530	BUSH		1	1	1	1	1	1	1	1		
47	33429 2034	NUT		1	1	1	1	1	1	1	1		
48	33429 2025	SHAFT ASS'Y		1	1	1	1	1	1	1	1		
49	33429 2027	ADJUSTER NUT		1	1	1	1	1	1	1	1		
50	33429 2026	SCREW		1	1	1	1	1	1	1	1		
51	39590 0050	SEAL KIT		1	1	1	1	1	1	1	1		
52	33429 2031	NUT		1	1	1	1	1	1	1	1		
53	02710 0027	SPRING WASHER		1	1	1	1	1	1	1	1		
54	33429 2033	NUT		1	1	1	1	1	1	1	1		
55	33429 2122	SIDE COVER ASS'Y		1	1	1	1	1	1	1	1		
57	33429 1200	NEEDLE BEARING		1	1	1	1	1	1	1	1		
58	05230 0800	O-RING		1	1	1	1	1	1	1	1		
59	33429 2030	BOLT		6	6	6	6	6	6	6	6		

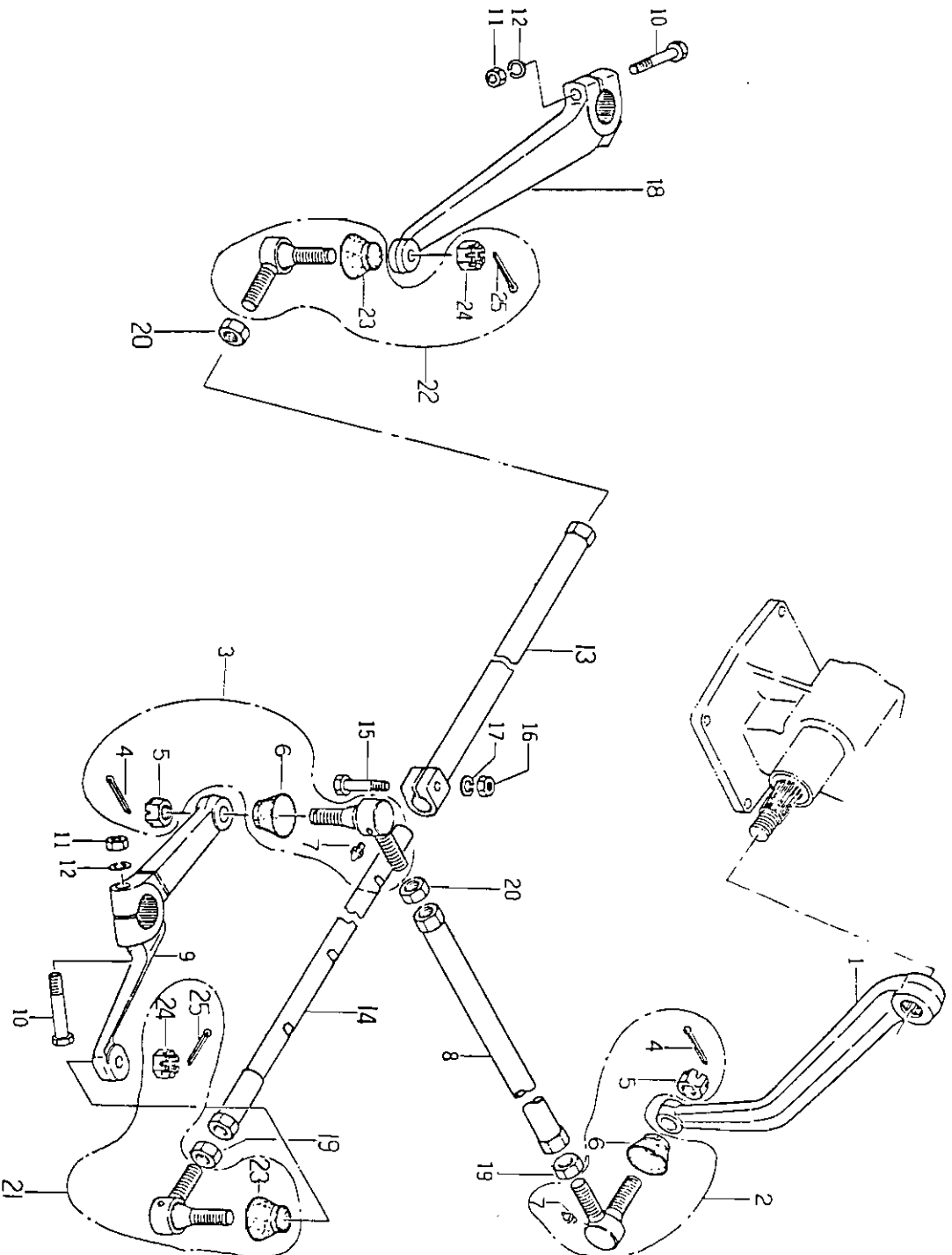
BINDER NO.
ISP3002

(1 - 94)

SUPPLEMENT NO.



26. PITMANARM; POWER STEERING



BINDER NO.
ISP3002

(1 - 95)

SUPPLEMENT NO.



26. PITMANARM; POWER STEERING

管理コード

REF.NO.	CODE NO.	PART	NAME	Qty										Min Qty	REMARKS	
				S	D	S	D	S	D	S	D	S	D			S
1	33452 1040	ARM		1				1				1				
2	33480 0110	TIE ROD END; L.H		1				1				1				
3	33480 0120	TIE ROD END; R.H		1				1				1				
4	03010 4030	SPLIT PIN		2				2				2				
5	33481 0060	CASTLE NUT		2				2				2				
6	33481 0050	RUBBER		2				2				2				
7	06061 0000	GREASE NIPPLE		2				2				2				
8	33470 0600	LINK		1				1				1				
9	33460 0262	KNUCKLE ARM; L.H		1				1				1				
10	01011 1280	BOLT		2				2				2				
11	02010 0012	NUT		2				2				2				
12	02710 0012	SPRING WASHER		2				2				2				
13	33470 0641	LINK; TIE ROD		1				1				1				
14	33470 0652	LINK; TIE ROD		1				1				1				
15	01011 1045	BOLT		1				1				1				
16	02010 0010	NUT		1				1				1				
17	02710 0010	SPRING WASHER		1				1				1				
18	33460 0251	KNUCKLE ARM; R.H		1				1				1				
19	02010 9042	NUT		2				2				2				
20	02040 0020	NUT		2				2				2				
21	33480 0070	TIE ROD END; L.H		1				1				1				
22	33480 0080	TIE ROD END; R.H		1				1				1				
23	33481 0140	RUBBER		2				2				2				
24	33481 0130	CASTLE NUT		2				2				2				
25	03010 3030	SPLIT PIN		2				2				2				

BINDER NO.

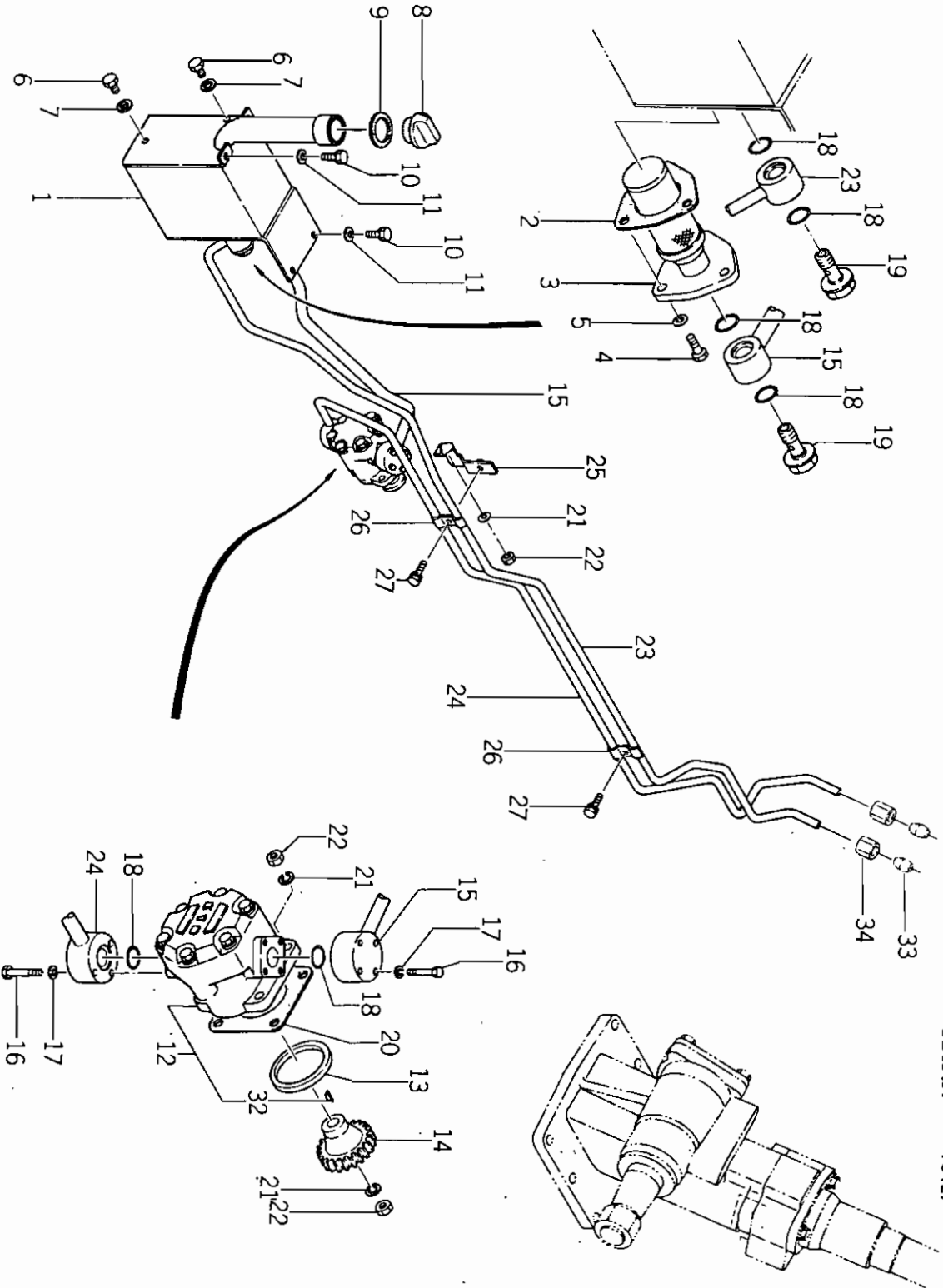
1SP3002

(1 - 96)

SUPPLEMENT NO.



27. POWER STEERING PIPING



SDA340 ~15417
SDE040T ~15427

BINDER NO.
1 S P 3 0 0 2

(1 - 97)

SUPPLEMENT NO.



27. POWER STEERING PIPING

SDA340 ~15417
SD5040T ~15427

管理コード

REF.NO.	CODE NO.	PART	NAME	Qty										MinQty	REMARKS		
				S D	S D	S D	S D	S D	S D	S D	S D	S D	S D				
1	36010 0323	TANK		4300	4340	4500	4540	5000T	5040T	5040T							
2	34099 0070	GASKET			1					1							
3	34050 0070	STRAINER			1					1							
4	01010 0820	BOLT			3					3							
5	02510 0008	SEAL WASHER			3					3							
6	06460 0010	PLUG			2					2							
7	02510 0010	SEAL WASHER			2					2							
8	39843 0110	PLUG			1					1							
9	05410 9013	GASKET			1					1							
10	01130 0816	BOLT			4					4							
11	02610 0008	WASHER			4					4							
12	34045 0260	OIL PUMP ASS'Y			1					1							
13	34047 0010	RING			1					1							
14	34046 0020	DRIVE GEAR			1					1							
15	34060 2051	OIL PIPE			1					1							SUCTION
16	01011 0635	BOLT			7					7							
17	02710 0006	SPRING WASHER			7					7							
18	05210 0200	O-RING			6					6							
19	39848 0240	CONNECTOR			2					2							
20	34099 0010	GASKET			1					1							
21	02710 0008	SPRING WASHER			6					6							
22	02010 0008	NUT			6					6							
23	34060 2062	OIL PIPE			1					1							
24	34060 2072	OIL PIPE			1					1							
25	39910 0250	CLAMP			1					1							RETURN DELIVERY
26	39911 0160	CLAMP			2					2							
27	01130 0830	BOLT			2					2							
32	03430 3013	KEY			1					1							
33	34065 0310	PIPE FITTING			2					2							
34	34065 0300	PIPE FITTING			2					2							

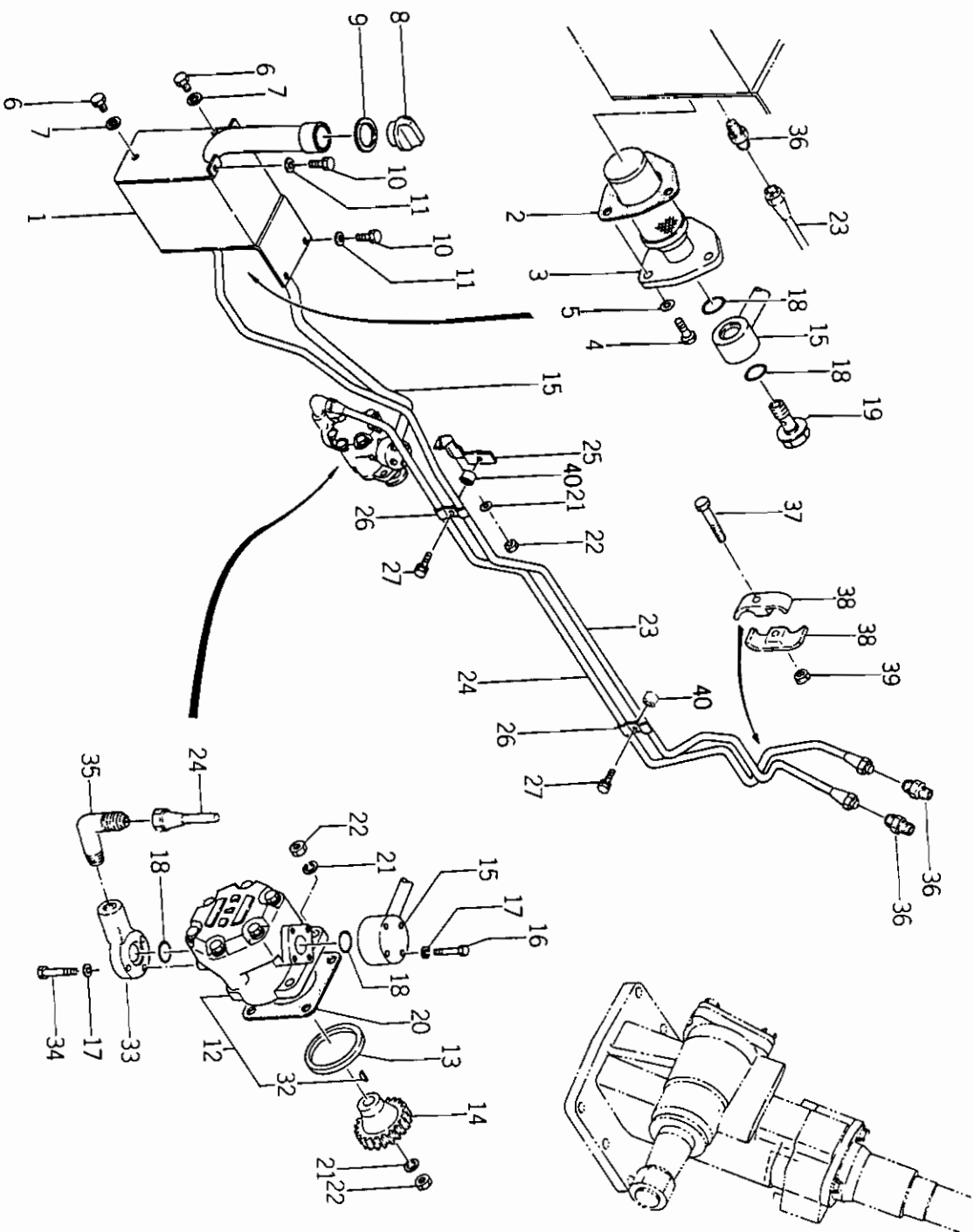
BINDER NO.
1SP3002

SUPPLEMENT NO. No.4 - FEBRUARY, 1985



27A. POWER STEERING PIPING—4 WD (2 WD—OPTION)

SD4340 15418~
SD5040T 15428~



(1 - 99)

BINDER NO.	
1 SP ~ 12	

SUPPLEMENT NO.	No 4 - FEBRUARY, 1985
----------------	-----------------------



27A. POWER STEERING PIPING—4 WD
(2WD—OPTION)

SD4340 15418~
SD5040T 15428~

管理コード

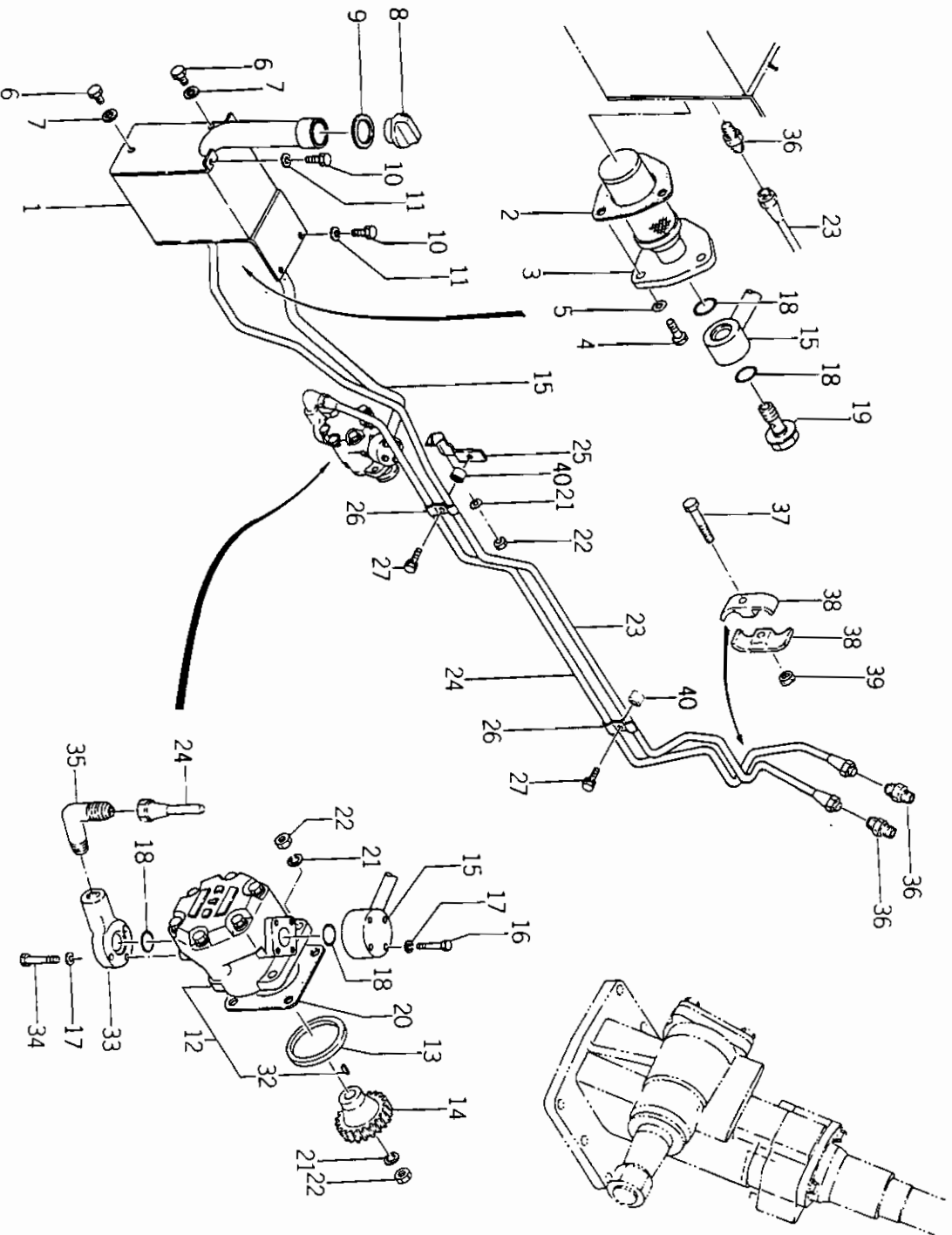
REFNO	CODE NO.	PART	NAME	Qty										Min.Qty	REMARKS		
				S D 4300	S D 4340	S D 4500	S D 4540	S D 5000T	S D 5040T	S D	S D	S D	S D				
1.	36010 0323	TANK		1	1	1	1	1	1	1	1						
2	34099 0070	GASKET		1	1	1	1	1	1	1	1						
3	34050 0070	STRAINER		1	1	1	1	1	1	1	1						
3	34050 0430	STRAINER		1	1	1	1	1	1	1	1						
4	01010 0820	BOLT		3	3	3	3	3	3	3	3						Feb., 1985
5	02510 0008	SEAL WASHER		3	3	3	3	3	3	3	3						
6	06460 0010	PLUG		2	2	2	2	2	2	2	2						
7	02510 0010	SEAL WASHER		2	2	2	2	2	2	2	2						
8	39843 0110	PLUG		1	1	1	1	1	1	1	1						
9	05410 9013	GASKET		1	1	1	1	1	1	1	1						
10	01130 0816	BOLT		4	4	4	4	4	4	4	4						
11	02610 0008	WASHER		4	4	4	4	4	4	4	4						
12	34045 0260	OIL PUMP ASS'Y		1	1	1	1	1	1	1	1						
13	34047 0010	RING		1	1	1	1	1	1	1	1						
14	34046 0020	DRIVE GEAR		1	1	1	1	1	1	1	1						
15	34060 2051	OIL PIPE		1	1	1	1	1	1	1	1						SUCTION
16	01011 0635	BOLT		4	4	4	4	4	4	4	4						
17	02710 0006	SPRING WASHER		7	7	7	7	7	7	7	7						
18	05210 0200	O-RING		4	4	4	4	4	4	4	4						
19	39848 0240	CONNECTOR		1	1	1	1	1	1	1	1						
20	34099 0010	GASKET		1	1	1	1	1	1	1	1						(c)
20	34099 0011	GASKET		1	1	1	1	1	1	1	1						(d)
21	02710 0008	SPRING WASHER		6	6	6	6	6	6	6	6						
22	02010 0008	NUT		6	6	6	6	6	6	6	6						
23	34060 3300	OIL PIPE		1	1	1	1	1	1	1	1						RETURN
24	34060 3280	OIL PIPE		1	1	1	1	1	1	1	1						DELIVERY
25	39910 0250	CLAMP		1	1	1	1	1	1	1	1						
26	39911 0160	CLAMP		2	2	2	2	2	2	2	2						
27	01130 0830	BOLT		2	2	2	2	2	2	2	2						
32	03430 3013	KEY		1	1	1	1	1	1	1	1						

BINDER NO.
1SP3002



27A. POWER STEERING PIPING—4 WD (2 WD—OPTION)

SD4340 15418~
SD5040T 15428~



BINDER NO.
1 SP 3 0 0 2

(1 - 101)

SUPPLEMENT NO.	NO 4 - FEBRUARY, 1985
----------------	-----------------------



27A. POWER STEERING PIPING—4 WD
(2 WD—OPTION)

SD4340 15418~
SD5040T 15428~

管理コード

REFNO	CODE NO.	PART	NAME	Qty										Min Qty	REMARKS		
				S	D	S	D	S	D	S	D	S	D				
33	34062 0492	FLANGE		4300	4340	4500	4540	5000T	5040T								
34	01011 0625	BOLT		1	1	1	1	1	1	1	1	1	1	1	1	1	
35	34067 0900	ADAPTOR		3	3	3	3	3	3	3	3	3	3	3	3	3	
36	34067 0880	ADAPTOR		1	1	1	1	1	1	1	1	1	1	1	1	1	
37	01010 0630	BOLT		3	3	3	3	3	3	3	3	3	3	3	3	3	(a)
38	39910 0630	CLAMP		1	1	1	1	1	1	1	1	1	1	1	1	1	(a)
39	02240 0006	U-NUT		2	2	2	2	2	2	2	2	2	2	2	2	2	(a)
40	39923 3250	COLLAR		1	1	1	1	1	1	1	1	1	1	1	1	1	(b)
	{ SD4300	15222~	{ SD4300	15229~	{ SD4500	~10037	{ SD4500	10038~									
	{ SD4340	16766~	{ SD4340	16901~	{ SD4540	~10037	{ SD4540	10038~									
	{ SD5000T	15222~	{ SD4500	10014~	{ SD5000T	~50165	{ SD5000T	50166~									
	{ SD5040T	16766~	{ SD4540	10014~	{ SD5046T	~50189	{ SD5040T	50190~									
			{ SD5000T	15230~50000, 50042~													
			{ SD5040T	16901~50000, 50042~													

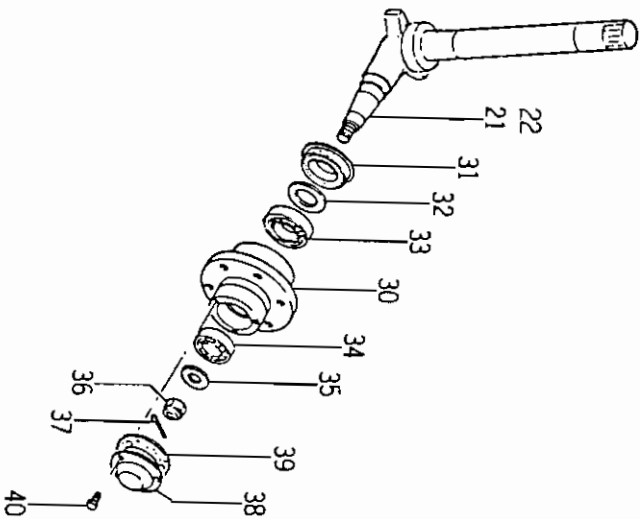
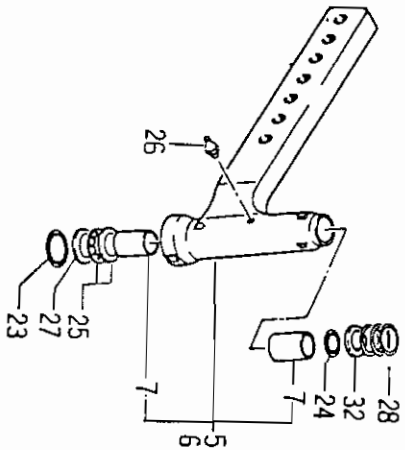
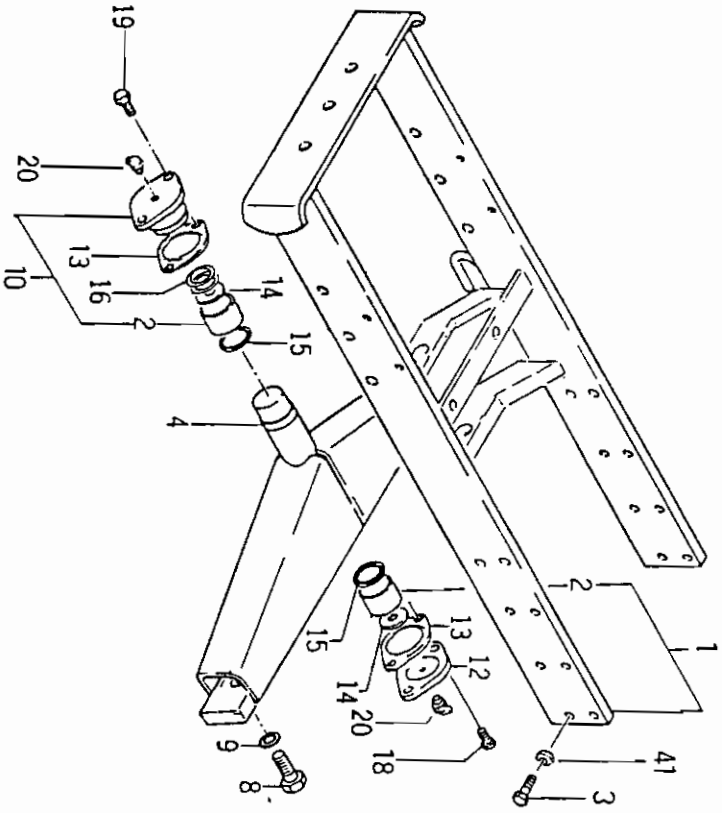
BINDER NO.
ISP3002

(1-102)

SUPPLEMENT NO. No 5-AUGUST, 1985



28. FRONT AXLE; MANUAL



BINDER NO.
1 SP 002

(1 - 103)

SUPPLEMENT NO.



28. FRONT AXLE; MANUAL

管理コード

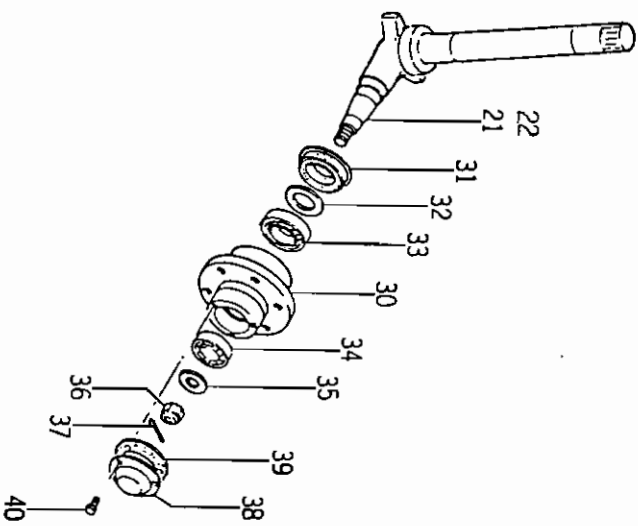
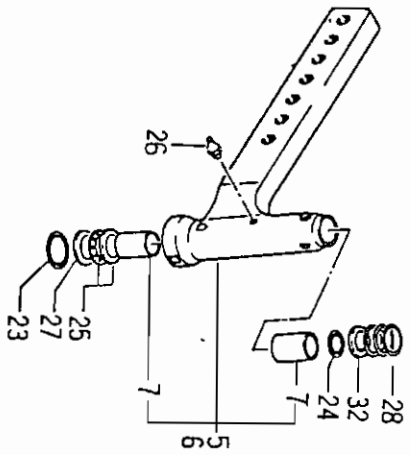
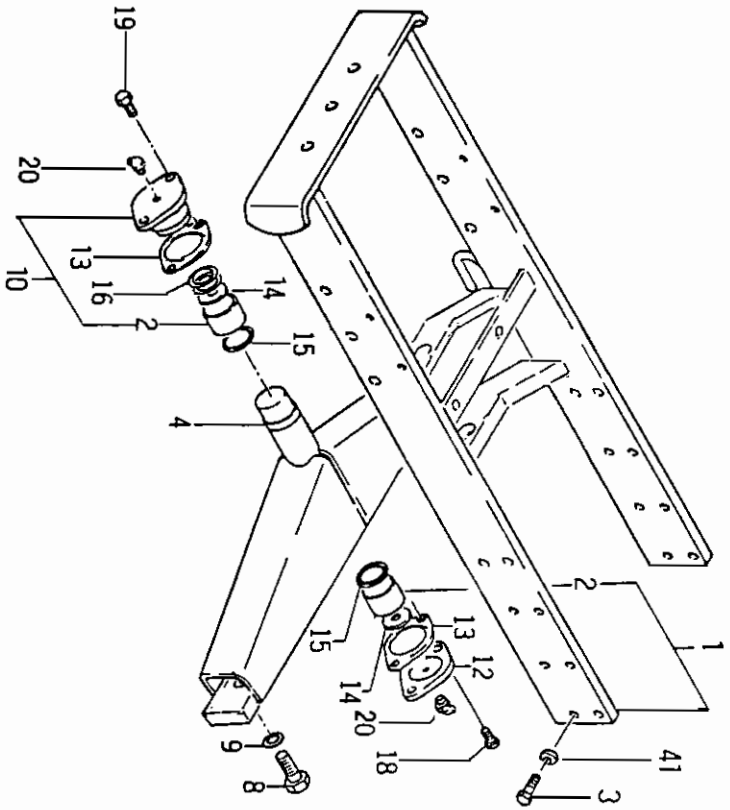
REF.NO.	CODE NO.	PART	NAME	Qty								MinQty	REMARKS			
				S	D	S	D	S	D	S	D			S	D	
1	33001 0500	SUPPORT ASS'Y		1												
1	33001 1110	SUPPORT ASS'Y				1										
2	39851 0090	BUSH		2		2										
3	01010 9180	BOLT		16		16										
4	33020 0060	FRONT AXLE SHAFT		1		1										
5	33002 0340	AXLE SHAFT ASS'Y; L.H		1		1										
6	33002 0330	AXLE SHAFT ASS'Y; R.H		1		1										
7	39851 0130	BUSH		4		4										
8	01011 2070	BOLT		6		6										
9	02710 0020	SPRING WASHER		6		6										
10	32201 1240	CASING ASS'Y		1		1										
12	33052 0100	PIVOT SHAFT COVER		1		1										
13	33099 0020	GASKET		2		2										
14	39926 0410	THRUST WASHER		2		2										
15	05230 0450	O-RING		2		2										
16	19928 0510	SHIM; 0.2		A/R		A/R										
16	19928 0520	SHIM; 0.5		A/R		A/R										
18	01131 1230	BOLT		2		2										
19	01131 1235	BOLT		2		2										
20	06063 0000	GREASE NIPPLE		2		2										
21	33031 0651	KING PIN; L.H		1		1										
22	33031 0661	KING PIN; R.H		1		1										
23	05230 0500	O-RING		2		2										
24	05030 9010	OIL SEAL		2		2										
25	39856 0090	BEARING ASS'Y		2		2										
26	06062 0000	GREASE NIPPLE		2		2										
27	39926 1040	THRUST WASHER		2		2										
28	19928 0540	SHIM; 0.2		A/R		A/R										
28	19928 0550	SHIM; 0.5		A/R		A/R										
30	33046 0230	FRONT WHEEL HUB		2		2										

BINDER NO.
ISP3002

SUPPLEMENT NO.



28. FRONT AXLE: MANUAL



BINDER NO.	2
1 SP 3	

(1 — 105)

SUPPLEMENT NO.	
----------------	--



28. FRONT AXLE; MANUAL

管理コード

REFNO.	CODE NO.	PART	NAME	Qty								Min. Qty	REMARKS				
				S	D	4300	4340	4500	4540	5000T	5040T						
31	05060 9003	OIL SEAL		2		2		2		2							
32	39921 0010	SPACER		4		4		4		4							
33	04253 0207	BEARING		2		2		2		2							
34	04253 0205	BEARING		2		2		2		2							
35	39921 0180	SPACER		2		2		2		2							
36	02210 0016	CASTLE NUT		2		2		2		2							
37	03010 3025	SPLIT PIN		2		2		2		2							
38	33038 0060	WHEEL CAP		2		2		2		2							
39	33099 0010	GASKET		2		2		2		2							(a) 1 (b) 1
39	33099 0011	GASKET															
40	01115 0612	BOLT		6		6		6		6							
41	02710 0014	SPRING WASHER		16		16		16		16							
	(a) { SD4500 SD5000T	~10037 ~50165	(b) { SD4500 SD5000T	~10038~ ~50166~													

BINDER NO.

1SP3002

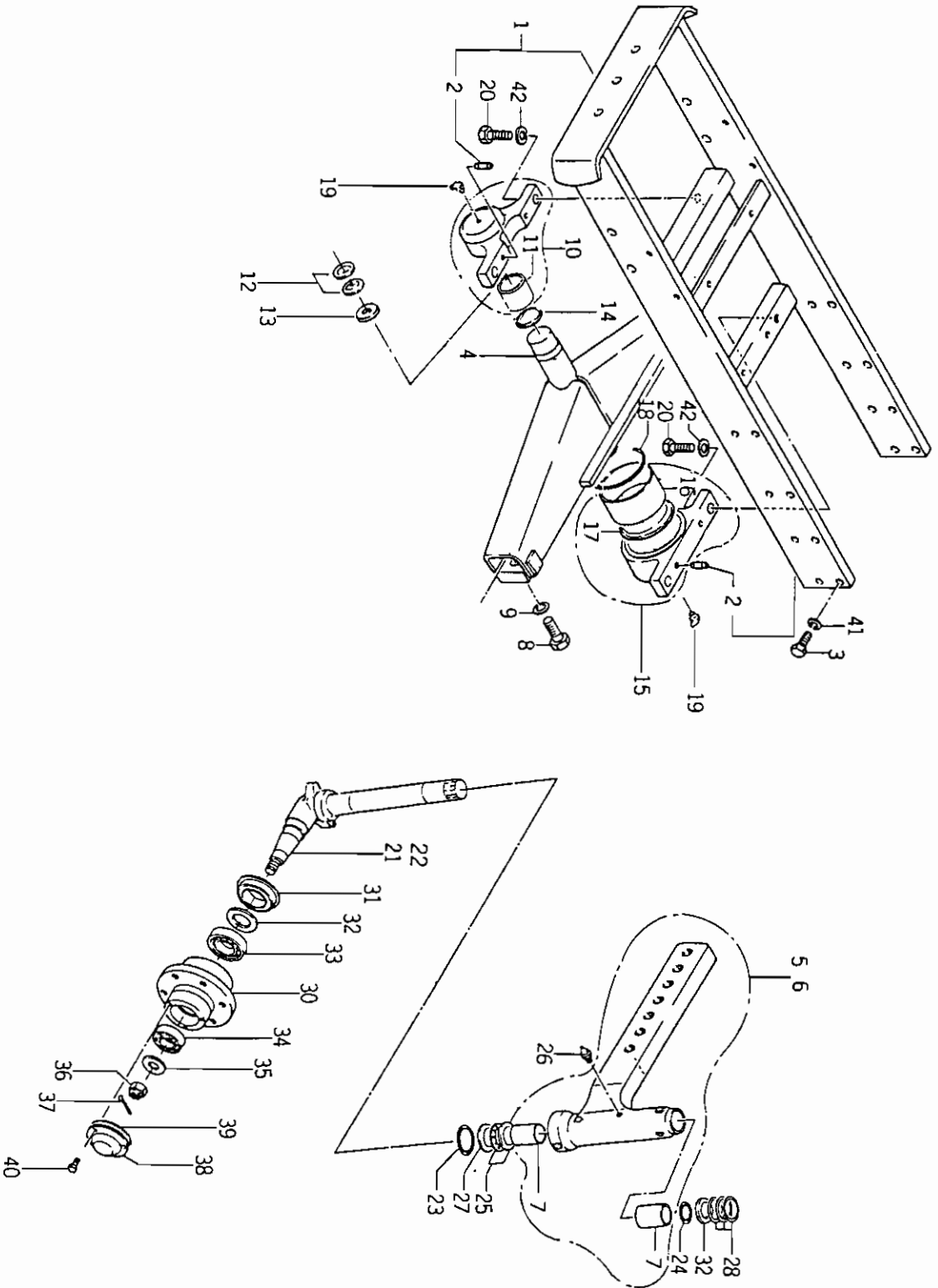
(1-106)

SUPPLEMENT NO.

No.5-AUGUST, 1985



29. FRONT AXLE; POWER STEERING



BINDER NO.
1SP3002

(1 - 107)

SUPPLEMENT NO.



29. FRONT AXLE; POWER STEERING

管理コード

REFNO.	CODE NO.	PART	NAME	Qty								MinQty	REMARKS													
				S	D	4300	S	D	4340	S	D			4500	S	D	4540	S	D	5000T	S	D	5040T			
1	33001 0450	SUPPORT ASS'Y		1																						
1	33001 1100	SUPPORT ASS'Y																								
2	03050 1025	DOWEL PIN		4																						
3	01010 9180	BOLT		16																						
4	33020 0400	FRONT AXLE SHAFT		1																						
5	33002 0340	AXLE SHAFT ASS'Y; L,H		1																						
6	33002 0330	AXLE SHAFT ASS'Y; R,H		1																						
7	39851 0130	BUSH		4																						
8	01011 2070	BOLT		6																						
9	02710 0020	SPRING WASHER		6																						
10	32201 1520	CASING ASS'Y		1																						
11	39851 0490	BUSH		1																						
12	19928 0510	SHIM; 0.2		A/R																						
12	19928 0520	SHIM; 0.5		A/R																						
13	39926 0410	THRUST WASHER		A/R																						
14	05230 0450	O-RING		1																						
15	32201 1510	CASING ASS'Y		1																						
16	39851 0450	BUSH		1																						
17	39926 1030	THRUST WASHER		1																						
18	05230 0700	O-RING		1																						
19	06063 0000	GREASE NIPPLE		2																						
20	01011 1645	BOLT		4																						
21	33031 0651	KING PIN; L,H		1																						
22	33031 0661	KING PIN; R,H		1																						
23	05230 0500	O-RING		2																						
24	05030 9010	OIL SEAL		2																						
25	39856 0090	BEARING ASS'Y		2																						
26	06062 0000	GREASE NIPPLE		2																						
27	39926 1040	THRUST WASHER		2																						
28	19928 0540	SHIM; 0.2		A/R																						

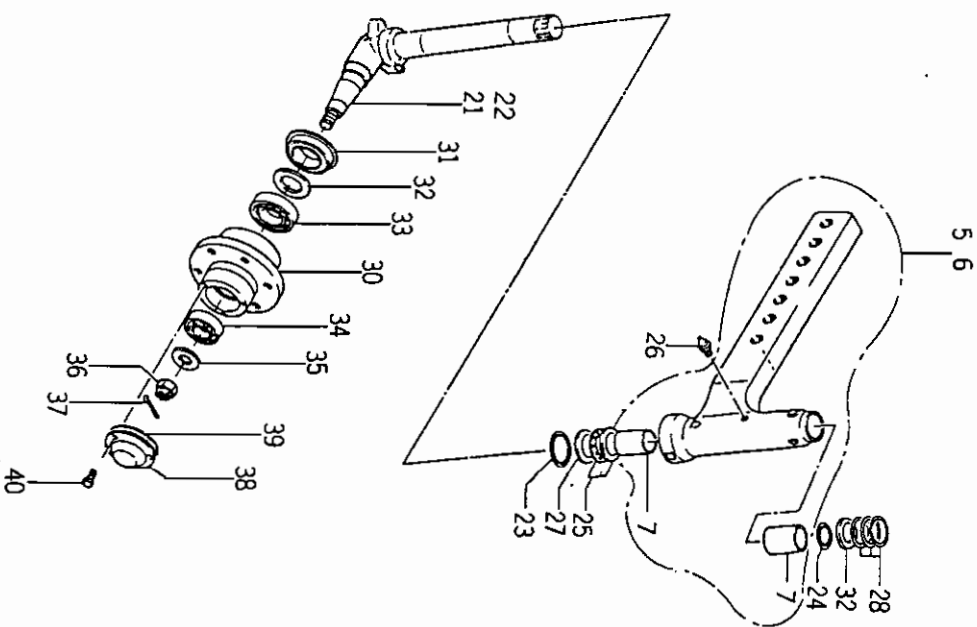
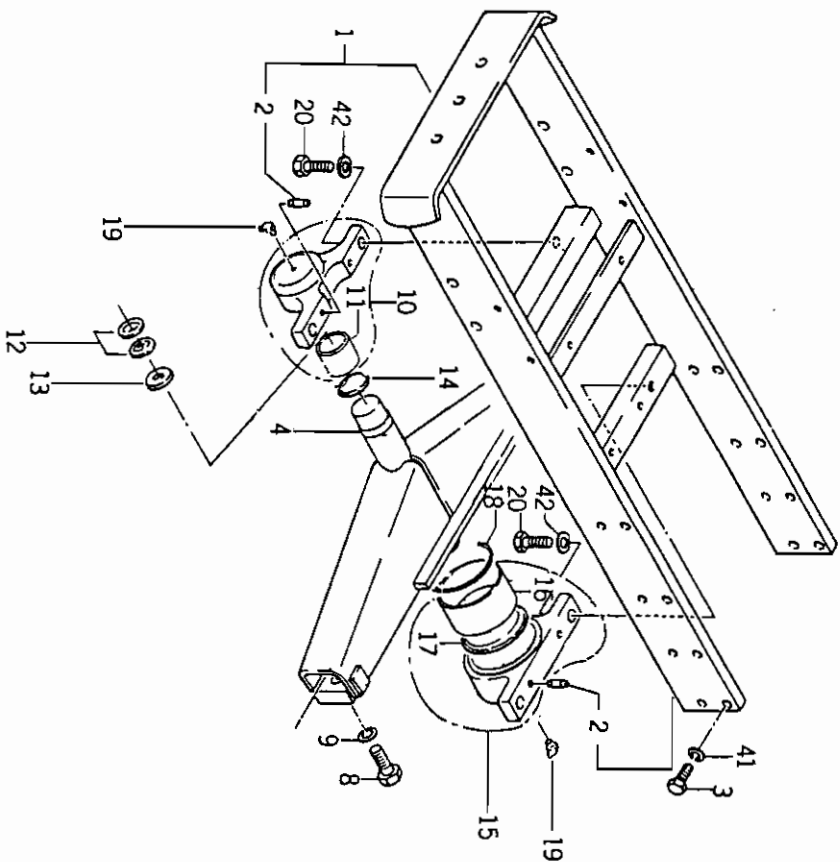
BINDER NO.
1SP3002

(1-108)

SUPPLEMENT NO.



29. FRONT AXLE; POWER STEERING



BINDER NO.
1SP3002

(1-109)

SUPPLEMENT NO.	



29. FRONT AXLE; POWER STEERING

管理コード

REFNO	CODE NO.	PART	NAME	Qty							Min Qty	REMARKS			
				S D 4300	S D 4340	S D 4500	S D 4540	S D 5000T	S D 5040T	A/R					
28	19928 0550	SHIM: 0.5		A/R		A/R		A/R							
30	33046 0230	FRONT WHEEL HUB		2		2		2							
31	05060 9003	OIL SEAL		2		2		2							
32	39921 0010	SPACER		4		4		4							
33	04253 0207	BEARING		2		2		2							
34	04253 0205	BEARING		2		2		2							
35	39921 0180	SPACER		2		2		2							
36	02210 0016	CASTLE NUT		2		2		2							
37	03010 3025	SPLIT PIN		2		2		2							
38	33038 0060	WHEEL CAP		2		2		2							
39	33099 0010	GASKET		2		2		2							(a)
39	33099 0011	GASKET				2		2							(b)
40	01115 0612	BOLT		6		6		6							
41	02710 0014	SPRING WASHER		16		16		16							
42	02710 0016	SPRING WASHER		4		4		4							
(a) { SD4500 ~10037 SD5000T ~50165				(b) { SD4500 10038~ SD5000T 50166~											

(a) (b)

BINDER NO.
ISP3002

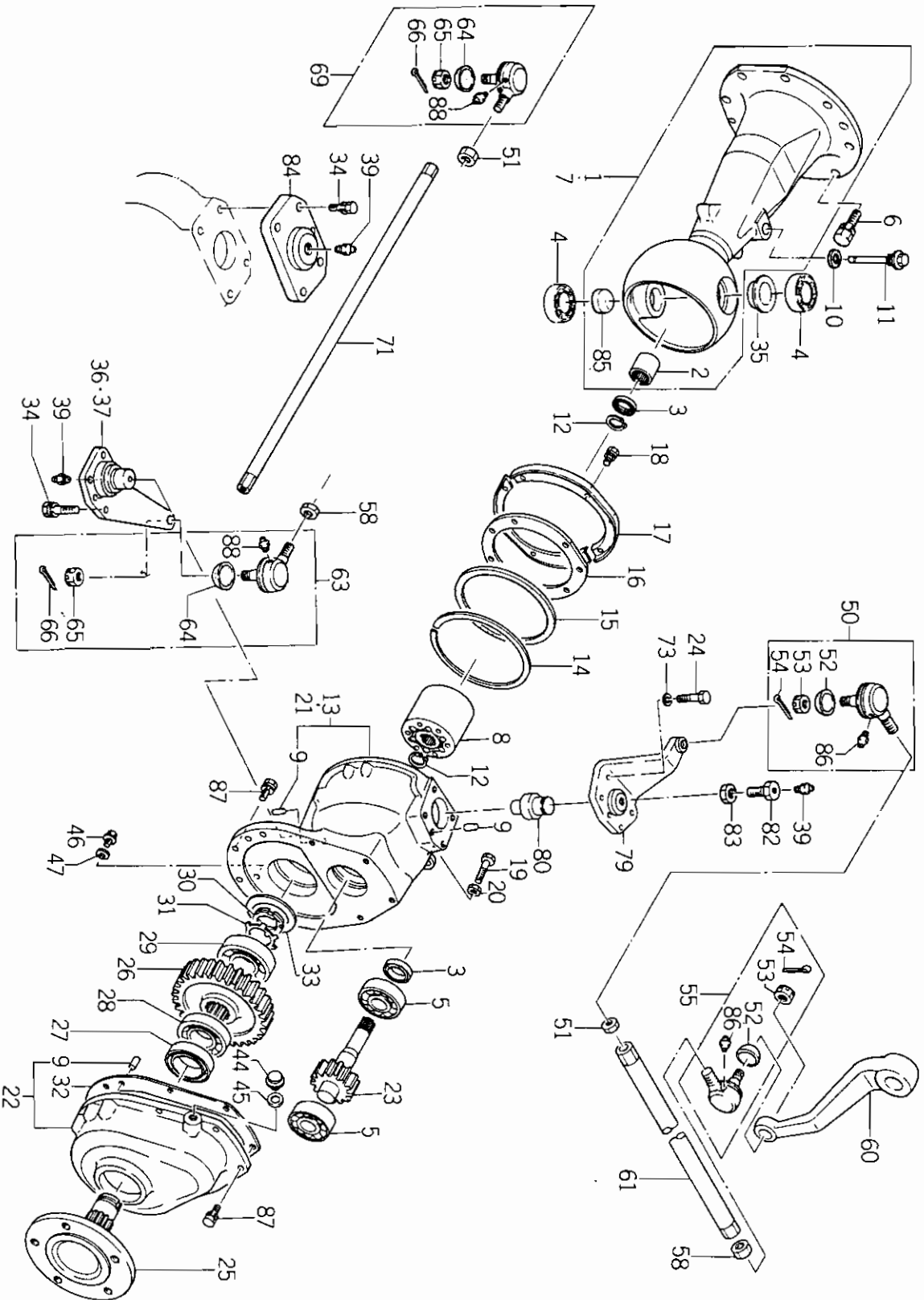
(1 - 110)

SUPPLEMENT NO. No 5 - AUGUST, 1985



30. FRONT AXLE

SD5040T ~50000



(1 - 111)

BINDER NO.
ISP3002

SUPPLEMENT NO.



30. FRONT AXLE

SD5040T ~50000

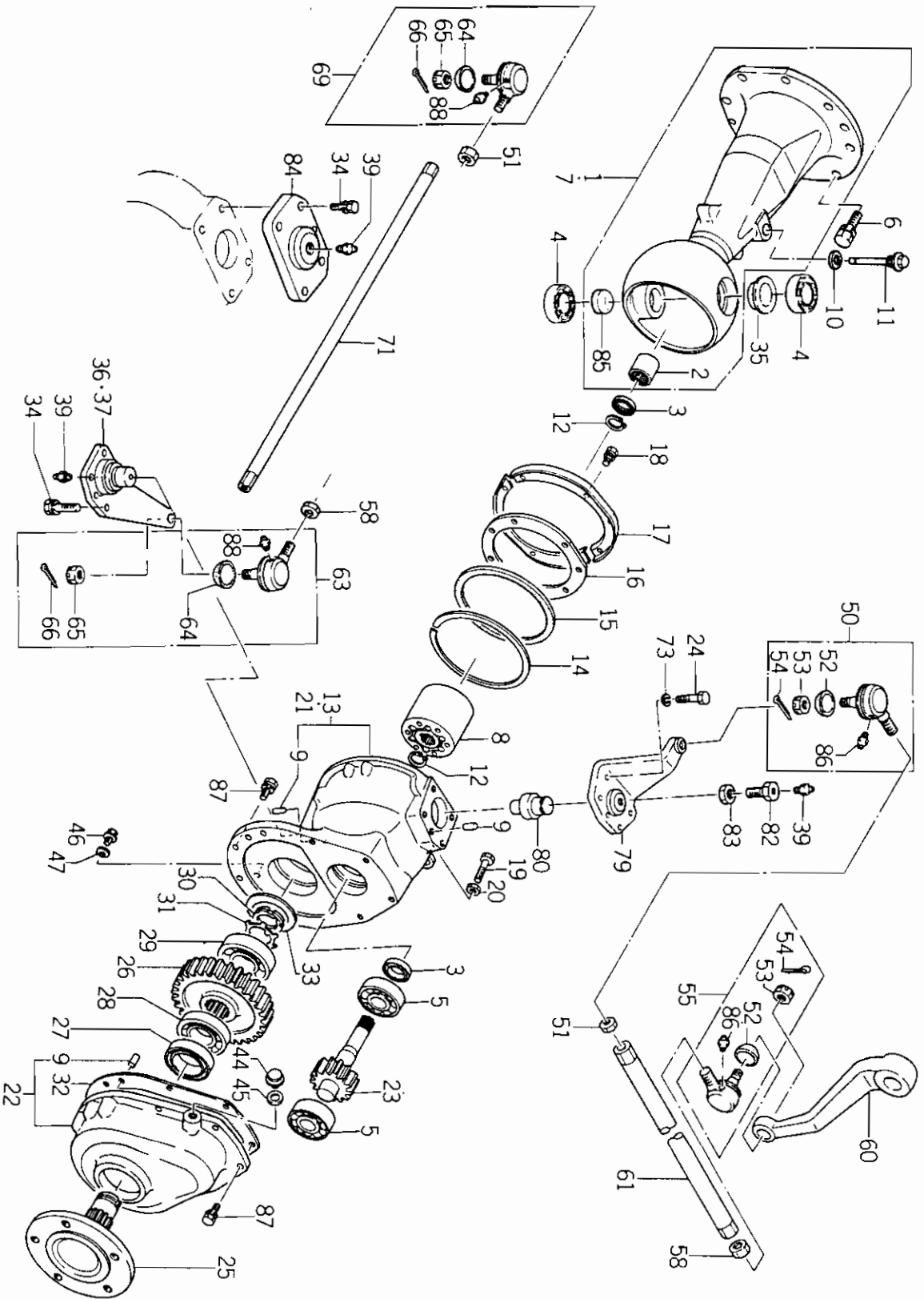
管理コード

REF.NO.	CODE NO.	PART	NAME	Qty										Min.Qty	REMARKS			
				S	D	S	D	S	D	S	D	S	D			S	D	
1	32602 0720	CASING ASS'Y; L.H		4300	4340	4500	4540	5000T	5040T									
2	04230 3015	NEEDLE BEARING			2													
3	05010 2230	OIL SEAL			4													
4	04253 2206	BEARING			4													
5	04010 6306	BEARING			4													
6	01131 1235	BOLT			16										16			
7	32602 0710	CASING ASS'Y; R.H			1										1			
8	39838 0060	JOINT			2										2			
9	03050 1025	DOWEL PIN			7										7			
10	39899 0050	GASKET			1										1			
11	39840 0130	GAUGE			1										1			
12	39834 0080	CLIP			4										4			
13	32201 1380	CASING ASS'Y; L.H			1										1			
14	33017 0171	PLATE			2										2			
15	39813 0061	FELT			2										2			
16	32676 0020	DUST SEAL			2										2			(a)
16A	32676 0021	DUST SEAL			2										2			(b)
17	33017 0180	PLATE			4										4			
18	01130 0816	BOLT			16										16			
19	01011 1645	BOLT			2										2			
20	02030 0016	NUT			2										2			
21	32201 1390	CASING ASS'Y; R.H			1										1			
22	32201 1370	CASING ASS'Y			2										2			
23	32624 0061	FINAL PINION			2										2			
24	01010 9092	BOLT			4										4			
25	32631 0532	WHEEL SHAFT			2										2			
26	32637 0120	FINAL GEAR			2										2			
27	05060 0052	OIL SEAL			2										2			
28	04010 6209	BEARING			2										2			
29	04010 6308	BEARING			2										2			



30. FRONT AXLE

SD50A0T ~50000



(1-113)

BINDER NO.
ISP3002

SUPPLEMENT NO.



30. FRONT AXLE

SD5040T ~50000

管理コード

REFNO.	CODE NO.	PART	NAME	Qty						MinQty	REMARKS		
				S D 4300	S D 4340	S D 4500	S D 4540	S D 5000T	S D 5040T				
30	02270 0400	LOCK NUT											
31	02810 0400	LOCK WASHER											
32	32299 0370	GASKET		2	2								(c) φ
32	32299 0371	PLATE		2									(d) φ
33	19928 0810	SHIM: 0.1		A/R									
33	19928 0820	SHIM: 0.2		A/R									
33	19928 0830	SHIM: 0.5		A/R									
34	01131 1235	BOLT		12									
35	39843 0380	PLUG		2									
36	33030 0743	KING PIN: L,H		1									(a)
36A	33030 1090	KING PIN: L,H		1									(b)
37	33030 0752	KING PIN: R,H		1									
37A	33030 1110	KING PIN: R,H		1									
39	06062 0000	GREASE NIPPLE		4									
44	06460 0016	PLUG		2									
45	02510 0016	SEAL WASHER		2									
46	06470 0012	PLUG		2									
46	01020 1212	BOLT		2									
47	02510 0012	SEAL WASHER		2									
50	33480 0120	TIE ROD END: R,H		1									
51	02040 0020	NUT		2									
52	33481 0050	RUBBER		2									
53	33481 0060	CASTLE NUT		2									
54	03010 4030	SPLIT PIN		2									
55	33480 0110	TIE ROD END: L,H		1									
58	02010 9042	NUT		2									
60	33452 1040	ARM		1									
61	33470 0460	LINK		1									
63	33480 0070	TIE ROD END: L,H		1									
64	33481 0140	DUST COVER		2									

φ Feb., 1985

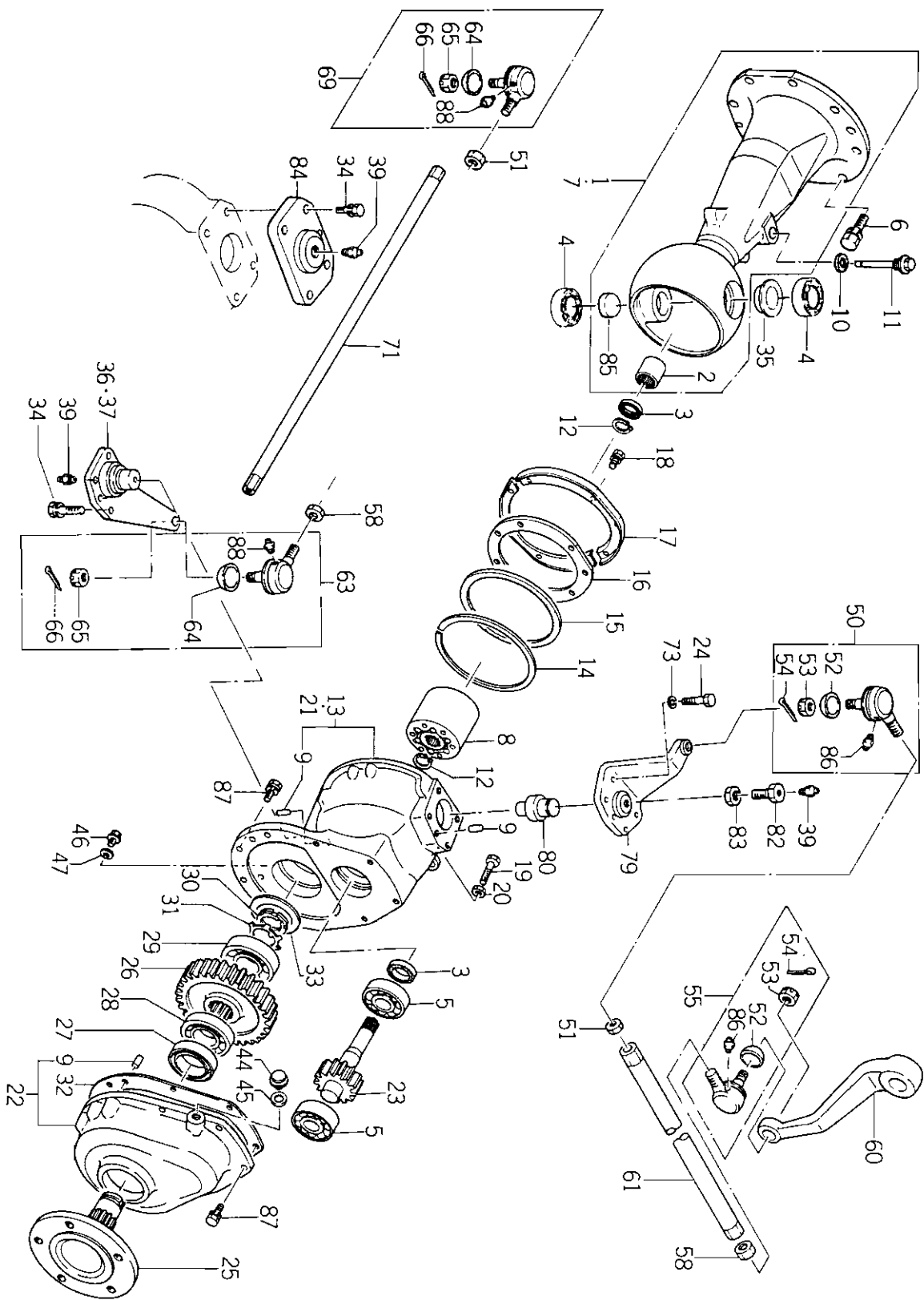
BINDER NO.
I SP 3 0 0 2

SUPPLEMENT NO. No 5 - AUGUST, 1985



30. FRONT AXLE

SD5040T ~50000



BINDER NO.	
ISP3002	

(1 - 115)

SUPPLEMENT NO.	



30. FRONT AXLE

SD5040T ~50000

管理コード

REF.NO.	CODE NO.	PART	NAME	Qty								MinQty	REMARKS		
				S D 4300	S D 4340	S D 4500	S D 4540	S D 5000T	S D 5040T	S D 50189	S D 50190~				
65	33481 0130	CASTLE NUT		2						2					
66	03010 3030	SPLIT PIN		2						2					
69	33480 0080	TIE ROD END; R.H		1						1					(a)
71	33470 0600	LINK; TIE ROD		1						1					(b)
71A	33470 0950	LINK; TIE ROD		1						1					
73	02710 0012	SPRING WASHER		4						4					
79	33030 0732	KING PIN; L.H		1						1					
80	33031 0602	KING PIN		2						2					
82	39943 0500	BOLT		2						2					
83	02030 0016	NUT		2						2					
84	33030 0722	KING PIN; R.H		1						1					
85	06420 0050	SEALING CAP		2						2					
86	06061 0000	GREASE NIPPLE		2						2					M6 x P0.75
87	01131 1030	BOLT		18						18					
88	*	GREASE NIPPLE		2						2					M6 x P1.0

USE TOGETHER WITH REF NO.16A, 36A, 37A AND 71A
WHEN REPLACING REF NO.16, 36, 37, AND 71

(a) { SD4340 ~16486 (b) { SD4340 16487~ (c) SD5040T ~50189 (d) SD5040T
SD5040T ~16507 SD5040T 16508 ~50000 50190~

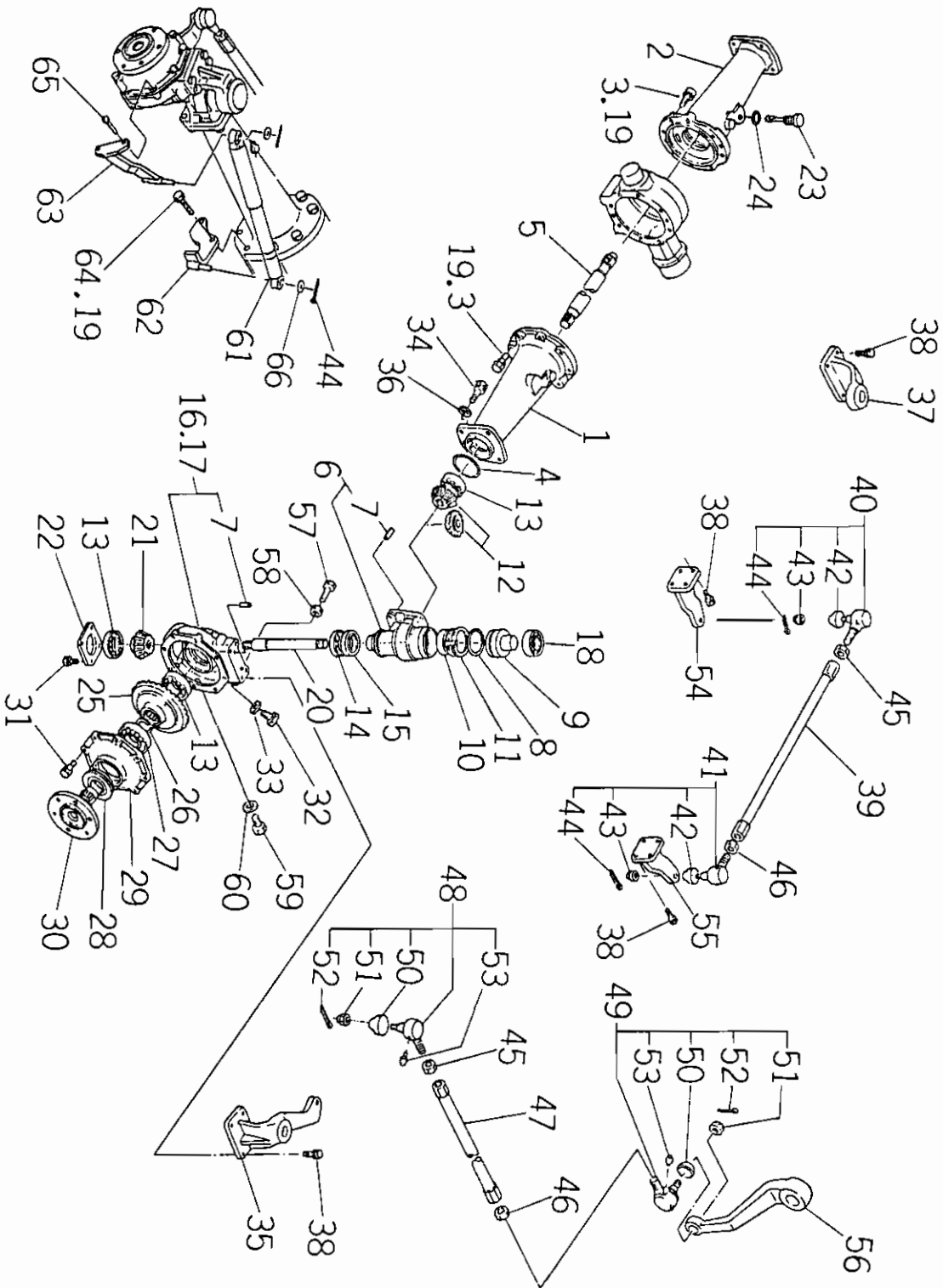
BINDER NO.
ISP3002

SUPPLEMENT NO. No 5 - AUGUST, 1985



30A. FRONT AXLE

SD5040T 50001 ~



(1-117)

BINDER NO.	
IS P 3 0 0 2	

SUPPLEMENT NO.	



30A. FRONT AXLE

管理コード

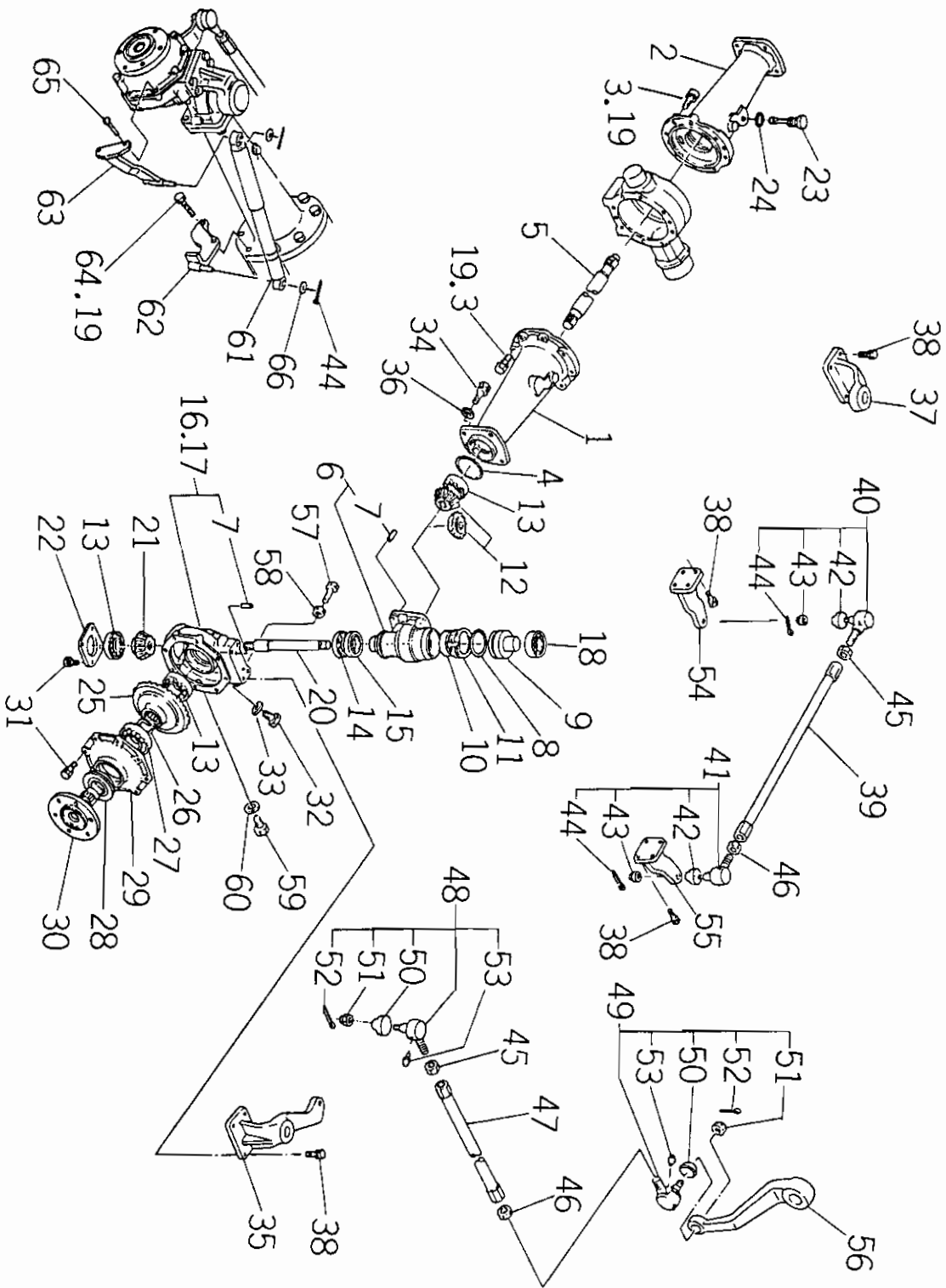
SD5040T 50001~

REFNO.	CODE NO.	PART	NAME	Qty						Min.Qty	備考 REMARKS	
				S D 4300	S D 4340	S D 4500	S D 4540	S D 5000T	S D 5040T			
1	32634 0930	CASE: L,H				1	1					(a) ⊕ (b) ⊕
2	32634 0940	CASE: R,H				1	1					(a) ⊕ (b) ⊕
3	01010 9253	BOLT				14	14					
4	05230 1050	O-RING				2	2					
5	32621 0800	DIFF SHAFT				2	2					
6	32201 2380	CASING ASS'Y				2	2					
7	03050 1032	DOWEL PIN				6	6					
8	05230 0750	O-RING				2	2					
9	33031 0880	KING PIN				2	2					
10	04010 6208	BEARING				2	2					
11	03650 0080	SNAP RING				4	4					
12	32624 0350	GEAR PINION				4	4					
13	04010 6308	BEARING				6	6					
14	04250 9006	BEARING				2	2					
15	05060 0055	OIL SEAL				2	2					
16	32201 2401	CASING ASS'Y; R,H				1	1					
17	32201 2391	CASING ASS'Y; L,H				1	1					
18	04013 6307	BEARING				2	2					
19	02710 0014	SPRING WASHER				16	16					
20	32251 1511	DRIVE SHAFT				2	2					
21	32624 0360	GEAR-PINION-FINAL				2	2					
22	32221 0870	COVER CASE				2	2					
23	39840 0150	GAUGE				1	1					
24	39899 0050	GASKET				1	1					
25	32637 0520	GEAR FINAL				2	2					
26	39834 0320	CLIP				4	4					
27	04010 6210	BEARING				2	2					
28	05060 0060	OIL SEAL				2	2					



30A. FRONT AXLE

SD5040T 50001~



(1 - 119)

BINDER NO.
ISP3002

SUPPLEMENT NO.



30A. FRONT AXLE

管理コード

SD5040T

50001~

REF.NO	CODE NO.	PART	NAME	S D		S D		S D		S D		O'ty	Min.Oty	REMARKS
				4300	4340	4500	4540	5000T	5040T					
29	32221 0880	CASE COVER					2			2				
30	32631 0880	WHEEL SHAFT					2			2				
31	01131 1030	BOLT					26			26				
32	06460 0016	PLUG					2			2				
33	02510 0016	SEAL WASHER					2			2				
34	01011 1640	BOLT					8			8				
35	33452 1750	ARM; L,H					1			1				
36	02710 0016	SPRING WASHER					8			8				
37	33452 1760	ARM; R,H					1			1				
38	01131 1235	BOLT					16			16				
39	33470 1070	LINK; TIE ROD					1			1				
40	33480 0080	TIE ROD END; R,H					1			1				
41	33480 0070	TIE ROD END; L,H					1			1				
42	33481 0140	DUST COVER					2			2				
43	33481 0130	CASTLE NUT					2			2				
44	03010 3030	SPLIT PIN					4			4				
45	02040 0020	NUT					2			2				
46	02010 9042	NUT					2			2				
47	33470 1080	LINK;					1			1				
48	33480 0120	TIE ROD END; R,H					1			1				
49	33480 0110	TIE ROD; L,H					1			1				
50	33481 0050	DUST COVER					2			2				
51	33481 0060	CASTLE NUT					2			2				
52	03010 4030	SPLIT PIN					2			2				
53	06061 0000	GREASE NIPPLE					2			2				
54	33460 0410	ARM; R,H					1			1				
55	33460 0400	ARM; L,H					1			1				
56	33452 1040	ARM					1			1				
57	01011 1235	BOLT					2			2				
58	02010 0012	NUT					2			2				

BINDER NO.
1SP3002

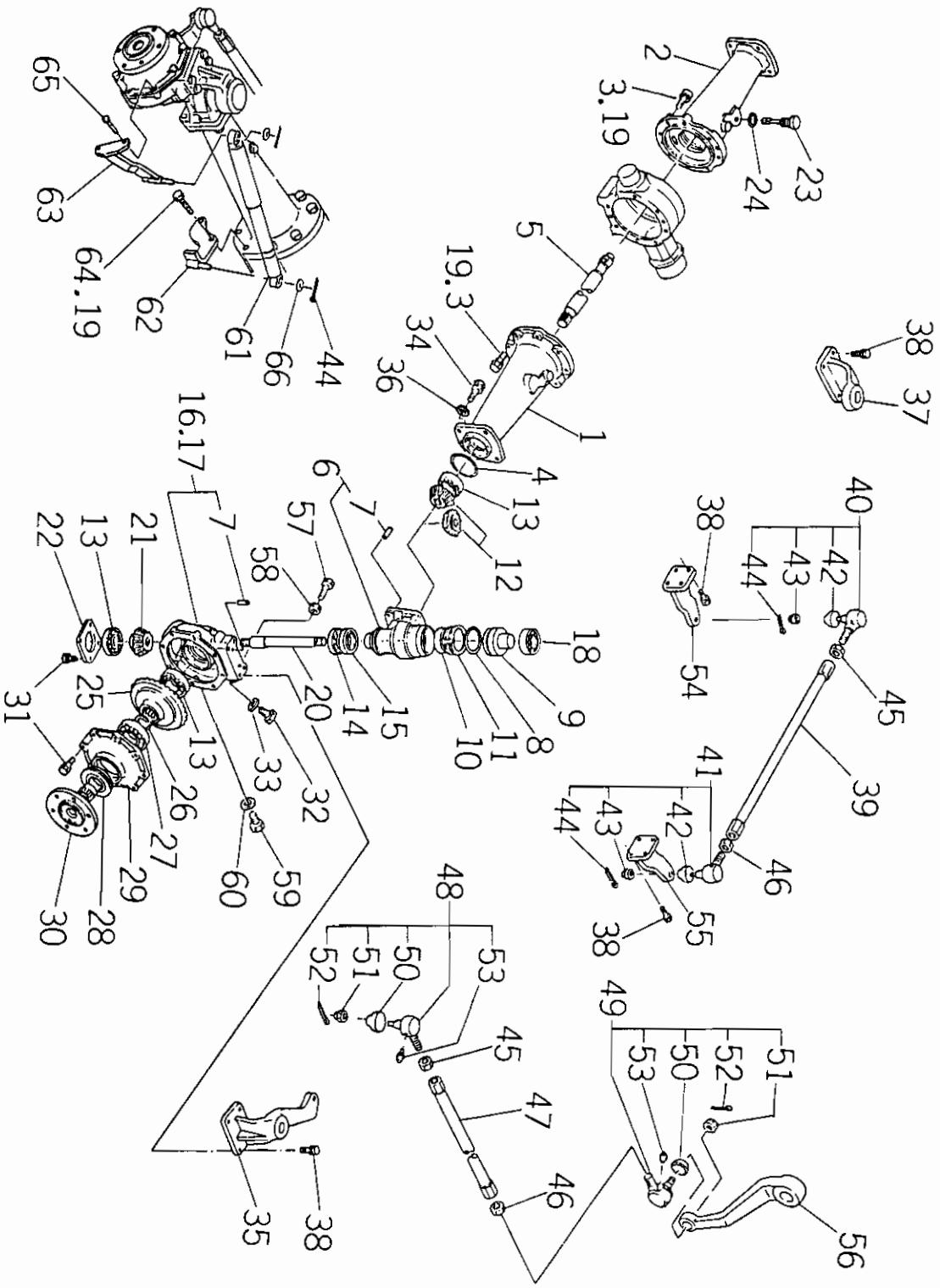
SUPPLEMENT NO.

No. 6 - FEBRUARY, 1986



30A. FRONT AXLE

SD5040T 50001~



(1-121)

BINDER NO.	
ISP3002	

SUPPLEMENT NO.	



30A. FRONT AXLE

SD5040T 50001~

管理コード

REFNO	CODE NO.	PART	NAME	Qty										MinQty	REMARKS			
				SD4300	SD4340	SD4500	SD4540	SD5000T	SD5040T	SD5001T	SD5041T	SD5002T	SD5042T					
59	01020 1212	BOLT					2											
60	02510 0012	SEAL WASHER				2												
61	34495 0310	CYLINDER				1												
62	33465 0200	HOLDER				1												
63	33465 0210	HOLDER				1												
64	01010 9199	BOLT				2												
65	01131 1040	BOLT				2												
66	02610 0012	WASHER				2												
	(a) { SD4540 SD5040T	10001~10060 50001~50473	(b) { SD4540 SD5040T	10061~ 50474~														

BINDER NO.
1SP3002

SUPPLEMENT NO. No. 6 - FEBRUARY, 1986



31. FRONT DIFFERENTIAL

SD5040T ~50000

管理コード

REFNO.	CODE NO.	PART	NAME	Qty							MinQty	REMARKS	
				S D 4300	S D 4340	S D 4500	S D 4540	S D 5000T	S D 5040T	S D			
1	33001 0450	SUPPORT ASS'Y		1						1			
2	01010 9180	BOLT		16						16			
3	32201 1400	CASING ASS'Y		1						1			
4	32201 1420	CASING ASS'Y		1						1			
5	39851 1020	BUSH		1						1			
6	05230 0450	O-RING		1						1			
7	32201 1410	CASING ASS'Y		1						1			
8	39851 0990	BUSH		1						1			
9	05060 0090	OIL SEAL		1						1			
10	05060 0070	OIL SEAL		1						1			
11	03050 1025	DOWEL PIN		8						8			
12	01011 1645	BOLT		4						4			
13	02710 0016	SPRING WASHER		4						4			
15	32205 0391	DRIVE PINION ASS'Y		1						1			
16	19926 0040	THRUST WASHER		1						1			
17	19928 0470	SHIM: 0.1		A/R						A/R			
18	19928 0480	SHIM: 0.2		A/R						A/R			
19	19928 0490	SHIM: 0.5		A/R						A/R			
20	04253 2306	BEARING		2						2			
21	02270 0300	LOCK NUT		2						2			
22	02810 0300	LOCK WASHER		1						1			
29	32611 0480	DIFF HOUSING		1						1			
30	39931 0010	LOCK WASHER		4						4			
31	01011 1020	BOLT		8						8			
32	04010 6211	BEARING		2						2			
33	32614 0041	DIFF GEAR		2						2			
34	32616 0041	DIFF PINION		2						2			
35	39926 0270	THRUST WASHER		2						2			
36	32613 0280	PINION SHAFT		1						1			
37	03030 0645	SPRING PIN		1						1			

BINDER NO.
1SP3002

SUPPLEMENT NO.



31. FRONT DIFFERENTIAL

SD5040T ~50000

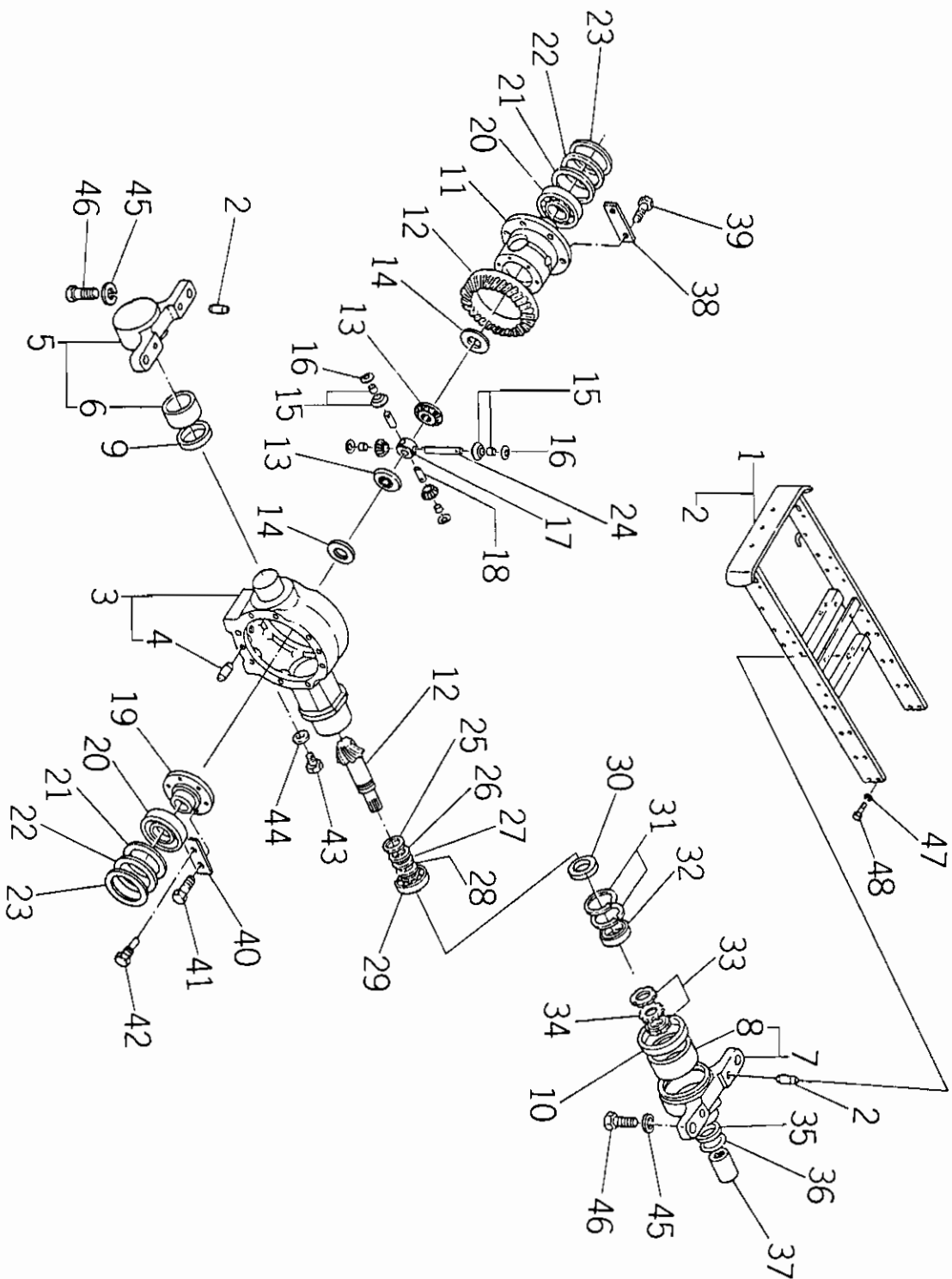
管理コード

REFNO.	CODE NO.	PART	NAME	Qty								MinQty	REMARKS			
				S D 4300	S D 4340	S D 4500	S D 4540	S D 5000T	S D 5040T	S D 5040T	S D 5040T					
40	32621 0141	DIFF SHAFT			2											
48	06470 0012	PLUG			1											
48	01020 1212	BOLT			1											
49	02510 0012	SEAL WASHER			1											
50	32261 0070	COUPLING			1											⌀ TIME OF SUPPLY 1985. 2
51	32611 0181	DIFF HOUSING			1											
52	05020 3125	OIL SEAL			1											
53	39931 0070	LOCK WASHER			3											
54	01011 0820	BOLT			6											
55	03650 0072	SNAP RING			2											
56	03650 0022	SNAP RING			1											
57	02710 0014	SPRING WASHER			16											
58	39926 0100	THRUST WASHER			2											
59	19928 0870	SHIM: 0.1			A/R											
59	19928 0880	SHIM: 0.2			A/R											
59	19928 0890	SHIM: 0.5			A/R											
BINDER NO.													SUPPLEMENT NO.			
I S P 3 0 0 2																



31A. FRONT DIFFERENTIAL

SD5040T 50001~



(1-127)

BINDER NO.
ISP3002

SUPPLEMENT NO.



31A. FRONT DIFFERENTIAL

SD5040T 50001~

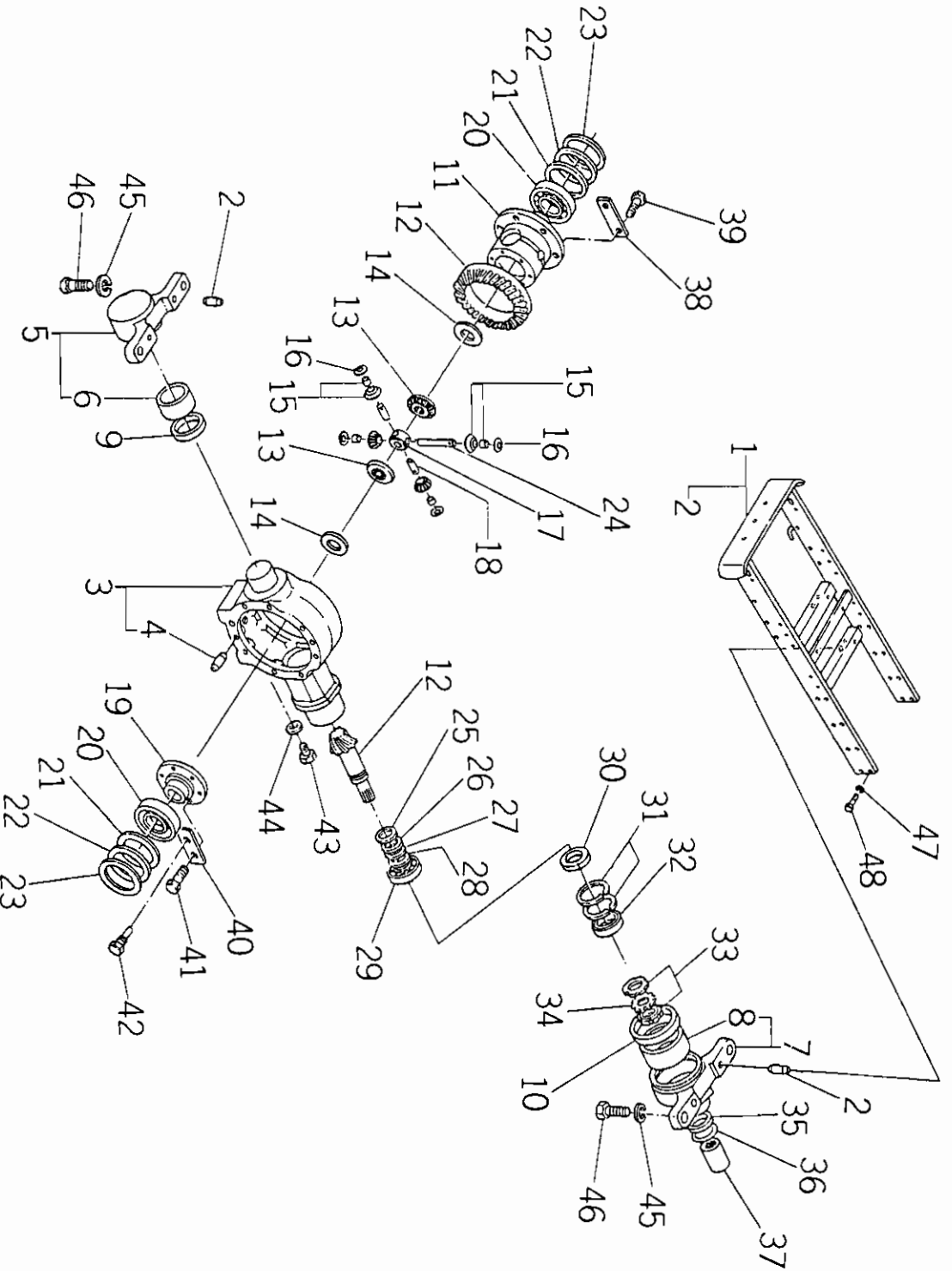
管理コード

REFNO.	CODE NO.	PART	NAME	Qty							Min.Qty	REMARKS	
				S D 4300	S D 4340	S D 4500	S D 4540	S D 5000T	S D 5040T	S D			
1	33001 1100	SUPPORT ASS'Y				1			1				
2	03050 1025	DOWEL PIN				4			4				
3	32201 2370	CASING ASS'Y				1			1				
4	03050 1032	DOWEL PIN				4			4				
5	32201 1410	CASING ASS'Y				1			1				
6	39851 0990	BUSH				1			1				
7	32201 2360	CASING ASS'Y				1			1				
8	39851 1020	BUSH				1			1				
9	05060 0070	OIL SEAL				1			1				
10	05060 0090	OIL SEAL				1			1				
11	32611 0571	DIFF HOUSING				1			1				
12	32205 0460	DRIVE PINION ASS'Y				1			1				
13	32614 0260	DIFF GEAR				2			2				
14	39926 0100	THRUST WASHER				2			2				
15	32203 0150	GEAR ASS'Y				4			4				
16	39926 0270	THRUST WASHER				4			4				
17	32617 0070	JOINT				1			1				
18	32613 0350	PINION SHAFT				2			2				
19	32611 0560	DIFF HOUSING				1			1				
20	04010 6211	BEARING				2			2				
21	19928 0870	SHIM: 0.1				A/R			A/R				
22	19928 0880	SHIM: 0.2				A/R			A/R				
23	19928 0890	SHIM: 0.3				A/R			A/R				
24	32613 0360	PINION SHAFT				1			1				
25	19926 0050	THRUST WASHER				1			1				
26	19928 0530	SHIM: 0.1				A/R			A/R				
27	19928 0540	SHIM: 0.2				A/R			A/R				
28	19928 0550	SHIM: 0.5				A/R			A/R				
29	04253 2207	BEARING				1			1				



31A. FRONT DIFFERENTIAL

SD50/40T 50001~



(1-129)

BINDER NO.	
ISP3002	

SUPPLEMENT NO.	



31A. FRONT DIFFERENTIAL

管理コード

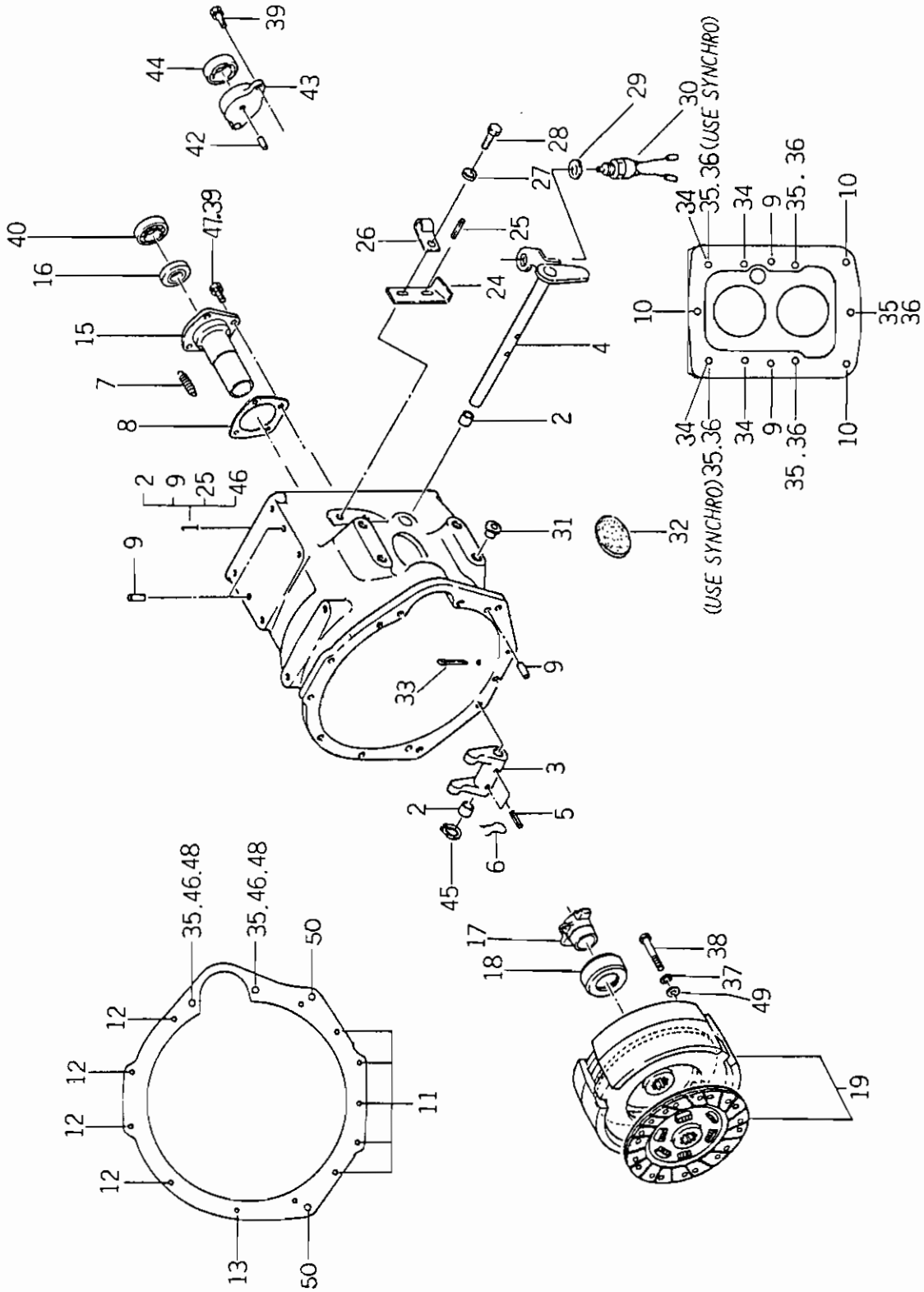
SD5040T 50001 ~

REF.NO	CODE NO.	PART	NAME	Qty												REMARKS		
				S	D	S	D	S	D	S	D	S	D	S	D			
30	39923 2820	COLLAR																
31	03650 0072	SNAP RING																
32	04253 0207	BEARING																
33	02270 0350	LOCK NUT																
34	02810 0350	LOCK WASHER																
35	05020 2230	OIL SEAL																
36	05230 0450	O-RING																
37	32261 0250	COUPLING																
38	39931 0300	LOCK WASHER																
39	01021 1022	BOLT																
40	39931 0340	LOCK WASHER																
41	01011 0820	BOLT																
42	01010 9255	BOLT																
43	01020 1212	BOLT																
44	02510 0012	SEAL WASHER																
45	02710 0016	SPRING WASHER																
46	01011 1645	BOLT																
47	02710 0014	SPRING WASHER																
48	01010 9180	BOLT																

BINDER NO.	SUPPLEMENT NO.
ISP3002	



32. CLUTCHCASE, CLUTCH



BINDER NO.
ISP3002

SUPPLEMENT NO.



32. CLUTCHCASE, CLUTCH

管理コード

REF.NO.	CODE NO.	PART	NAME	Qty												Min.Qty	REMARKS
				S	D	S	D	S	D	S	D	S	D	S	D		
1	32001 0310	CASING ASS'Y		1	1	1	1	1	1	1	1	1	1	1	1	1	
2	39851 0010	BUSH		2	2	2	2	2	2	2	2	2	2	2	2	2	
3	32026 0030	CLUTCH FORK		1	1	1	1	1	1	1	1	1	1	1	1	1	
4	32020 0210	CLUTCH SHAFT		1	1	1	1	1	1	1	1	1	1	1	1	1	
5	03030 0632	SPRING PIN		2	2	2	2	2	2	2	2	2	2	2	2	2	
6	※ ※ ※ ※	WIRE		2	2	2	2	2	2	2	2	2	2	2	2	2	
7	39821 0070	SPRING		1	1	1	1	1	1	1	1	1	1	1	1	1	
8	32099 0051	GASKET		1	1	1	1	1	1	1	1	1	1	1	1	1	
8	32099 0052	GASKET		1	1	1	1	1	1	1	1	1	1	1	1	1	(c)
9	03050 1025	DOWEL PIN		4	4	4	4	4	4	4	4	4	4	4	4	4	(d) φ
10	01131 1240	BOLT		3	3	3	3	3	3	3	3	3	3	3	3	3	
11	01131 1016	BOLT		5	5	5	5	5	5	5	5	5	5	5	5	5	
12	01131 1040	BOLT		4	4	4	4	4	4	4	4	4	4	4	4	4	
13	01131 1050	BOLT		1	1	1	1	1	1	1	1	1	1	1	1	1	
15	32018 0061	RETAINER		1	1	1	1	1	1	1	1	1	1	1	1	1	(a)
15	32018 0350	RETAINER															(b)
16	05020 2340	OIL SEAL		1	1	1	1	1	1	1	1	1	1	1	1	1	
17	32031 0080	RELEASE HUB		1	1	1	1	1	1	1	1	1	1	1	1	1	
18	39856 0340	BEARING		1	1	1	1	1	1	1	1	1	1	1	1	1	
19	32004 0210	CLUTCH ASS'Y		1	1	1	1	1	1	1	1	1	1	1	1	1	(a)
19	32004 0370	CLUTCH ASS'Y															(b)
24	39856 2940	PLATE		1	1	1	1	1	1	1	1	1	1	1	1	1	
25	03030 0820	SPRING PIN		1	1	1	1	1	1	1	1	1	1	1	1	1	
26	19811 6160	CLAMP		1	1	1	1	1	1	1	1	1	1	1	1	1	
27	02610 0010	WASHER		1	1	1	1	1	1	1	1	1	1	1	1	1	
28	01130 1020	BOLT		1	1	1	1	1	1	1	1	1	1	1	1	1	
29	02710 9006	SPRING WASHER		1	1	1	1	1	1	1	1	1	1	1	1	1	
30	38520 0160	SWITCH		1	1	1	1	1	1	1	1	1	1	1	1	1	
31	39846 0010	BLANK PLUG		8	8	8	8	8	8	8	8	8	8	8	8	8	
32	39811 0010	RUBBER CAP		1	1	1	1	1	1	1	1	1	1	1	1	1	

BINDER NO.

ISP3002

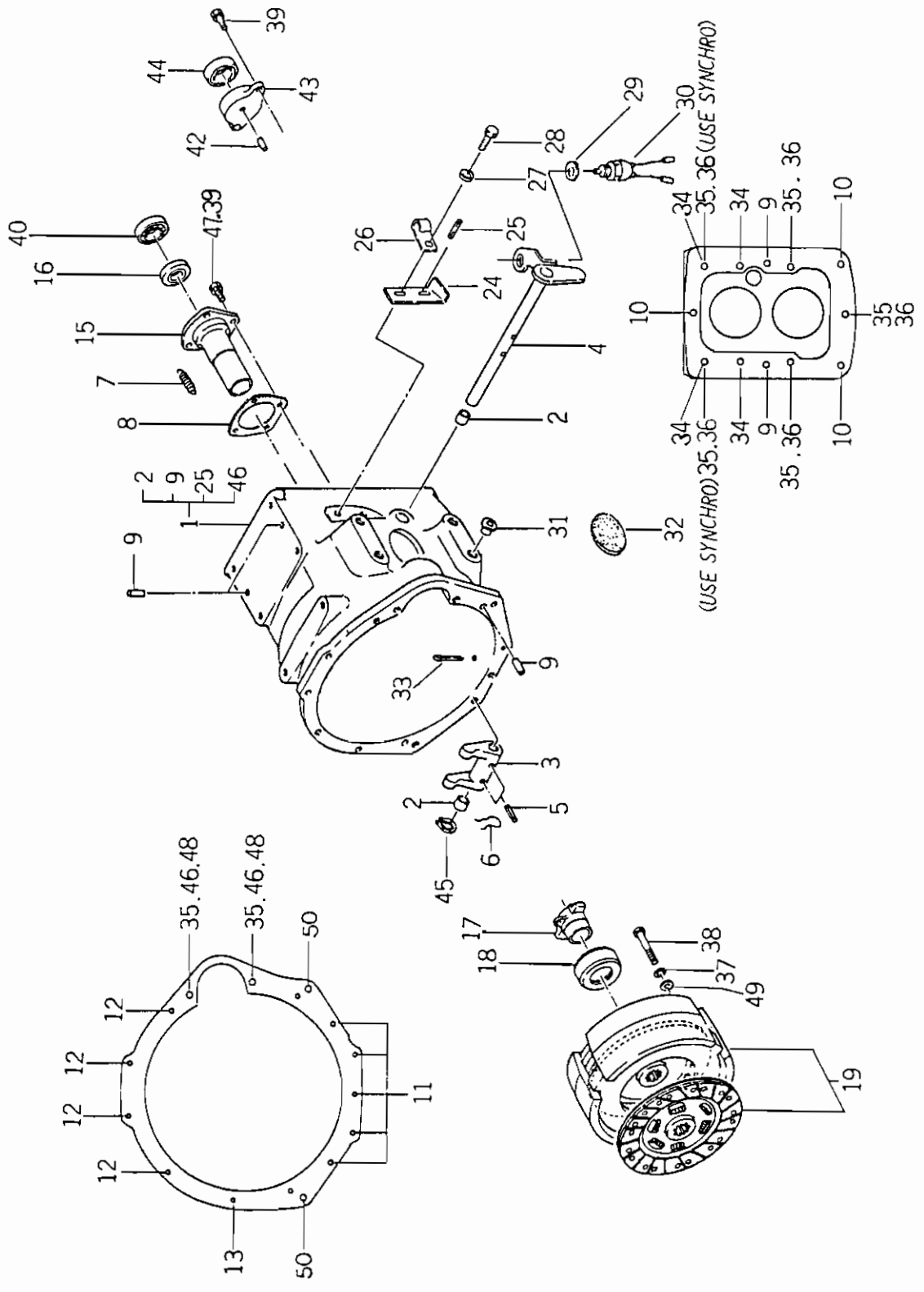
(1 - 132)

SUPPLEMENT NO.

No 5 - AUGUST, 1985



32. CLUTCHCASE, CLUTCH



BINDER NO.
ISP3002

SUPPLEMENT NO.



32. CLUTCHCASE, CLUTCH

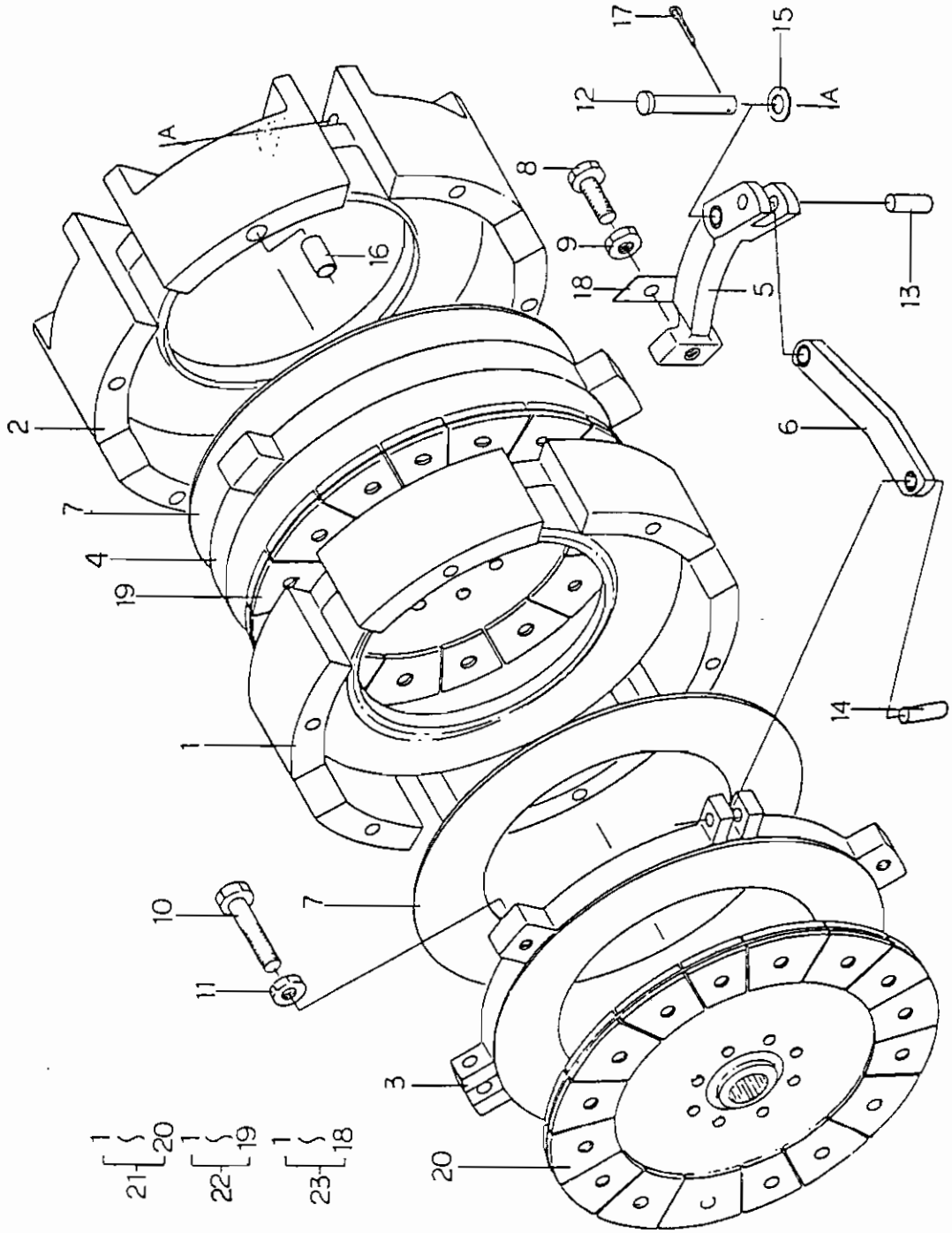
管理コード

REF.NO.	CODE NO.	PART	NAME	Qty												Min.Qty	REMARKS
				S	D	S	D	S	D	S	D	S	D	S	D		
33	03010 3025	SPLIT PIN		1	1	1	1	1	1	1	1	1	1	1	1	1	
34	01131 1250	BOLT		4	4	4	4	4	4	4	4	4	4	4	4	4	
34	01131 1250	BOLT		5	5	7	7	7	7	7	7	7	7	7	7	7	
35	02710 0012	SPRING WASHER		5	5	5	5	5	5	5	5	5	5	5	5	5	
36	02020 0012	NUT		6	6	6	6	6	6	6	6	6	6	6	6	6	
37	02710 0008	SPRING WASHER		6	6	6	6	6	6	6	6	6	6	6	6	6	
38	01011 0875	BOLT		6	6	6	6	6	6	6	6	6	6	6	6	6	
39	01131 1030	BOLT		6	6	2	2	2	2	2	2	2	2	2	2	2	(a)
39	01131 1030	BOLT		1	1	1	1	1	1	1	1	1	1	1	1	1	(b)
40	04010 6008	BEARING		1	1	1	1	1	1	1	1	1	1	1	1	1	
42	03050 1020	DOWEL PIN		1	1	1	1	1	1	1	1	1	1	1	1	1	
43	32226 0111	BEARING HOLDER		1	1	1	1	1	1	1	1	1	1	1	1	1	
44	04010 6007	BEARING		1	1	1	1	1	1	1	1	1	1	1	1	1	
45	03610 0018	SNAP RING		1	1	1	1	1	1	1	1	1	1	1	1	1	
46	01211 1235	STUD BOLT		2	2	2	2	2	2	2	2	2	2	2	2	2	
47	01131 1025	BOLT		4	4	4	4	4	4	4	4	4	4	4	4	4	(b)
48	02060 0012	NUT		2	2	2	2	2	2	2	2	2	2	2	2	2	
49	02610 0008	WASHER		6	6	6	6	6	6	6	6	6	6	6	6	6	
50	01131 1245	BOLT		2	2	2	2	2	2	2	2	2	2	2	2	2	
	(a) { SD5000T ~50000 SD5040T ~50000	(b) { SD5000T 50001 ~ SD5040T 50001 ~	(c) { SD4500 ~10037 SD4540 ~10037 SD5000T ~50166 SD5040T ~50189	(d) { SD4500 10038 ~ SD4540 10038 ~ SD5000T 50166 ~ SD5040T 50190 ~													

BINDER NO.
ISP3002



33. CLUTCH; DUAL



- 21- { 20
- 22- { 19
- 23- { 18

BINDER NO.
ISP3002

SUPPLEMENT NO.



33. CLUTCH; DUAL

管理コード

REF.NO.	CODE NO.	PART	NAME	Qty										Min.Qty	REMARKS	
				S	D	S	D	S	D	S	D	S	D			
1	32046 0360	COVER; CLUTCH		1	1	1	1	1	1	1	1	1	1	1		
2	32046 0370	COVER; CLUTCH		1	1	1	1	1	1	1	1	1	1	1		
3	32046 0380	PRESSURE PLATE		1	1	1	1	1	1	1	1	1	1	1		
4	32046 0390	PRESSURE PLATE		1	1	1	1	1	1	1	1	1	1	1		
5	32046 0400	RELEASE LEVER		3	3	3	3	3	3	3	3	3	3	3		
6	32046 0410	RELEASE ROD		3	3	3	3	3	3	3	3	3	3	3		
7	32046 0420	SPRING		2	2	2	2	2	2	2	2	2	2	2		
8	32046 0430	BOLT		3	3	3	3	3	3	3	3	3	3	3		
9	32046 0640	NUT		3	3	3	3	3	3	3	3	3	3	3		
10	32046 0650	BOLT		3	3	3	3	3	3	3	3	3	3	3		
11	02021 0010	NUT		3	3	3	3	3	3	3	3	3	3	3		
12	32046 0470	PIN		3	3	3	3	3	3	3	3	3	3	3		
13	32046 0440	PIN		3	3	3	3	3	3	3	3	3	3	3		
14	32046 0490	PIN		3	3	3	3	3	3	3	3	3	3	3		
15	02610 0014	WASHER		3	3	3	3	3	3	3	3	3	3	3		
16	32046 0450	DOWEL PIN		2	2	2	2	2	2	2	2	2	2	2		
17	03010 2015	SPLIT PIN		3	3	3	3	3	3	3	3	3	3	3		
18	32046 0460	LOCK WASHER		3	3	3	3	3	3	3	3	3	3	3		
19	32040 0160	CLUTCH DISC		1	1	1	1	1	1	1	1	1	1	1	(a)	
20	32040 0150	CLUTCH DISC		1	1	1	1	1	1	1	1	1	1	1	(a)	
20	32040 0230	CLUTCH DISC													(b)	
21	22004 0210	CLUTCH ASS'Y		1	1	1	1	1	1	1	1	1	1	1	(a)	
21	32004 0370	CLUTCH ASS'Y													(b)	
22	32004 0270	CLUTCH ASS'Y		1	1	1	1	1	1	1	1	1	1	1	(a)	
23	32045 0140	PRESSURE PLATE ASS'Y		1	1	1	1	1	1	1	1	1	1	1	(b)	

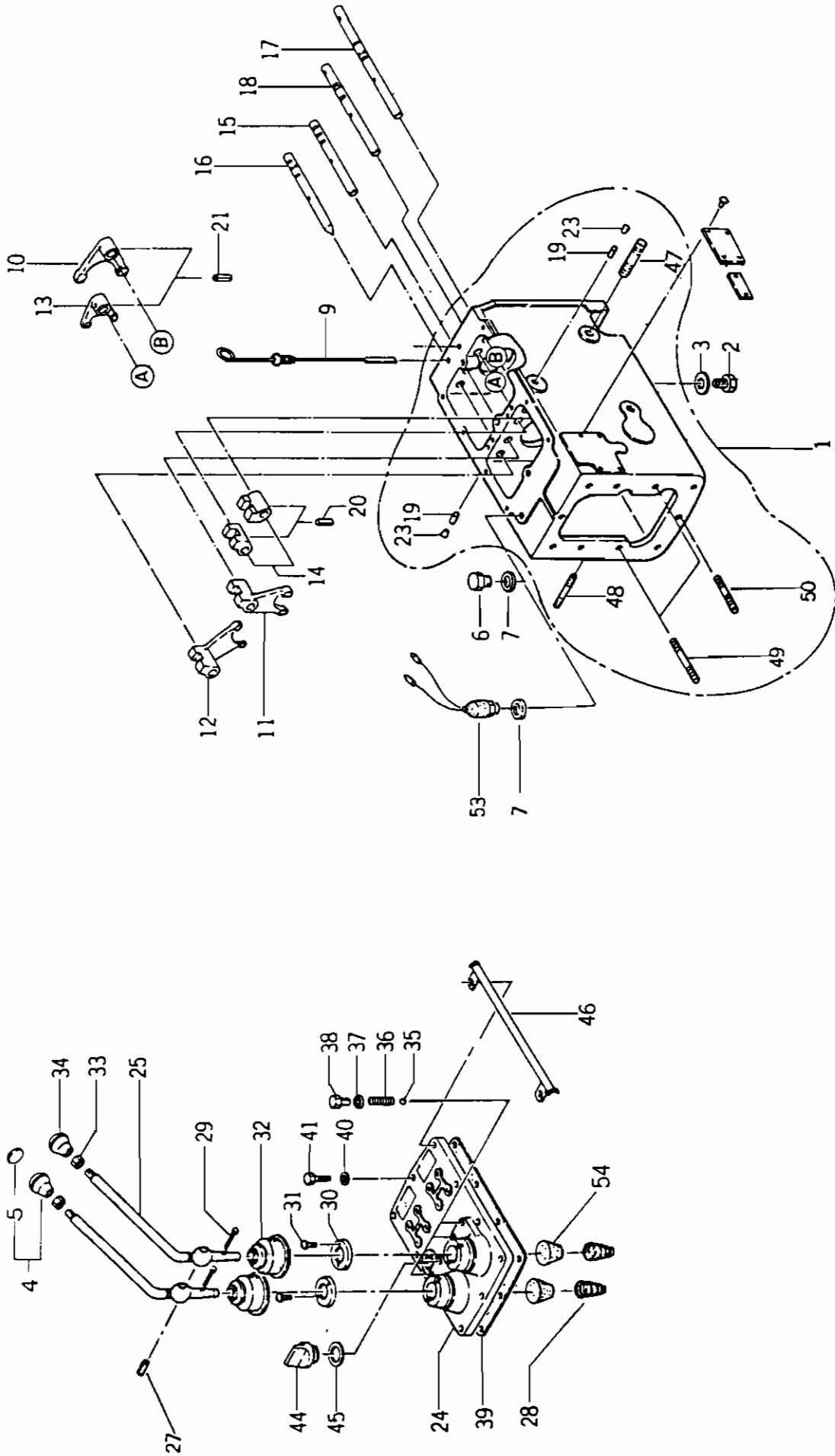
(a) { SD5000T ~50000 (b) { SD5000T 50001~ SD5040T ~50000 SD5040T 50001~

BINDER NO.	SUPPLEMENT NO.
1SP3002	



34. MISSION CASE, CHANGE LEVERS

SD5000T ~50000
SD5040T ~50000



	SUPPLEMENT NO.
--	----------------

BINDER NO.
1 SP3002



34. MISSION CASE, CHANGE LEVERS

SD5000T ~50000
SD5040T ~50000

管理コード

REF.NO.	CODE NO.	PART	NAME	Qty										REMARKS		
				S	D	S	D	S	D	S	D	S	D			
1	32201 1430	CASING ASS'Y		4300	4340	4500	4540	5000T	5040T							
2	06460 0016	PLUG		1	1			1	1							
3	02510 0016	SEAL WASHER		1	1			1	1							
4	39818 0430	GLIP		1	1			1	1							AUS (O)
5	39010 0110	NAME PLATE		1	1			1	1							
7	02510 0014	SEAL WASHER		1	1			1	1							
9	19841 6070	LEVEL GAUGE		1	1			1	1							
10	32441 0301	SHIFTER FORK		1	1			1	1							
10	32441 0302	SHIFTER FORK		1	1			1	1							
11	32441 0311	SHIFTER FORK		1	1			1	1							
12	32441 0321	SHIFTER FORK		1	1			1	1							
13	32441 0331	SHIFTER FORK		1	1			1	1							
14	32432 0130	SHIFTER BOSS		2	2			2	2							
15	32431 0350	SHIFTER ROD		1	1			1	1							
16	32431 0360	SHIFTER ROD		1	1			1	1							
17	32431 0371	SHIFTER ROD		1	1			1	1							
18	32431 0381	SHIFTER ROD		1	1			1	1							
19	32456 0040	BALK PIN		2	2			2	2							
20	03030 0640	SPRING PIN		4	4			4	4							
21	03030 0625	SPRING PIN		2	2			2	2							
23	39846 0030	BLANK PLUG		2	2			2	2							
24	32471 0290	CHANGE LEVER CASE		1	1			1	1							
25	32410 0660	CHANGE LEVER		2	2			2	2							
27	03030 0545	SPRING PIN		2	2			2	2							
28	39821 0580	SPRING		2	2			2	2							
29	03010 3025	SPLIT PIN		2	2			2	2							
30	32461 0120	COVER		2	2			2	2							
31	01514 0612	SCREW		4	4			4	4							
32	39811 0610	RUBBER		2	2			2	2							
33	02010 0010	NUT		2	2			2	2							

(c)1 → 2 RANGE
(d)1 → 2 RANGE
1 → 3 MAIN

2 → R MAIN
3 → 4 RANGE

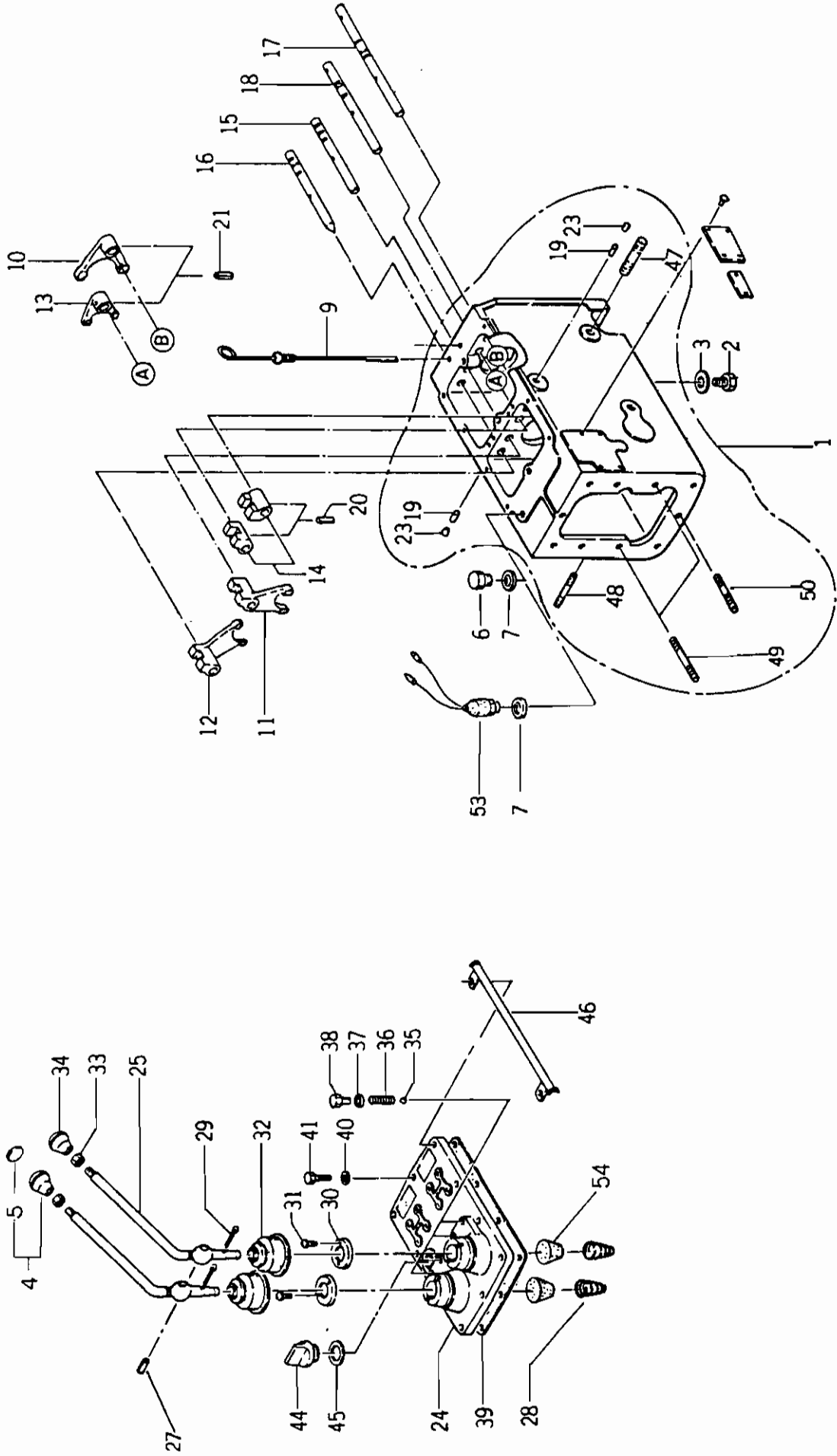
1 → 3 MAIN
2 → R MAIN

1 → 2 RANGE
3 → 4 RANGE



34. MISSION CASE, CHANGE LEVERS

SD5000T ~50000
SD5040T ~50000



SUPPLEMENT NO.	

BINDER NO.
1 SP 3 0 0 2



34A. MISSION CASE, CHANGE LEVERS

SD5000T 50001~
SD5040T 50001~

管理コード

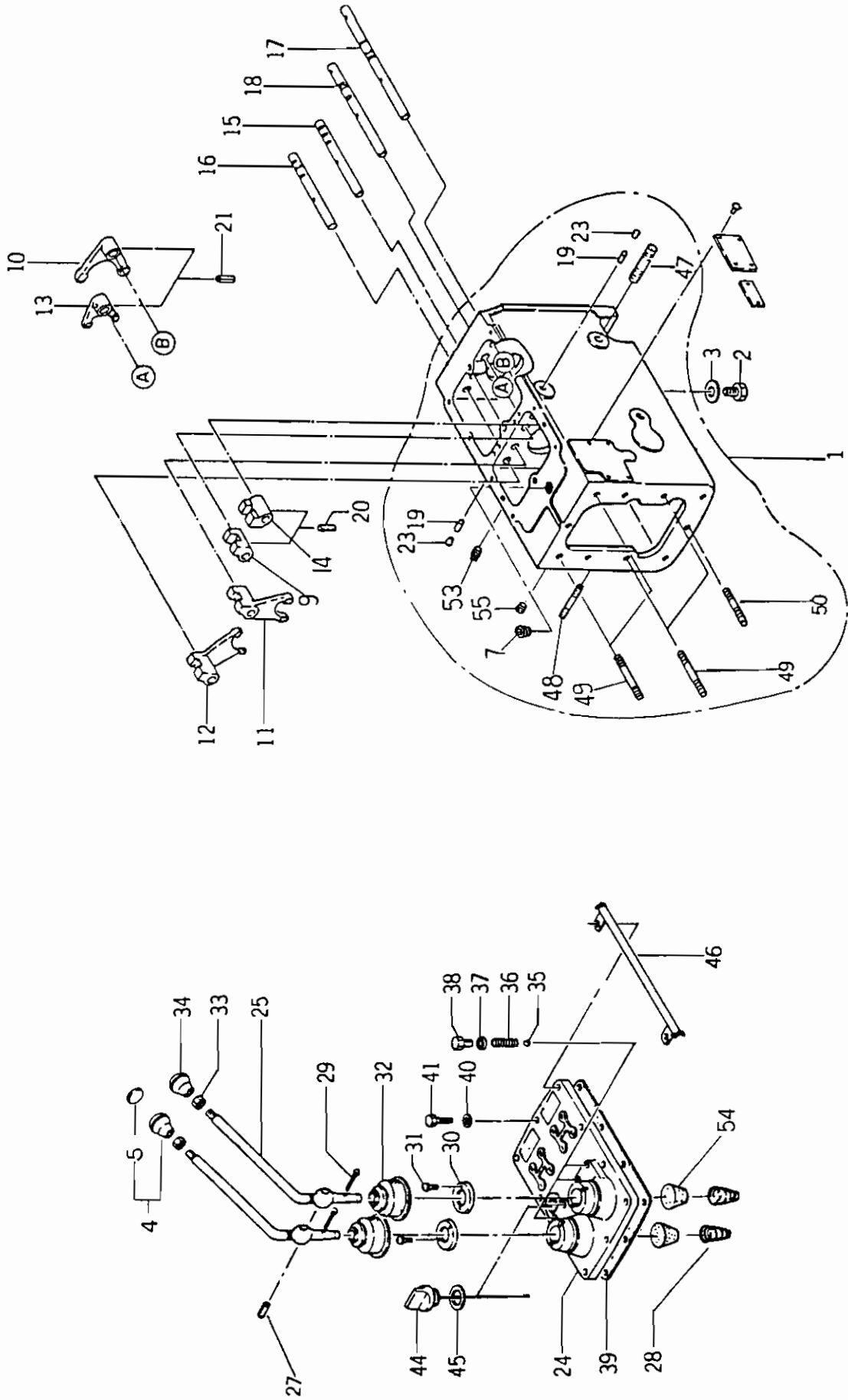
REF.NO.	CODE NO.	PART	NAME	Q'ty												REMARKS	
				S	D	S	D	S	D	S	D	S	D	S	D		
1	32201 2410	CASING ASS'Y															
2	06460 0016	PLUG															(b)
3	02510 0016	SEAL WASHER															
4	39818 0430	GLIP															
5	39010 0110	NAME PLATE															
7	06450 0030	PLUG															
10	32441 0302	SHIFTER FORK															1-2 RANGE
11	32441 0311	SHIFTER FORK															1-3 MAIN
12	32441 0321	SHIFTER FORK															2-RMAIN
13	32441 0331	SHIFTER FORK															3-4 RANGE
14	32432 0130	SHIFTER BOSS															
15	32431 0350	SHIFTER ROD															1-3 MAIN
16	32431 0360	SHIFTER ROD															2-RMAIN
17	32431 0371	SHIFTER ROD															1-2 RANGE
18	32431 0381	SHIFTER ROD															3-4 RANGE
19	32456 0040	BALK PIN															
20	03030 0640	SPRING PIN															
21	03030 0625	SPRING PIN															
23	39846 0030	BLANK PLUG															
24	32471 0290	CHANGE LEVER CASE															
25	32410 0660	CHANGE LEVER															
27	03030 0545	SPRING PIN															
28	39821 0580	SPRING															
29	03010 3025	SPLIT PIN															
30	32461 0120	COVER															
31	01514 0612	SCREW															
32	39811 0610	RUBBER															
33	02010 0010	NUT															
34	39818 0210	GLIP															
35	04810 0011	STEEL BALL															

BINDER NO.
ISP3002



SD5000T 50001~
SD5040T 50001~

34A. MISSION CASE, CHANGE LEVERS



BINDER NO.
ISP3002

SUPPLEMENT NO. No 5 - AUGUST, 1985



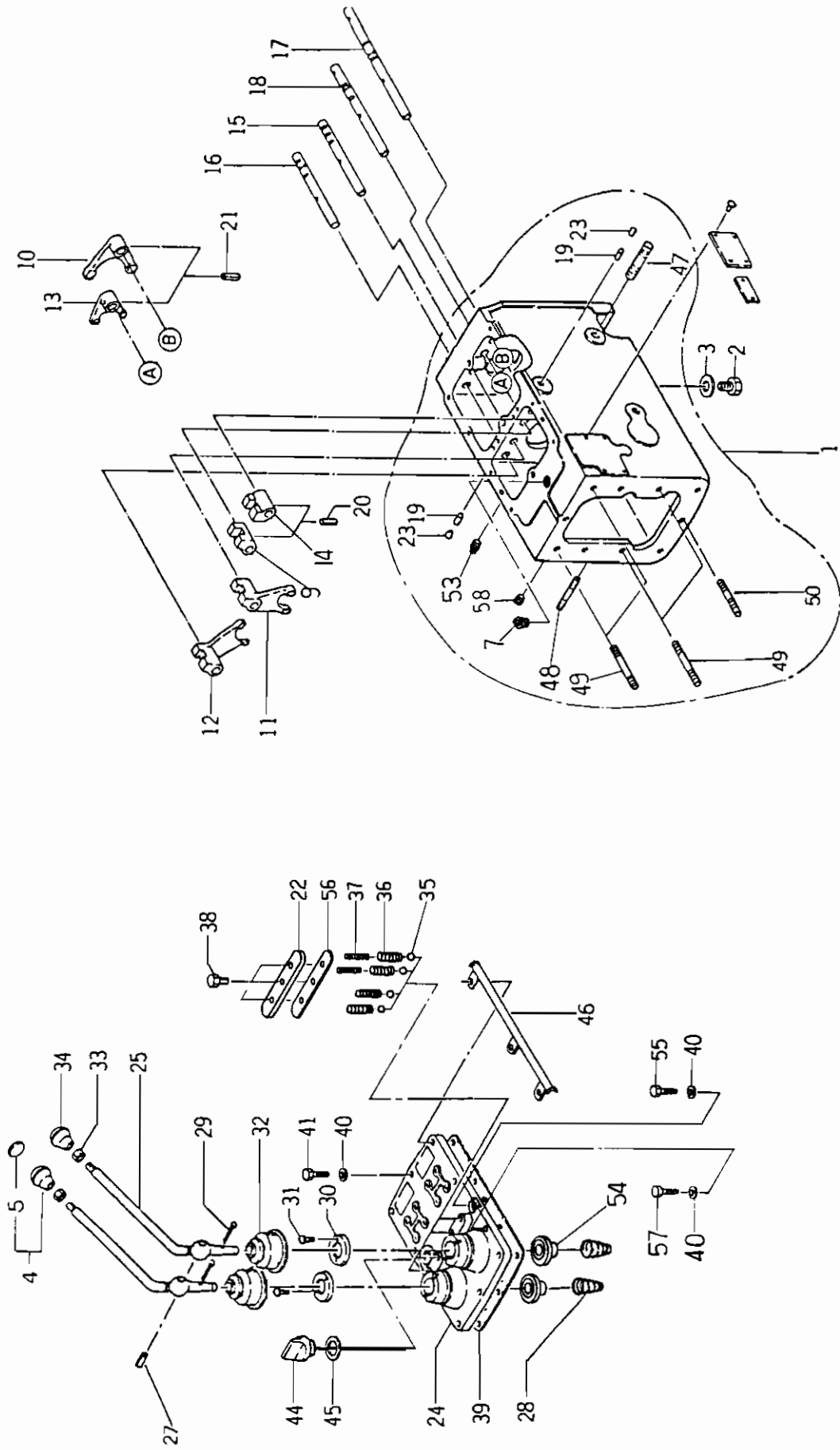
34A. MISSION CASE, CHANGE LEVERS

REF.NO.	CODE NO.	PART	NAME	Q'ty										REMARKS			
				SD 4300	SD 4340	SD 4500	SD 4540	SD 5000T	SD 5040T	S	D	S	D				
36	39821 0460	SPRING			4	4	4	4	4	4	4						
37	02510 0010	SEAL WASHER			4	4	4	4	4	4	4						
38	01010 1016	BOLT			4	4	4	4	4	4	4						
39	32499 0060	GASKET			1	1	1	1	1	1	1						(c) ϕ
39	32499 0061	GASKET			1	1	1	1	1	1	1						(d)
40	02610 0010	WASHER															
41	01010 1035	BOLT			10	10	10	10	10	10	10						
44	39840 0281	LEVEL GAUGE			1	1	1	1	1	1	1						
45	05410 9013	GASKET			1	1	1	1	1	1	1						
46	39910 0610	CLAMP			1	1	1	1	1	1	1						
47	01210 1680	STUD BOLT			1	1	1	1	1	1	1						
48	01211 1050	STUD BOLT			1	1	1	1	1	1	1						
49	01211 1250	STUD BOLT			2	2	2	2	2	2	2						
50	01211 1235	STUD BOLT			1	1	1	1	1	1	1						
53	06450 0020	PLUG			1	1	1	1	1	1	1						
54	39811 3380	RUBBER			2	2	2	2	2	2	2						(b)
55	06450 9001	PLUG			1	1	1	1	1	1	1						
			(b)	{ SD4500 10014~ SD4540 10014~ SD5000T 50022~ SD5040T 50149~	(c)	{ SD4500 ~10037 SD4540 ~10037 SD5000T ~50165 SD5040T ~50189	(d)	{ SD4500 10038~ SD4540 10038~ SD5000T 50166~ SD5040T 50190~									



SD5000T 50001~
SD5000T 50001~

35. SYNCHRONIZED MISSION CASE, CHANGE LEVERS





35. SYNCHRONIZED MISSION CASE, CHANGE LEVERS

SD5000T 50001~
SD5040T 50001~

管理コード

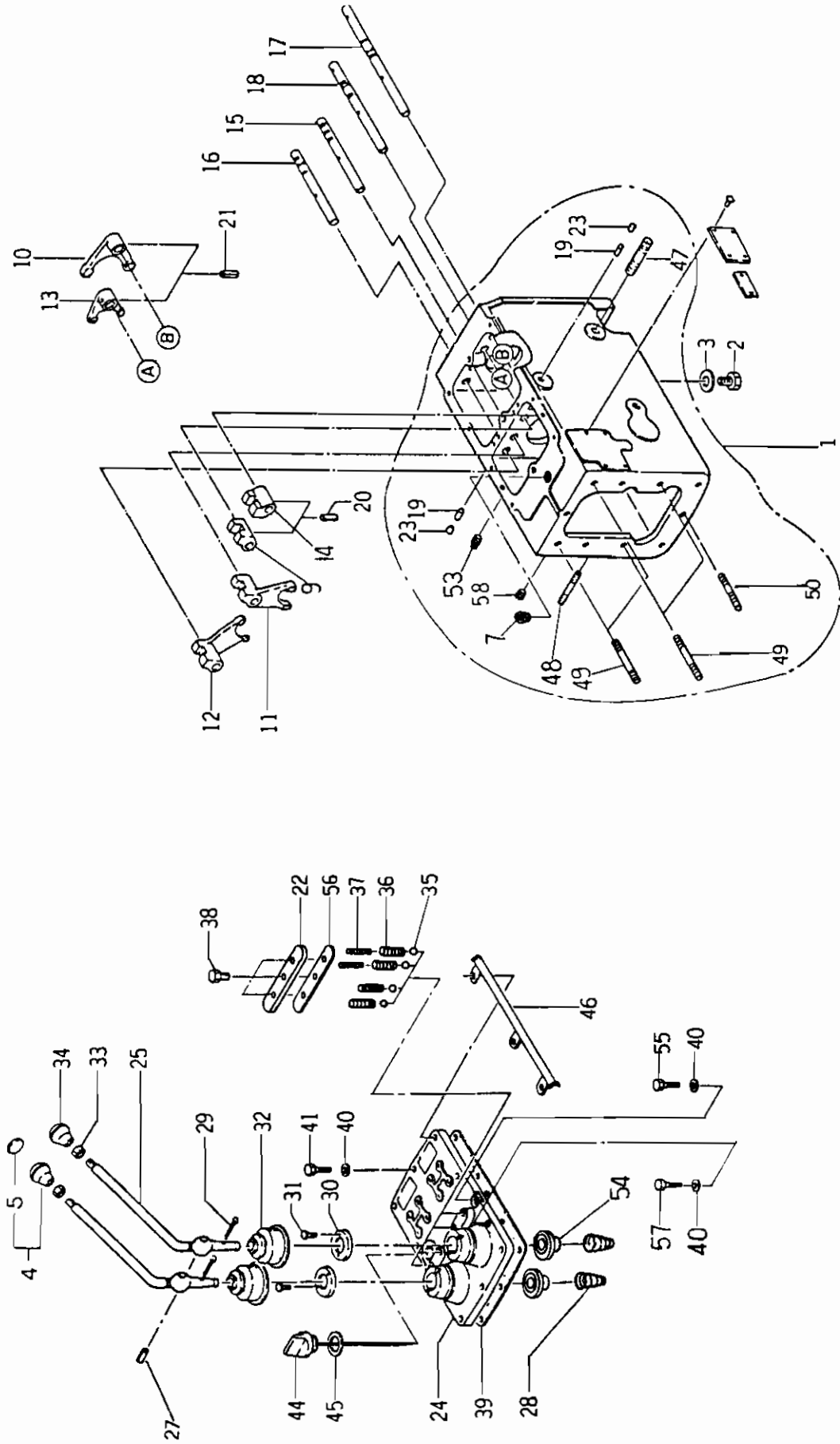
REFNO.	CODE NO.	PART	NAME	Qty												REMARKS		
				S	D	S	D	4300	4340	4500	4540	5000T	5040T	S	D		S	D
1	32201 2420	CASING ASS'Y																
2	06460 0016	PLUG		1														(b)
3	02510 0016	SEAL WASHER		1														
4	39818 0430	GLIP		1														
5	39010 0110	NAME PLATE		1														
7	06450 0030	PLUG		1														
9	32432 0460	SHIFTER BOSS		1														
10	32441 0302	SHIFTER FORK		1														1-2 RANGE
11	32441 1290	SHIFTER FORK		1														(e)1-3 MAIN
11	32441 1291	SHIFTER FORK		1														(f)1-3 MAIN
12	32441 1300	SHIFTER FORK		1														2-RMHIN
13	32441 0331	SHIFTER FORK		1														3-4 RANGE
14	32432 0130	SHIFTER BOSS		1														(e)1-3 MAIN
15	32431 1850	SHIFTER ROD		1														(f)1-3 MAIN
15	32431 1851	SHIFTER ROD		1														2-RMAIN
16	32431 1840	SHIFTER ROD		1														1-2 RANGE
17	32431 1830	SHIFTER ROD		1														3-4 RANGE
18	32431 1820	SHIFTER ROD		1														
19	32456 0040	BALK PIN		2														
20	03030 0640	SPRING PIN		4														
21	03030 0625	SPRING PIN		2														
22	32221 0610	COVER		1														
23	01816 0030	BLANK PLUG		2														
24	32471 0520	CHANGE LEVER CASE		1														
25	32410 0660	CHANGE LEVER		2														
27	03030 0545	SPRING PIN		2														
28	39821 0580	SPRING		2														
29	03010 3025	SPLIT PIN		2														
30	32461 0120	COVER		2														
31	01514 0612	SCREW		4														

BINDER NO
ISP3002



35. SYNCHRONIZED
MISSION CASE, CHANGE LEVERS

SD5000T 50001~
SD5040T 50001~



BINDER NO.
ISP3002

SUPPLEMENT NO. No. 5 - AUGUST, 1985



35. SYNCHRONIZED MISSION CASE, CHANGE LEVERS

管理コード

SD5000T 50001~
SD5040T 50001~

REF.NO.	CODE NO.	PART	NAME	Qty												REMARKS			
				S	D	S	D	S	D	S	D	S	D	S	D		Min.Qty		
32	39811 0610	RUBBER																	
33	02010 0010	NUT		2	2	2	2	2	2	2	2	2	2	2	2	2	2		
34	39818 0210	GLIP		1	1	1	1	1	1	1	1	1	1	1	1	1	1		
35	04810 0011	STEEL BALL		4	4	4	4	4	4	4	4	4	4	4	4	4			
36	39821 0460	SPRING		4	4	4	4	4	4	4	4	4	4	4	4	4			
37	39821 0880	SPRING		2	2	2	2	2	2	2	2	2	2	2	2	2			
38	01130 0816	BOLT		3	3	3	3	3	3	3	3	3	3	3	3	3			
39	32499 0190	GASKET		1	1	1	1	1	1	1	1	1	1	1	1	1			
39	32499 0191	GASKET		1	1	1	1	1	1	1	1	1	1	1	1	1		(c)	
40	02710 0010	SPRING WASHER		12	12	12	12	12	12	12	12	12	12	12	12	12		(d) Φ	
41	01010 1035	BOLT		8	8	8	8	8	8	8	8	8	8	8	8	8			
44	39840 0281	LEVEL GAUGE		1	1	1	1	1	1	1	1	1	1	1	1	1			
45	05410 9013	GASKET		1	1	1	1	1	1	1	1	1	1	1	1	1			
46	39910 0610	CLAMP		1	1	1	1	1	1	1	1	1	1	1	1	1			
47	01210 1680	STUD BOLT		1	1	1	1	1	1	1	1	1	1	1	1	1			
48	01211 1050	STUD BOLT		1	1	1	1	1	1	1	1	1	1	1	1	1			
49	01211 1250	STUD BOLT		4	4	4	4	4	4	4	4	4	4	4	4	4			
50	01211 1235	STUD BOLT		1	1	1	1	1	1	1	1	1	1	1	1	1			
53	06450 0020	PLUG		1	1	1	1	1	1	1	1	1	1	1	1	1			
54	39811 3380	RUBBER		2	2	2	2	2	2	2	2	2	2	2	2	2		(b)	
55	01010 1025	BOLT		2	2	2	2	2	2	2	2	2	2	2	2	2			
56	32299 0760	GASKET		1	1	1	1	1	1	1	1	1	1	1	1	1			
57	01030 1035	BOLT		2	2	2	2	2	2	2	2	2	2	2	2	2			
58	06450 9001	PLUG		1	1	1	1	1	1	1	1	1	1	1	1	1			
				SD4500	SD4500	SD4500	SD4500	SD4500	SD4500	SD4500	SD4500	SD4500	SD4500	SD4500	SD4500	SD4500	SD4500	SD4500	SD4500
				4340	4500	4540	5000T	5040T	4340	4500	4540	5000T	5040T	4340	4500	4540	5000T	5040T	4340
				10001~	10001~	10001~	10001~	10001~	10001~	10001~	10001~	10001~	10001~	10001~	10001~	10001~	10001~	10001~	10001~
				10038~	10038~	10038~	10038~	10038~	10038~	10038~	10038~	10038~	10038~	10038~	10038~	10038~	10038~	10038~	10038~
				10043~	10043~	10043~	10043~	10043~	10043~	10043~	10043~	10043~	10043~	10043~	10043~	10043~	10043~	10043~	10043~
				50166~	50166~	50166~	50166~	50166~	50166~	50166~	50166~	50166~	50166~	50166~	50166~	50166~	50166~	50166~	50166~
				50190~	50190~	50190~	50190~	50190~	50190~	50190~	50190~	50190~	50190~	50190~	50190~	50190~	50190~	50190~	50190~
				10014~	10014~	10014~	10014~	10014~	10014~	10014~	10014~	10014~	10014~	10014~	10014~	10014~	10014~	10014~	10014~
				10014~	10014~	10014~	10014~	10014~	10014~	10014~	10014~	10014~	10014~	10014~	10014~	10014~	10014~	10014~	10014~
				50022~	50022~	50022~	50022~	50022~	50022~	50022~	50022~	50022~	50022~	50022~	50022~	50022~	50022~	50022~	50022~
				50149~	50149~	50149~	50149~	50149~	50149~	50149~	50149~	50149~	50149~	50149~	50149~	50149~	50149~	50149~	50149~

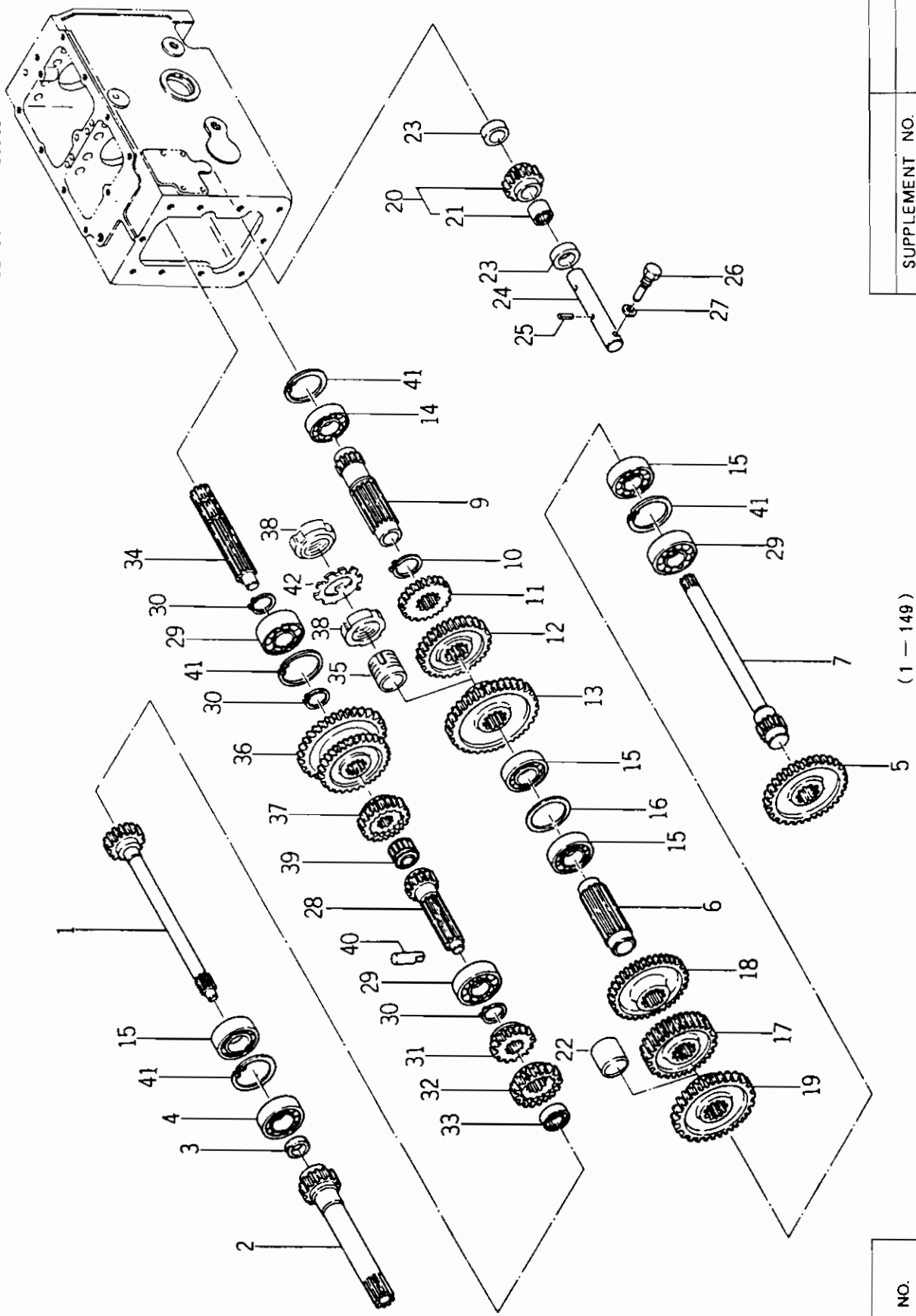
BINDER NO.
ISP3002

SUPPLEMENT NO. No 6 -- FEBRUARY, 1986



36. TRANSMISSION GEARS; DUAL CLUTCH

SD5000T ~50000
SD5040T ~50000



BINDER NO.
ISP3002

(1 - 149)

SUPPLEMENT NO.



36. TRANSMISSION GEARS; DUAL CLUTCH

管理コード

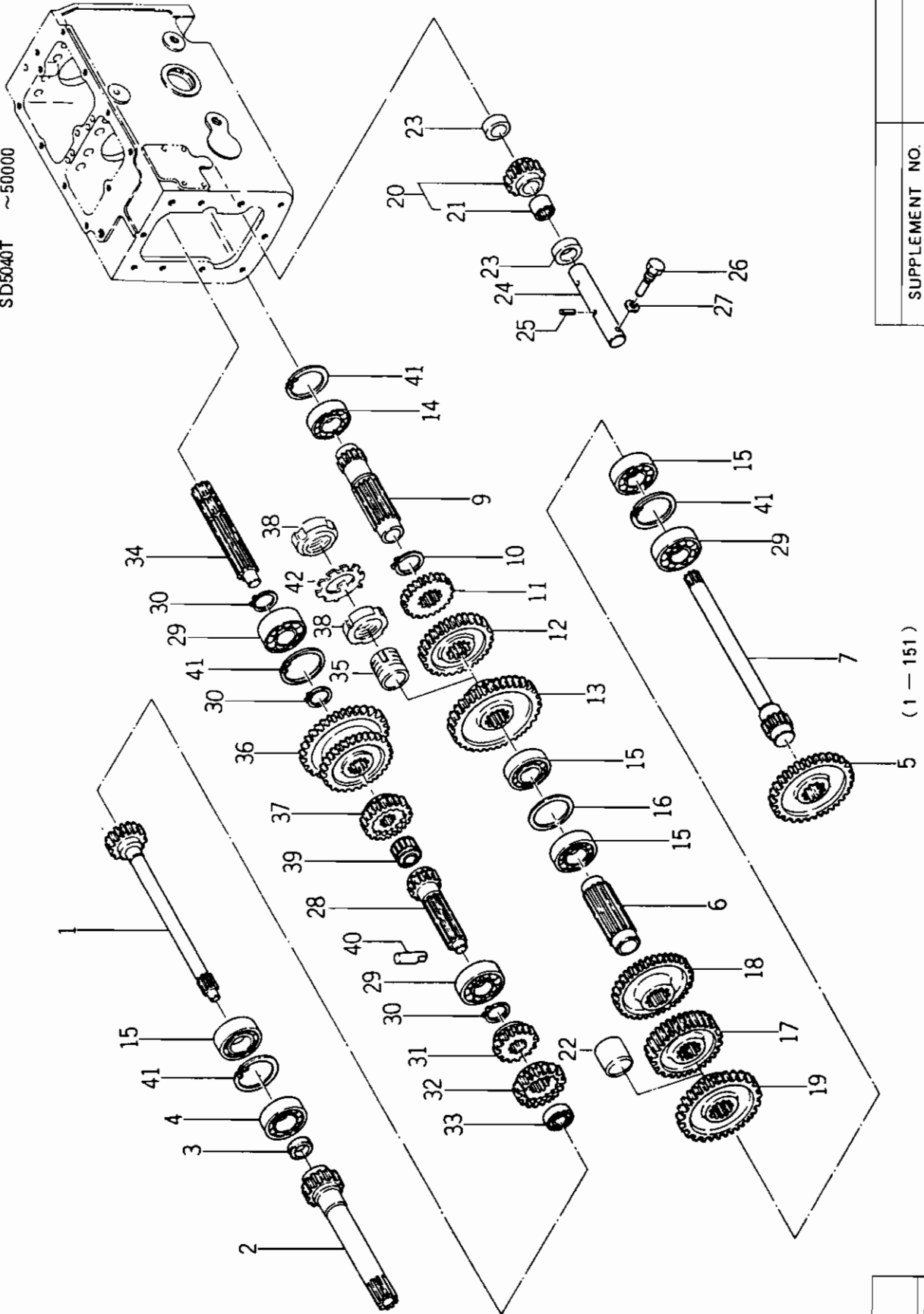
SD5000T ~50000
SD5040T ~50000

REF.NO.	CODE NO.	PART	NAME	Qty										REMARKS
				S	D	S	D	S	D	S	D	S	D	
				4300	4340	4500	4540	5000T	5040T	Min.Qty				
1	32251 0181	DRIVE SHAFT		1	1			1	1					
2	32251 0191	DRIVE SHAFT		1	1									
2	32251 0960	DRIVE SHAFT						1	1					
3	05020 3125	OIL SEAL		1	1			1	1					
4	04010 6010	BEARING		1	1			1	1					
5	32232 0381	FIXING GEAR A		1	1									
5	32232 2050	FIXING GEAR A						1	1					
6	32253 0191	COUNTER SHAFT		1	1			1	1					
7	32257 0071	P.T.O COUNTER SHAFT		1	1			1	1					
9	32253 0201	COUNTFR SHAFT		1	1			1	1					
10	03610 0045	SNAP RING		1	1			1	1					
11	32232 0440	FIXING GEAR A		1	1			1	1				2 RANGE	
12	32232 0430	FIXING GEAR A		1	1			1	1				3 RANGE	
13	32232 1260	FIXING GEAR A		1	1			1	1					
14	04010 6010	BEARING		1	1			1	1					
15	04010 6208	BEARING		4	4			4	4					
16	39921 0550	SPACER		1	1			1	1					
17	32232 0400	FIXING GEAR A		1	1			1	1				1 MAIN	
18	32232 0410	FIXING GEAR A		1	1			1	1				2 MAIN	
19	32232 1250	FIXING GEAR A		1	1			1	1					
20	32203 0120	GEAR ASS'Y		1	1			1	1				BACK IDLE	
21	04230 2525	NEEDLE BEARING		1	1			1	1					
22	39923 1020	COLLAR		1	1			1	1					
23	39926 0480	THRUST WASHER		2	2			2	2					
24	32256 0051	BACK GEAR SHAFT		1	1			1	1					
25	03030 0640	SPRING PIN		2	2			2	2					
26	39943 0190	BOLT		1	1			1	1					
27	02510 0010	SEAL WASHER		1	1			1	1					
28	32252 0102	MAIN SHAFT		1	1			1	1					
29	04010 6307	BEARING		3	3			3	3					



36. TRANSMISSION GEARS; DUAL CLUTCH

SD5000T ~50000
SD5040T ~50000



BINDER NO.
1SP3002

(1 - 151)

SUPPLEMENT NO.



36. TRANSMISSION GEARS; DUAL CLUTCH

SD5000T ~50000
SD5040T ~50000

管理コード

REF.NO.	CODE NO.	PART	NAME	Qty										REMARKS	
				S	D	S	D	S	D	S	D	S	D		
30	03610 0035	SNAP RING		3	3										
31	32234 0220	SLIDE GEAR A		1	1										2 → R MAIN
32	32234 0233	SLIDE GEAR A		1	1										1 → 3 MAIN
33	04010 6204	BEARING		1	1										
34	32252 0112	MAIN SHAFT		1	1										
35	39923 1030	COLLAR		1	1										
36	32236 0250	SLIDE GEAR B		1	1										1 → 2 RANGE
37	32234 0243	SLIDE GEAR A		1	1										3 → 4 RANGE
38	02270 0550	LOCK NUT		2	2										
39	04220 0620	NEEDLE BEARING		1	1										
40	39961 0230	PIN		1	1										
41	03650 0080	SNAP RING		4	4										
42	02810 0550	LOCK WASHER		1	1										

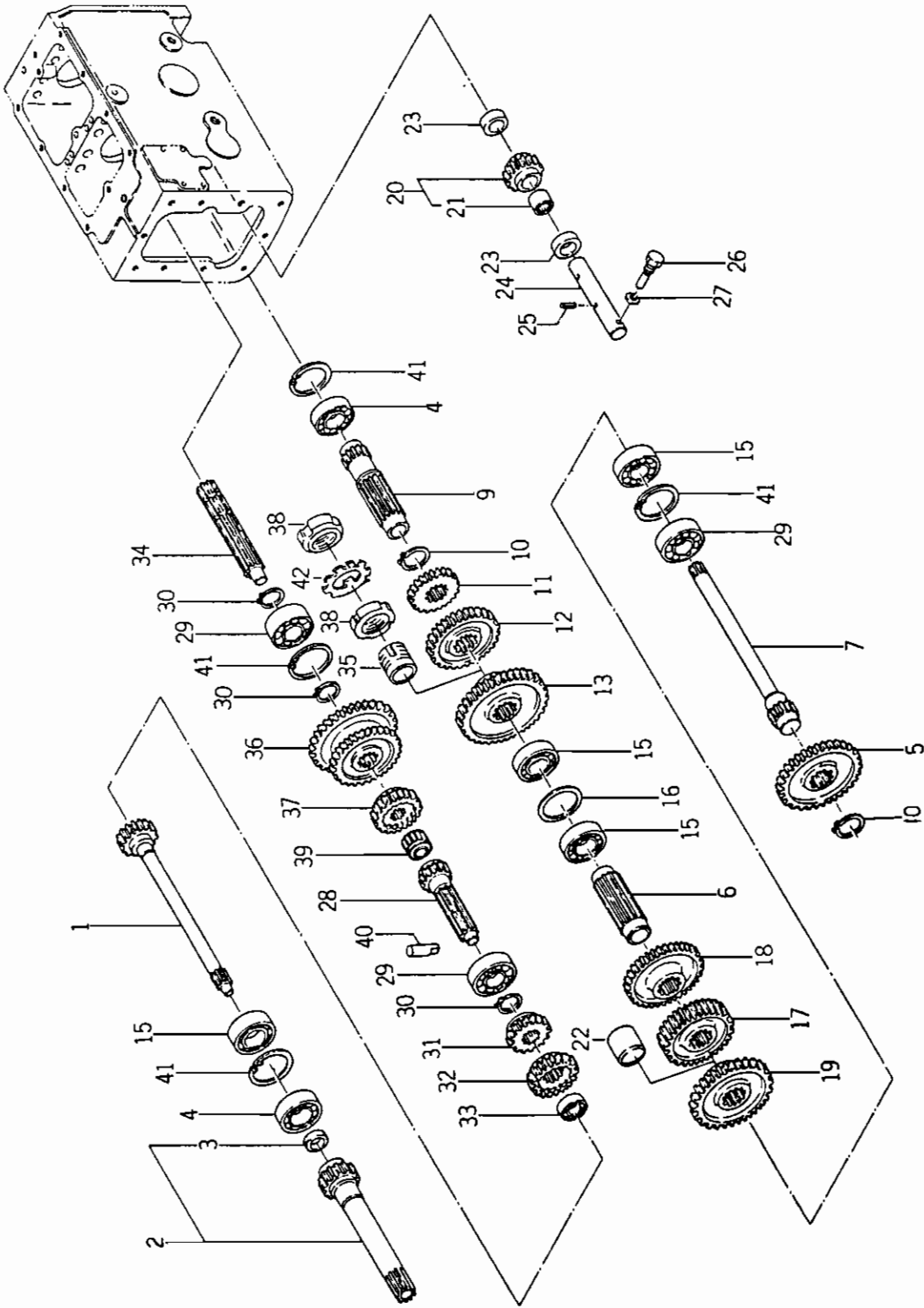
BINDER NO.
I S P 3 0 0 2

SUPPLEMENT NO.



36A. TRANSMISSION GEARS; DUAL CLUTCH

SD5000T 50001~
SD5040T 50001~



BINDER NO.
1SP3002

SUPPLEMENT NO.



36A. TRANSMISSION GEARS; DUAL CLUTCH

SD5000T 50001 ~
SD5040T 50001 ~

管理コード

REFNO.	CODE NO.	PART	NAME	Qty												REMARKS		
				S	D	S	D	S	D	S	D	S	D	S	D		Min.Qty	
1	32251 1550	DRIVE SHAFT																
2	32250 0590	SHAFT COMPL		1		1												
2	32250 0610	SHAFT COMPL		1		1												
3	05020 3125	OIL SEAL		1		1												
4	04010 6010	BEARING		2		2												
5	32232 0381	FIXING GEAR A		1		1												
5	32232 2050	FIXING NEAR A						1										
6	32253 0191	COUNTER SHAFT		1		1												
7	32257 0430	P.T.O COUNTER SHAFT		1		1												
9	32253 0201	COUNTER SHAFT		1		1												
10	03610 0045	SNAP RING		2		2												
11	32232 0440	FIXING GEAR A		1		1												2 RANGE
12	32232 0430	FIXING GEAR A		1		1												3 RANGE
13	32232 1260	FIXING GEAR A		1		1												
15	04010 6208	BEARING		4		4												
16	39921 0550	SPACER		1		1												
17	32232 0400	FIXING GEAR A		1		1												1 MAIN
18	32232 0410	FIXING GEAR A		1		1												2 MAIN
19	32232 1250	FIXING GEAR A		1		1												
20	32203 0120	GEAR ASS'Y		1		1												BACK IDLE
21	04230 2525	NEEDLE BEARING		1		1												
22	39923 1020	COLLAR		1		1												
23	39926 0480	THRUST WASHER		2		2												
24	32256 0051	BACK GEAR SHAFT		1		1												
25	03030 0640	SPRING PIN		2		2												
26	39943 0190	BOLT		1		1												
27	02510 0010	SEAL WASHER		1		1												
28	32252 0460	MAIN SHAFT		1		1												
29	04010 6307	BEARING		3		3												
30	03610 0035	SNAP RING		3		3												

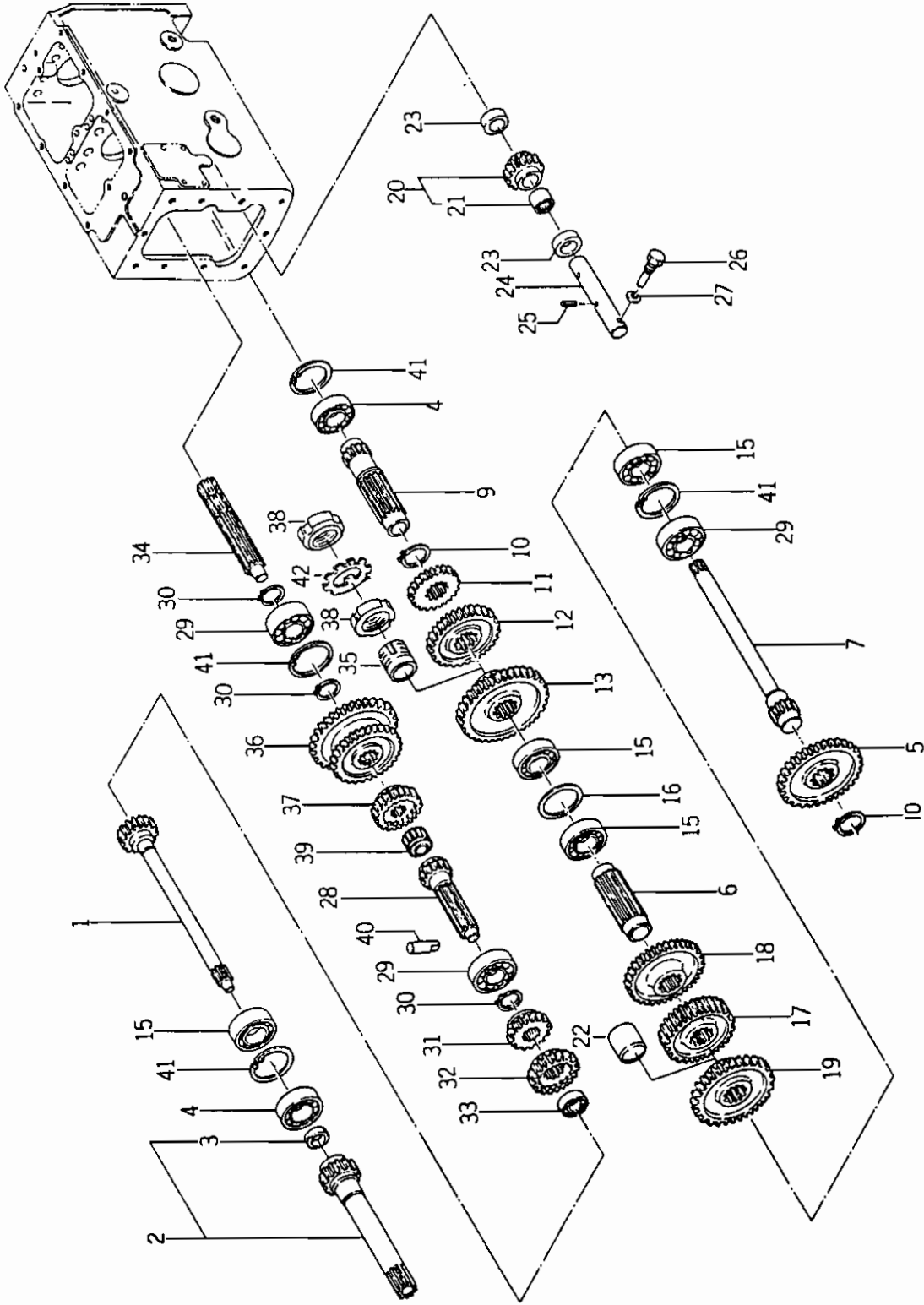
BINDER NO.
ISP3002

SUPPLEMENT NO.



36A. TRANSMISSION GEARS; DUAL CLUTCH

SD5000T 50001 ~
SD5040T 50001 ~



BINDER NO.
1SP3002

(1 - 155)

SUPPLEMENT NO.



36A. TRANSMISSION GEARS; DUAL CLUTCH

SD5000T 50001 ~
SD5040T 50001 ~

管理コード

REF.NO.	CODE NO.	PART	NAME	Qty												Min.Qty	REMARKS
				S	D	S	D	S	D	S	D	S	D	S	D		
31	32234 0220	SLIDE GEAR A															
32	32234 0233	SLIDE GEAR A		1		1		1		1		1		1			2-RMAIN 1-3 MAIN
33	04010 6204	BEARING		1		1		1		1		1		1			
34	32252 0450	MAIN SHAFT		1		1		1		1		1		1			
35	39923 1030	COLLAR		1		1		1		1		1		1			
36	32236 0250	SLIDE GEAR B		1		1		1		1		1		1			1-2 RANGE 3-4 RANGE
37	32234 0243	SLIDE GEAR A		1		1		1		1		1		1			
38	02270 0550	LOCK NUT		2		2		2		2		2		2			
39	04220 9009	NEEDLE BEARING		1		1		1		1		1		1			
40	39961 0230	PIN		1		1		1		1		1		1			
41	03650 0080	SNAP RING		4		4		4		4		4		4			
42	02810 0550	LOCK WASHER		1		1		1		1		1		1			

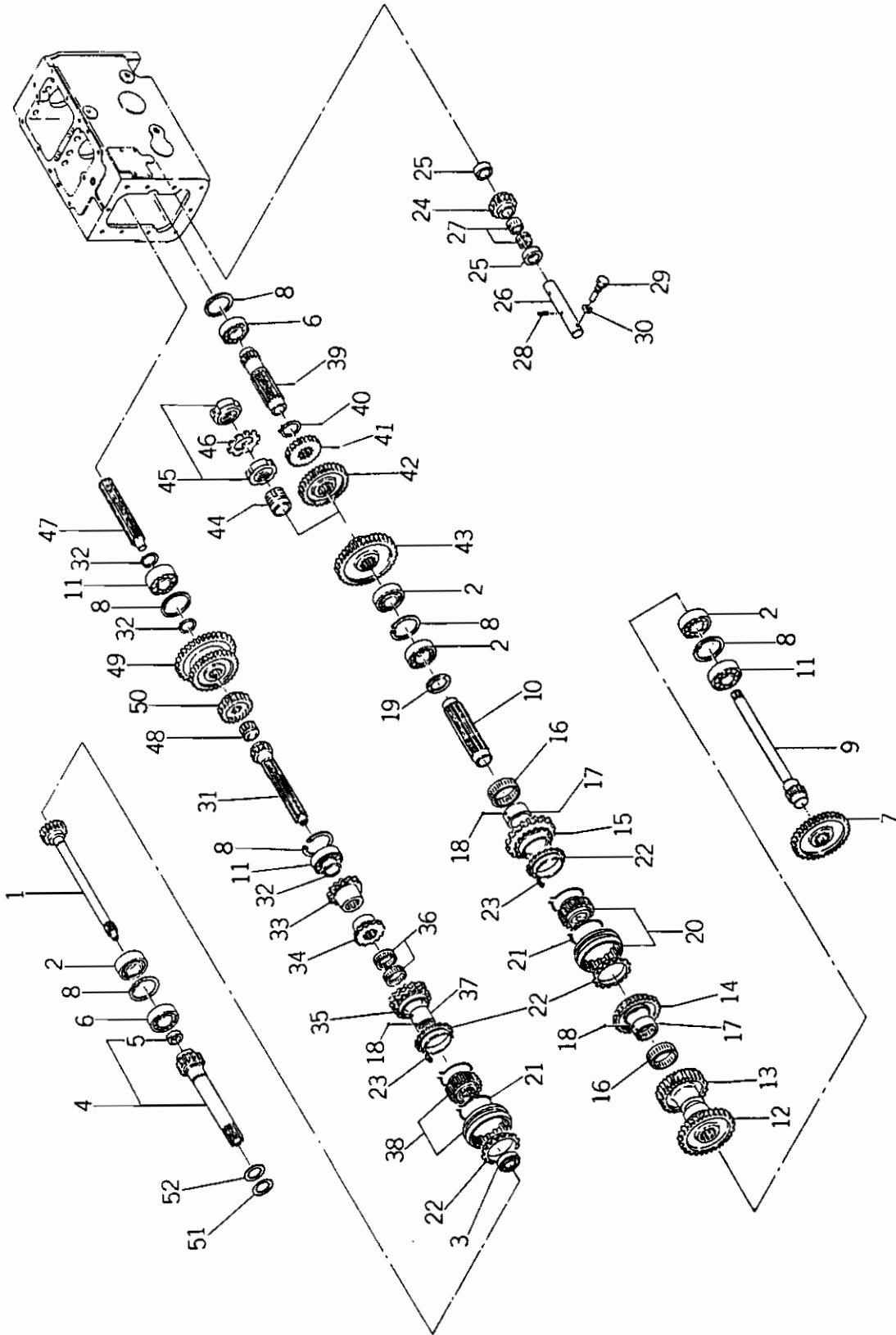
BINDER NO.
1SP3002

SUPPLEMENT NO.



37. SYNCHRONIZED TRANSMISSION GEARS; DUAL CLUTCH

SD5000T 50001~
SD5040T 50001~



BINDER NO.
1SP3002

(1 - 157)

SUPPLEMENT NO.



37. SYNCHRONIZED TRANSMISSION GEARS; DUAL CLUTCH

SD5000T 50001 ~
SD5040T 50001 ~

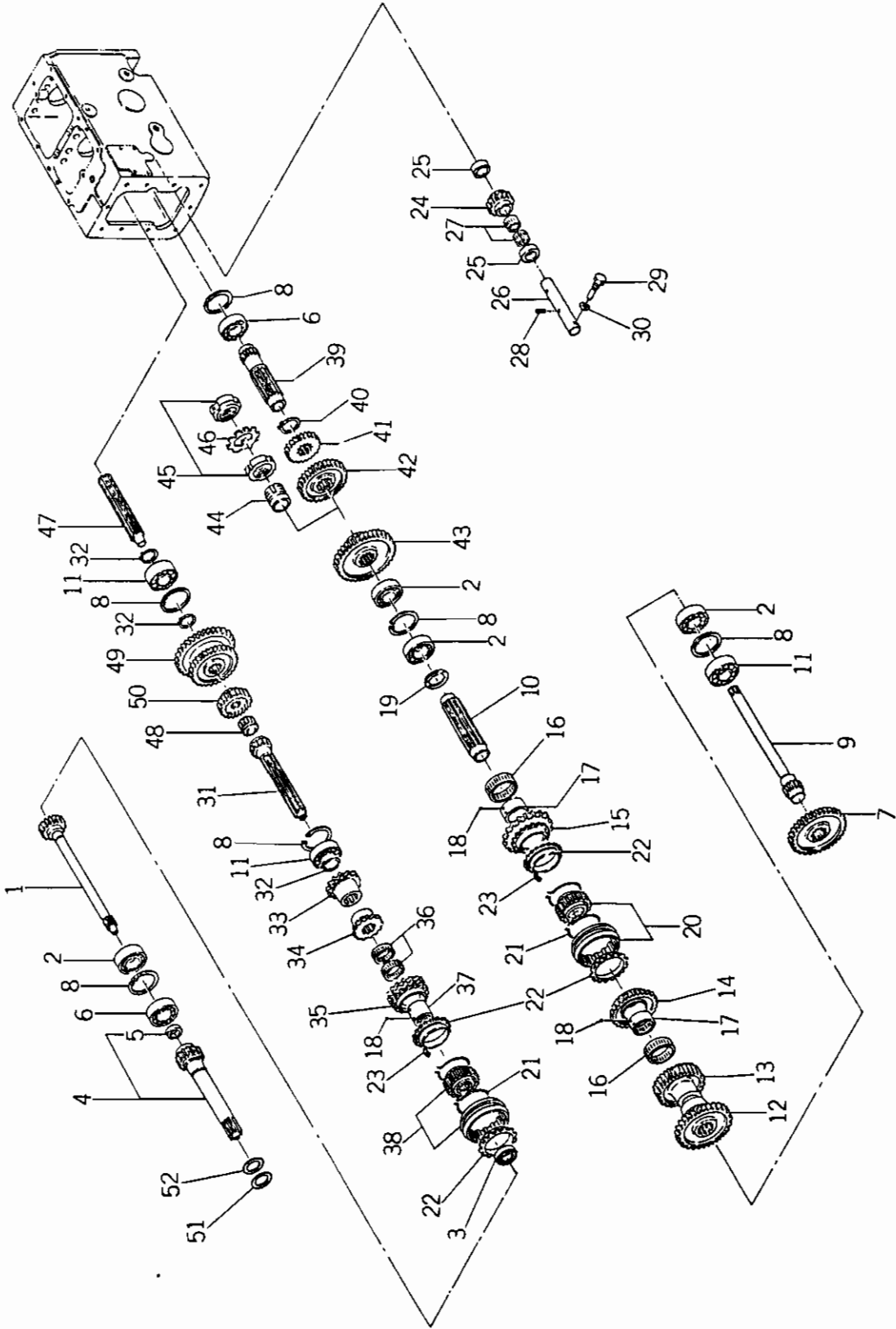
管理コード

REF.NO.	CODE NO.	PART	NAME	Qty												REMARKS		
				S	D	S	D	S	D	S	D	S	D	S	D		Min.Qty	
1	32251 1530	DRIVE SHAFT																
2	04010 6208	BEARING		1		4		4		4		4		4				
3	04010 6006	BEARING		1		1		1		1		1		1				
4	32250 0600	SHAFT COMPL		1		1		1		1		1		1				
4	32250 0620	SHAFT COMPL																
5	05020 3125	OIL SEAL		1		1		1		1		1		1				
6	04010 6010	BEARING		2		2		2		2		2		2				
7	32232 0381	FIXING GEAR A		1		1		1		1		1		1				
7	32232 2050	FIXING GEAR A																
8	03650 0080	SNAP RING		6		6		6		6		6		6				
9	32257 0420	P.T.O COUNTER SHAFT		1		1		1		1		1		1				
10	32253 0850	COUNTER SHAFT		1		1		1		1		1		1				
11	04010 6307	BEARING		3		3		3		3		3		3				
12	32232 2760	FIXING GEAR A		1		1		1		1		1		1				
13	32232 2740	FIXING GEAR A		1		1		1		1		1		1				
14	32238 0900	COUNTFR GEAR B		1		1		1		1		1		1				
15	32238 0890	COUNTER GEAR B		1		1		1		1		1		1				
16	04220 9008	NEEDLE BEARING		2		2		2		2		2		2				
17	32261 0790	COUPLING		2		2		2		2		2		2				
18	04810 0004	STEEL BALL		6		6		6		6		6		6				
19	39926 1210	THRUST WASHER		1		1		1		1		1		1				
20	32203 1370	GEAR ASS'Y		1		1		1		1		1		1				
21	39821 2470	SPRING		4		4		4		4		4		4				
22	32241 0060	SYNCHRONIZER RING		4		4		4		4		4		4				
23	32242 0040	KEY		6		6		6		6		6		6				
24	32237 0760	COUNTER GEAR A		1		1		1		1		1		1				
25	39926 1100	THRUST WASHER		2		2		2		2		2		2				
26	32256 0220	BACK GEAR SHAFT		1		1		1		1		1		1				
27	04220 0525	NEEDLE BEARING		2		2		2		2		2		2				
28	03030 0640	SPRING PIN		2		2		2		2		2		2				



37. SYNCHRONIZED TRANSMISSION GEARS; DUAL CLUTCH

SD5000T 50001~
SD5040T 50001~



BINDER NO.
ISP3002

SUPPLEMENT NO.



37. SYNCHRONIZED TRANSMISSION GEARS; DUAL CLUTCH

SD5000T
SD5040T

50001 ~
50001 ~

管理コード

REF.NO	CODE NO.	PART	NAME	Qty												REMARKS
				S D 4300	S D 4340	S D 4500	S D 4540	S D 5000T	S D 5040T	S D 5000T	S D 5040T	S D 5000T	S D 5040T	Min.Qty		
29	39943 0190	BOLT				1	1	1	1	1	1	1	1			
30	02510 0010	SEAL WASHER				1	1	1	1	1	1	1	1			
31	32252 0440	MAIN SHAFT				1	1	1	1	1	1	1	1			
32	03610 0035	SNAP RING				3	3	3	3	3	3	3	3			
33	32232 2750	FIXING GEAR A				1	1	1	1	1	1	1	1			
34	32232 2730	FIXING GEAR A				1	1	1	1	1	1	1	1			
35	32238 0880	COUNTER GEAR B				1	1	1	1	1	1	1	1			
36	04220 9007	NEEDLE BEARING				2	2	2	2	2	2	2	2			
37	32261 0800	COUPLING				1	1	1	1	1	1	1	1			
38	32203 1360	GEAR ASS'Y				1	1	1	1	1	1	1	1			
39	32253 0860	COUNTER SHAFT				1	1	1	1	1	1	1	1			
40	03610 0045	SNAP RING				1	1	1	1	1	1	1	1			
41	32232 0440	FIXING GEAR A				1	1	1	1	1	1	1	1			
42	32232 0430	FIXING GEAR A				1	1	1	1	1	1	1	1			
43	32232 2700	FIXING GEAR A				1	1	1	1	1	1	1	1			
44	39923 2830	COLLAR				1	1	1	1	1	1	1	1			
45	02270 0550	LOCK NUT				2	2	2	2	2	2	2	2			
46	02810 0550	LOCK WASHER				1	1	1	1	1	1	1	1			
47	32252 0450	MAIN SHAFT				1	1	1	1	1	1	1	1			
48	04220 9009	NEEDLE BEARING				1	1	1	1	1	1	1	1			
49	32236 0250	SLIDE GEAR B				1	1	1	1	1	1	1	1			
50	32234 0243	SLIDE GEAR A				1	1	1	1	1	1	1	1			
51	39928 0760	SHIM; 0.2				A/R	A/R	A/R	A/R	A/R	A/R	A/R	A/R			
52	39928 0770	SHIM; 0.5				A/R	A/R	A/R	A/R	A/R	A/R	A/R	A/R			

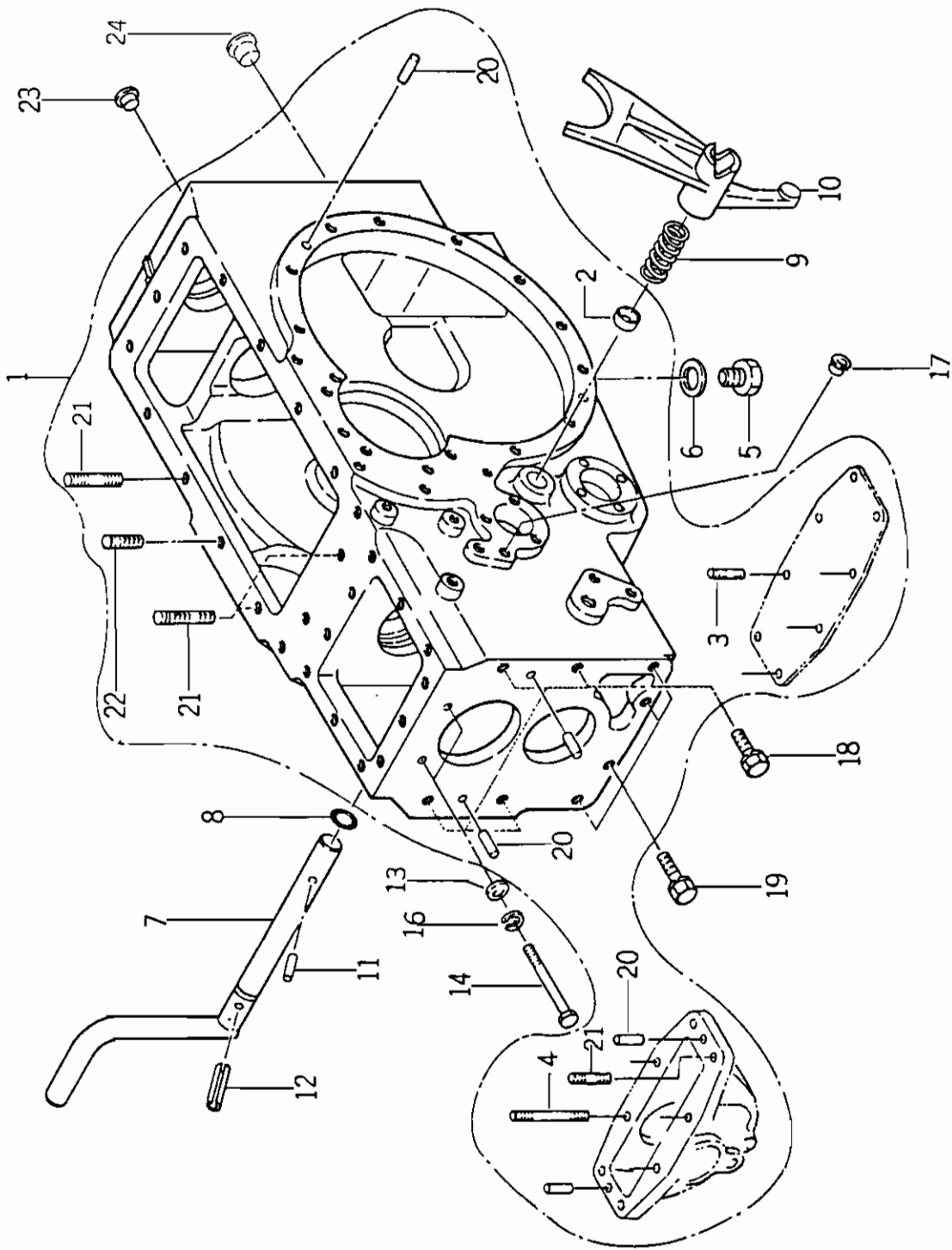
BINDER NO.
I SP 3 0 0 2

(1 - 160)

SUPPLEMENT NO.



38. TRANSMISSION CASE; DIFFERENTIAL



BINDER NO.
1 SP3002

SUPPLEMENT NO.

(1 - 161)

38. TRANSMISSION CASE; DIFFERENTIAL



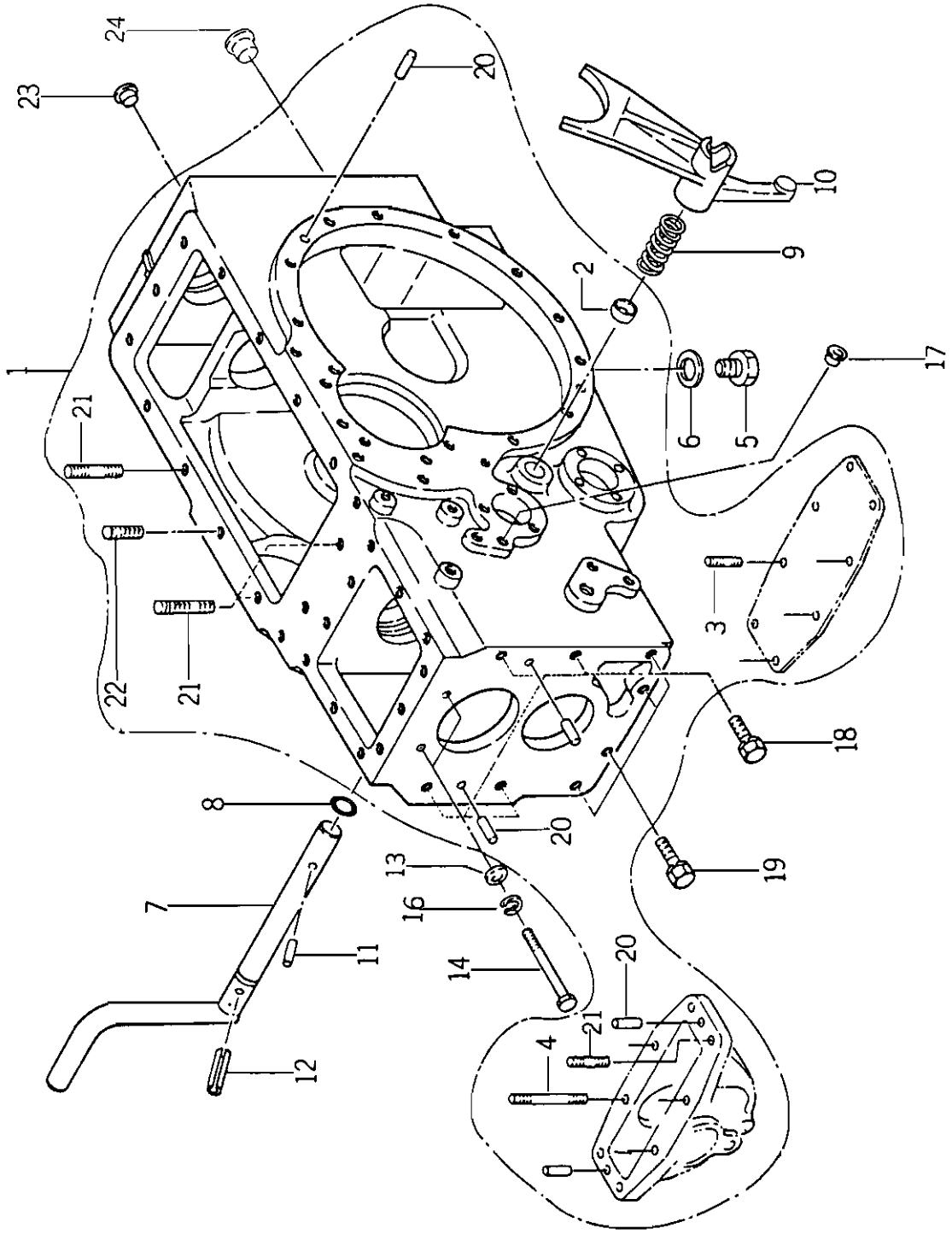
管理コード

REF.NO.	CODE NO.	PART	NAME	Qty										REMARKS			
				S	D	S	D	S	D	S	D	S	D				
1	32201 1541	CASING ASS'Y		1												Min.Qty	(a) Exclude 4 (b) Exclude 4
1	32201 1542	CASING ASS'Y			1												(a) Exclude 3 (b) Exclude 3
1	32201 1531	CASING ASS'Y						1									
1	32201 1532	CASING ASS'Y		1													
2	06420 0022	SEALING CAP															
2	39846 0360	BLANK PLUG						1									
3	01211 1020	STUD BOLT		4				4									
4	01211 1070	STUD BOLT			4												
5	06460 0016	PLUG		1				1									
6	02510 0016	SEAL WASHER		1				1									
7	32650 0200	DIFF LOCK PEDAL		1				1									
8	05210 0180	O-RING		1				1									
9	39821 0210	SPRING		1				1									
10	32657 0340	DIFF LOCK HORK		1				1									
11	32662 0010	PIN		1				1									
12	03030 0840	SPRING PIN		1				1									
13	39921 0570	SPACER		2				2									
14	01010 9185	BOLT		2				2									
14	01013 1080	BOLT		2				2									
16	02710 0010	SPRING WASHER		2				2									
17	39846 0020	BLANK PLUG		5				5									
18	01131 1235	BOLT		4				4									
19	01131 1240	BOLT		4				4									
20	03050 1025	DOWEL PIN		6				6									
21	01211 1030	STUD BOLT		3				3									
22	01211 1025	STUD BOLT		1				1									
23	39846 0050	BLANK PLUG		4				4									
24	39846 0010	BLANK PLUG		4				4									

Feb., 1986



38. TRANSMISSION CASE; DIFFERENTIAL



BINDER NO.
ISP3002

(1 - 163)

SUPPLEMENT NO.



38. TRANSMISSION CASE; DIFFERENTIAL

管理コード

REF.NO.	CODE NO.	PART	NAME	Qty					Min.Qty	REMARKS
				S D	S D	S D	S D	S D		
	(a) { SD4300 ~15211 SD4340 ~16460 SD5000T ~15211 SD5040T ~16450 } (b) { SD4300 15212 ~ SD4340 16461 ~ SD5000T 15212 ~ SD5040T 16451 ~ }									

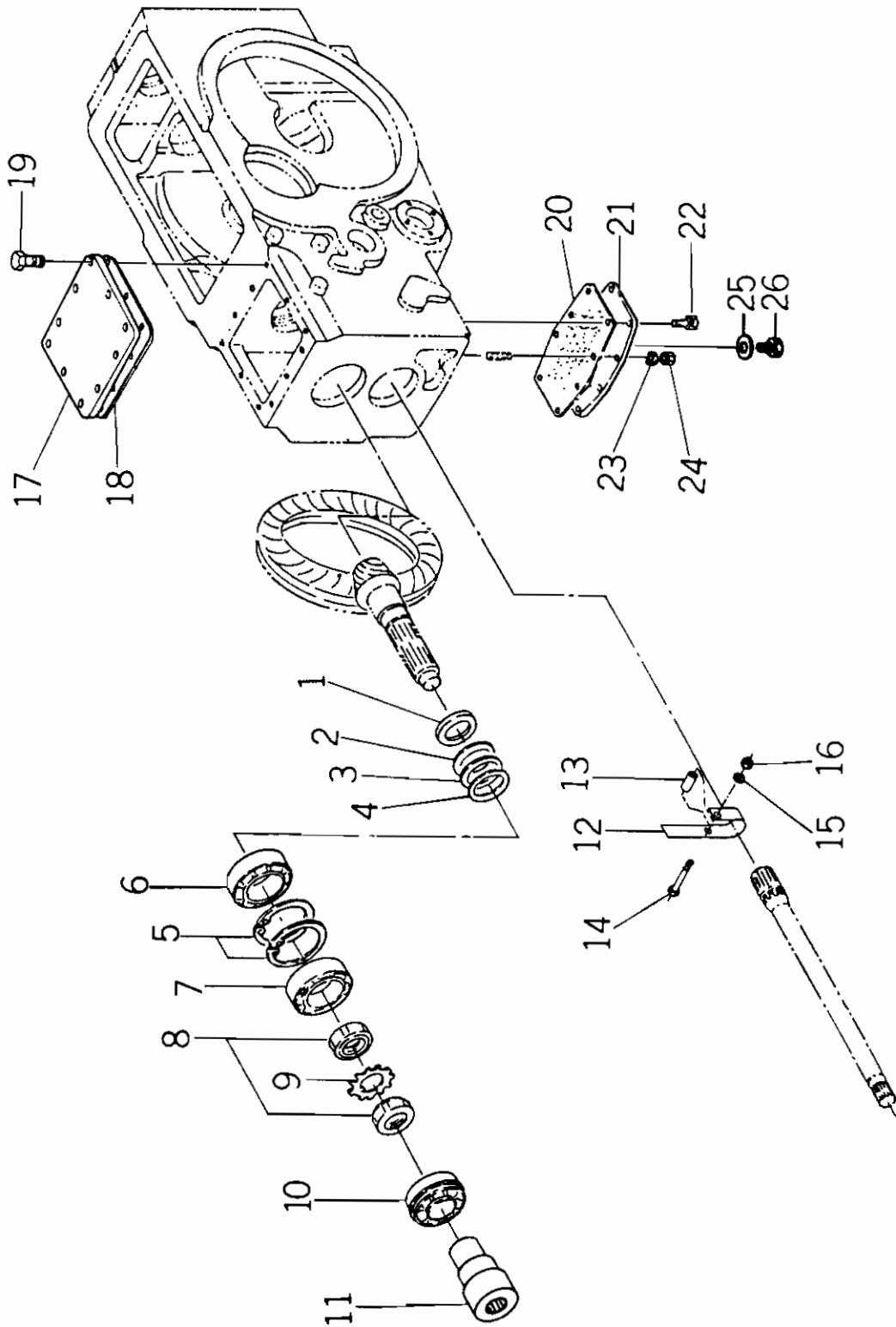
BINDER NO.
ISP3002

SUPPLEMENT NO.



39. TRANSMISSION GEARS; 2 WD

SD5000T 50001~



BINDER NO.
ISP3002

(1 - 165)

SUPPLEMENT NO. No.6 - FEBRUARY, 1986

39. TRANSMISSION GEARS; 2 WD



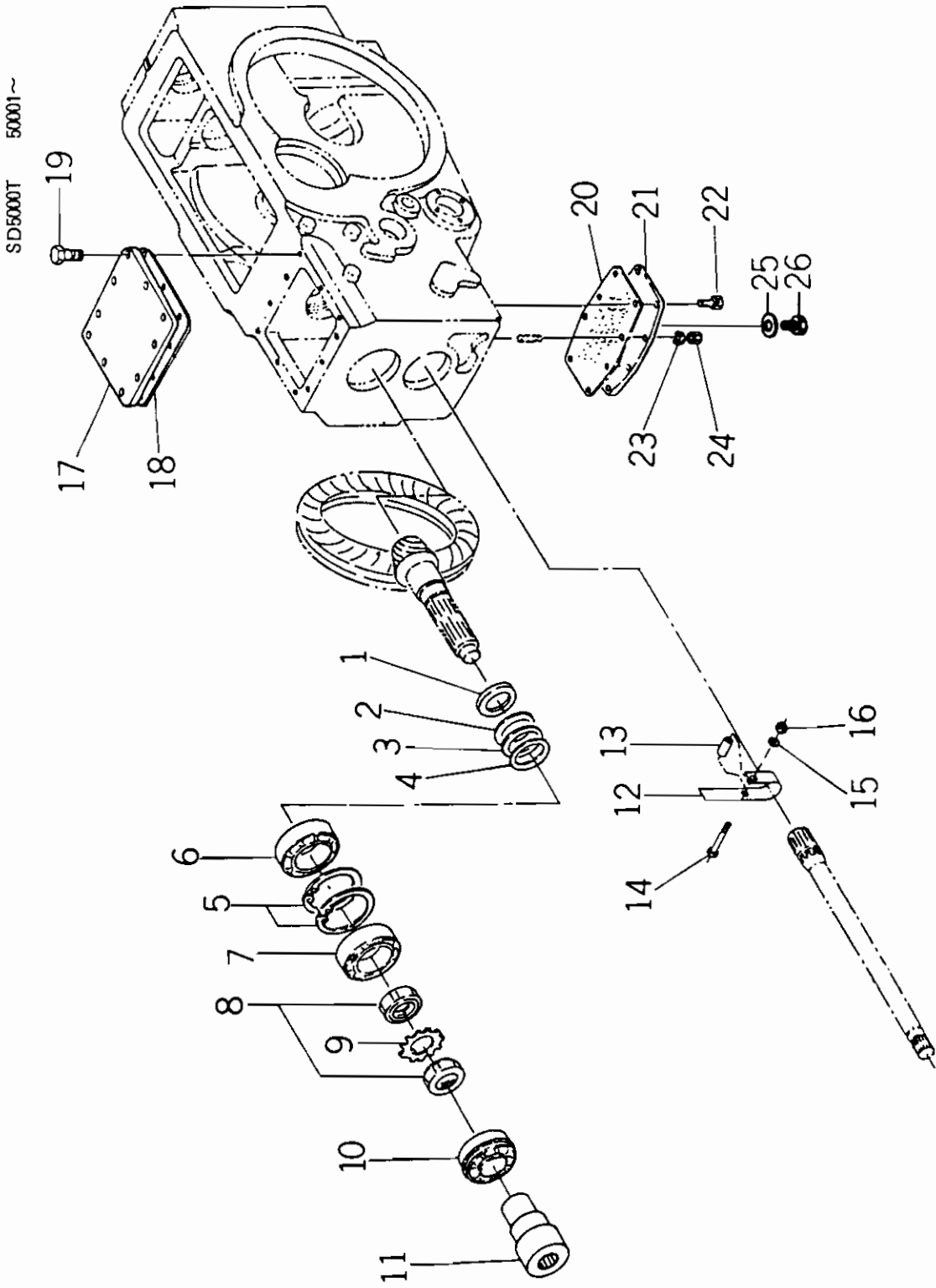
管理コード

SD5000T 50001~

REF.NO.	CODE NO.	PART	NAME	Q'ty							REMARKS	
				SD 4300	SD 4500	SD 4540	SD 5000T	SD 5040T	SD	Min.Q'ty		
1	19926 0070	THRUST WASHER			1				1			
2	19928 0600	SHIM; 0.1		A/R					A/R			
3	19928 0610	SHIM; 0.2		A/R					A/R			
4	19928 0620	SHIM; 0.5		A/R					A/R			
5	03650 0085	SNAP RING		2					2			
6	04253 2209	BEARING		1					1			
7	04253 0209	BEARING		1					1			
8	02270 0400	LOCK NUT		2					2			
9	02810 0400	LOCK WASHER		1					1			
10	04015 6210	BEARING		1					1			
11	32261 0090	COUPLING		1					1			
12	39956 1220	ALATE		1					1			
13	39923 1170	COLLAR		1					1			
14	01010 0635	BOLT		1					1			
15	02710 0006	SPRING WASHER		1					1			
16	02240 0006	U-NUT		1					1			
17	32221 0570	CASE COVER		1					1			
18	32299 0310	GASKET		1					1			(a) ϕ
18	32299 0230	GASKET		1					1			(b) ϕ
19	01130 0820	BOLT		11					11			
20	32299 0300	GASKET		1					1			(c) ϕ
20	32299 0301	GASKET		1					1			(d) ϕ
21	32221 0560	CASE COVER		1					1			(c)
21	32220 0360	CASE COVER		1					1			(d)
22	01130 1020	BOLT		4					4			
23	02710 0010	SPRING WASHER		4					4			
24	02020 0010	NUT		4					4			
25	02510 0012	SEAL WASHER		1					1			(d)
26	01020 1212	BOLT		1					1			(d)



39. TRANSMISSION GEARS; 2WD



BINDER NO.
I SP 3 0 0 2

(1 - 166A)

SUPPLEMENT NO. No 6 - FEBRUARY, 1986



39. TRANSMISSION GEARS; 2WD

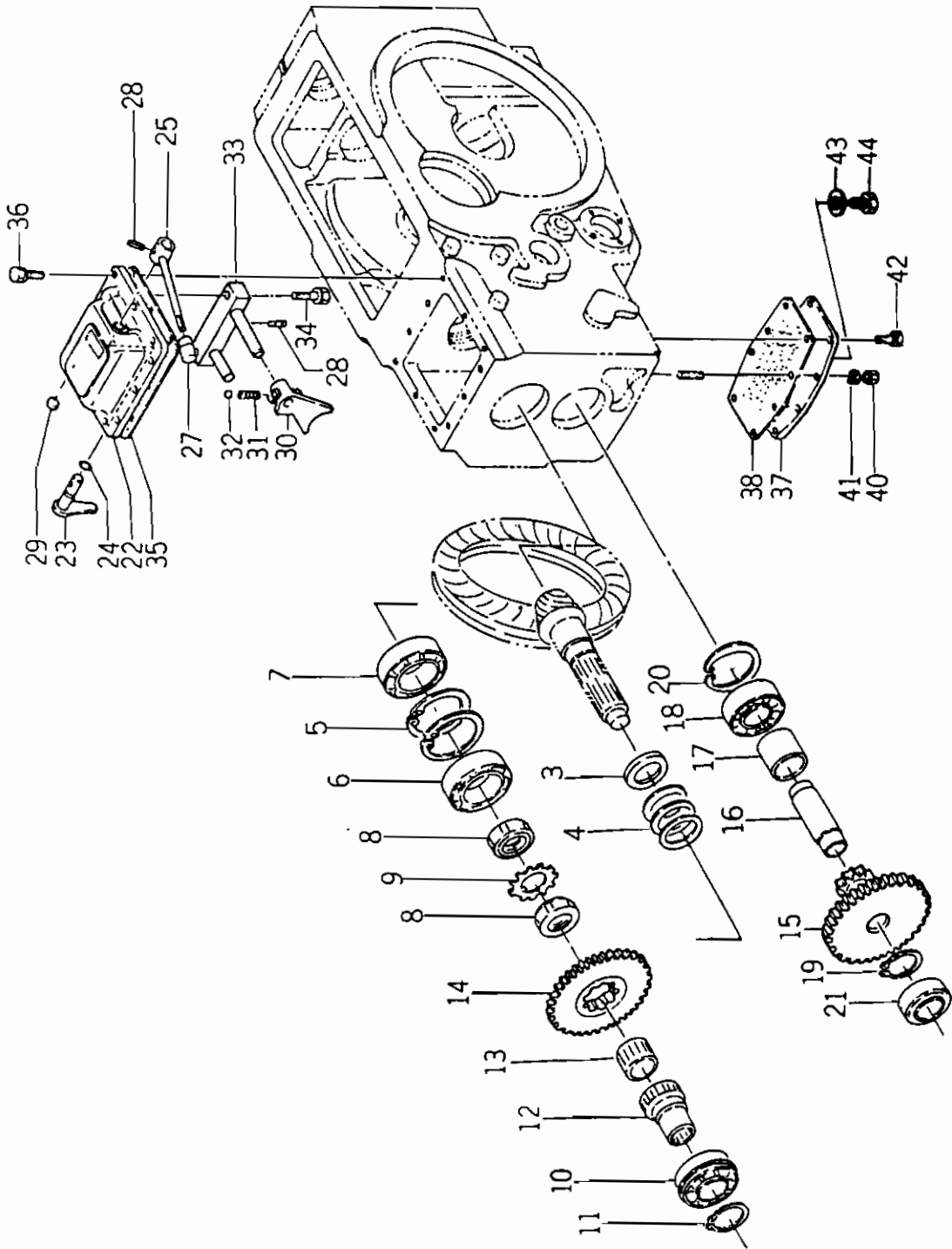
管理コード

SD5000T 50001~

REF. NO.	CODE NO.	PART	NAME	Q'ty											REMARKS				
				SD 4300	SD 4340	SD 4500	SD 4540	SD 5000T	SD 5040T	SD 5043	SD 5043A	SD 5043B	SD 5043C	SD 5043D		Min.Qty			
	(a) { SD4500 SD5000T	10001~10060 50001~50473	(c) { SD4500 SD5000T																
		10061~ 50474~	10001~10042 10001~50433																



40. CREEP TRANSMISSION GEARS; 2 WD





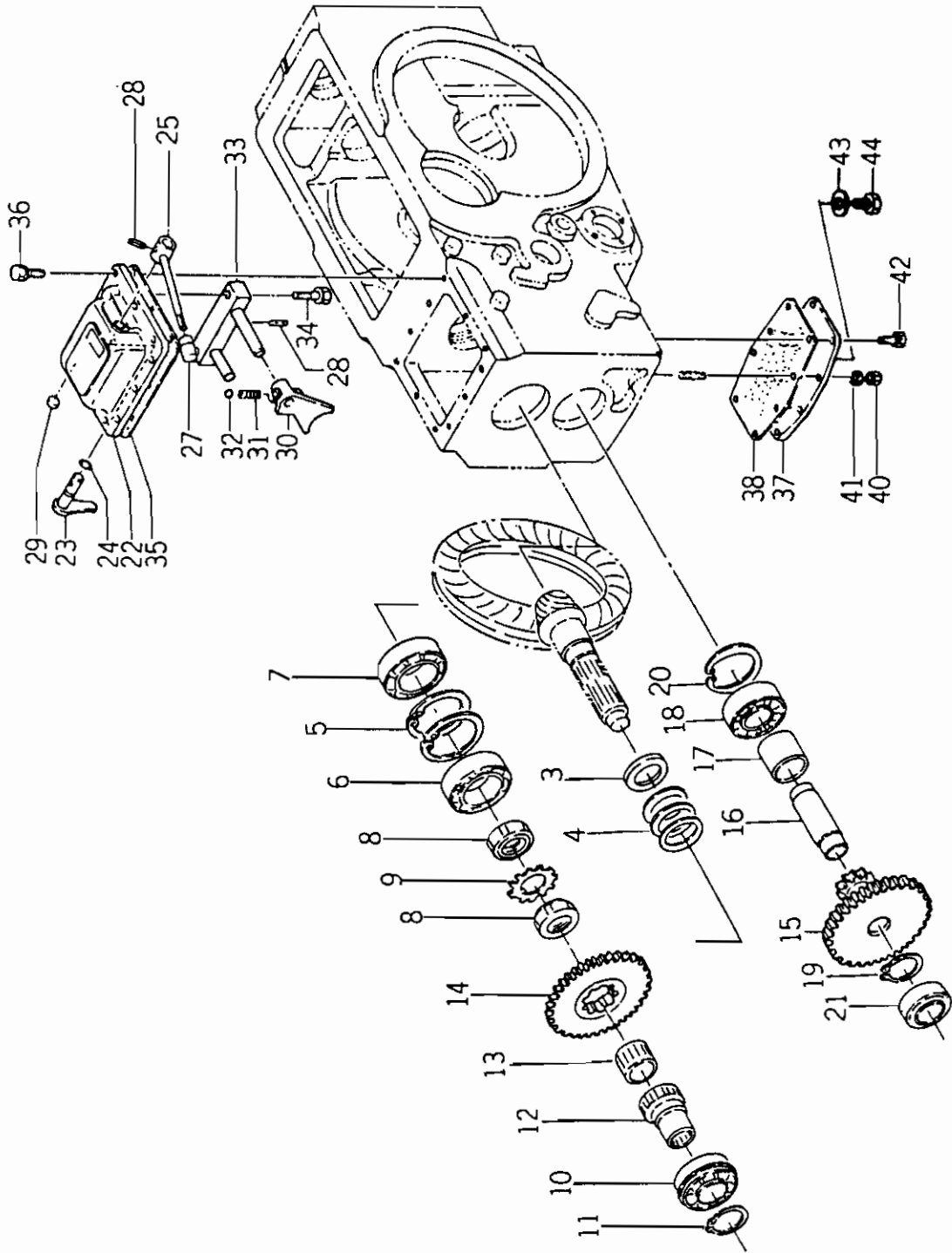
40. CREEP TRANSMISSION GEARS; 2 WD

管理コード

REFNO.	CODE NO.	PART	NAME	Qty												Min. Qty	REMARKS
				S	D	S	D	S	D	S	D	S	D	S	D		
3	19926 0070	THRUST WASHER		1													
4	19928 0600	SHIM; 0.1		AR													
4	19928 0610	SHIM; 0.2		AR													
4	19928 0620	SHIM; 0.5		AR													
5	03650 0085	SNAP RING		2													
6	04253 0209	BEARING		1													
7	04253 2209	BEARING		1													
8	02270 0400	LOCK NUT		2													
9	02810 0400	LOCK WASHER		1													
10	04015 6210	BEARING		1													
11	03610 0050	SNAP RING		1													
12	32232 0550	FIXING GEAR A		1													
13	04222 0530	NEEDLE BEARING		1													
14	32234 0261	SLIDE GEAR A		1												(a)	
14	32234 1170	SLIDE GEAR A		1												(b)	
15	32238 0170	COUNTER GEAR B		1													
16	32253 0220	COUNTER SHAFT		1													
17	39923 0540	COLLAR		1													
18	04010 6307	BEARING		1													
19	03610 0035	SNAP RING		1													
20	03650 0080	SNAP RING		1													
21	04010 6007	BEARING		1													
22	32471 0340	CHANGE LEVER CASE		1													
23	32420 0130	SHAFT ARM		1													
24	05210 0110	O-RING		1													
25	32410 0650	CHANGE LEVER		1													
27	49818 0100	GLIP		1													
28	03030 0625	SPRING PIN		2													
29	06420 9001	SEALING CAP		1													
29	06420 0015	SEALING CAP		1												Feb., 1986	



40. CREEP
TRANSMISSION GEARS; 2 WD



BINDER NO.
ISP3002

(1 -- 169)

SUPPLEMENT NO.
No. 6 -- FEBRUARY, 1986



40. CREEP TRANSMISSION GEARS; 2 WD

管理コード

REF.NO.	CODE NO.	PART	NAME	Qty										Min.Qty	備考 REMARKS		
				S D 4300	S D 4340	S D 4500	S D 4540	S D 5000T	S D 5040T	S D 5040T	S D 5040T	S D 5040T					
30	32441 0342	SHIFTER HORK		1		1											
31	39821 0460	SPRING		1		1											
32	04810 0011	STEEL BALL		1		1										(a)	
33	32430 0350	SHIFTER ROD		1		1										(b)	
33	32430 0470	SHIFTER ROD				1											
34	01131 1040	BOLT		2		2											
35	32499 0090	GASKET		1		1										(c)	
35	32499 0091	GASKET		1		1										(d)	
35	32499 0230	GASKET		1		1										(f)	
36	01130 0820	BOLT		11		11										(e)	
37	32221 0560	CASE COVER		1		1										(g)	
37	32220 0360	CASE COVER		1		1										(h)	
38	32299 0300	GASKET		1		1										(g)	
38	32299 0301	GASKET		1		1										(h)	
40	02020 0010	NUT		4		4											
41	02710 0010	SPRING WASHER		4		4											
42	01130 1020	BOLT		4		4											
43	02510 0012	SEAL WASHER		1		1											
44	01020 1212	GASKET		1		1											
				(a) SD5000T	~50000	(b) SD5000T	50001~										
				(c) { SD4500 SD5000T	~10037 ~50165	(d) { SD4500 SD5000T	10038~ 50166~										
				(e) { SD4500 SD5000T	~10060 ~50473	(f) { SD4500 SD5000T	10061~ 50474~	(g) { SD4500 SD5000T	~10042 ~50433	(h) { SD4500 SD5000T	10043~ 50434~						

BINDER NO.
ISP3002

(1 - 170)

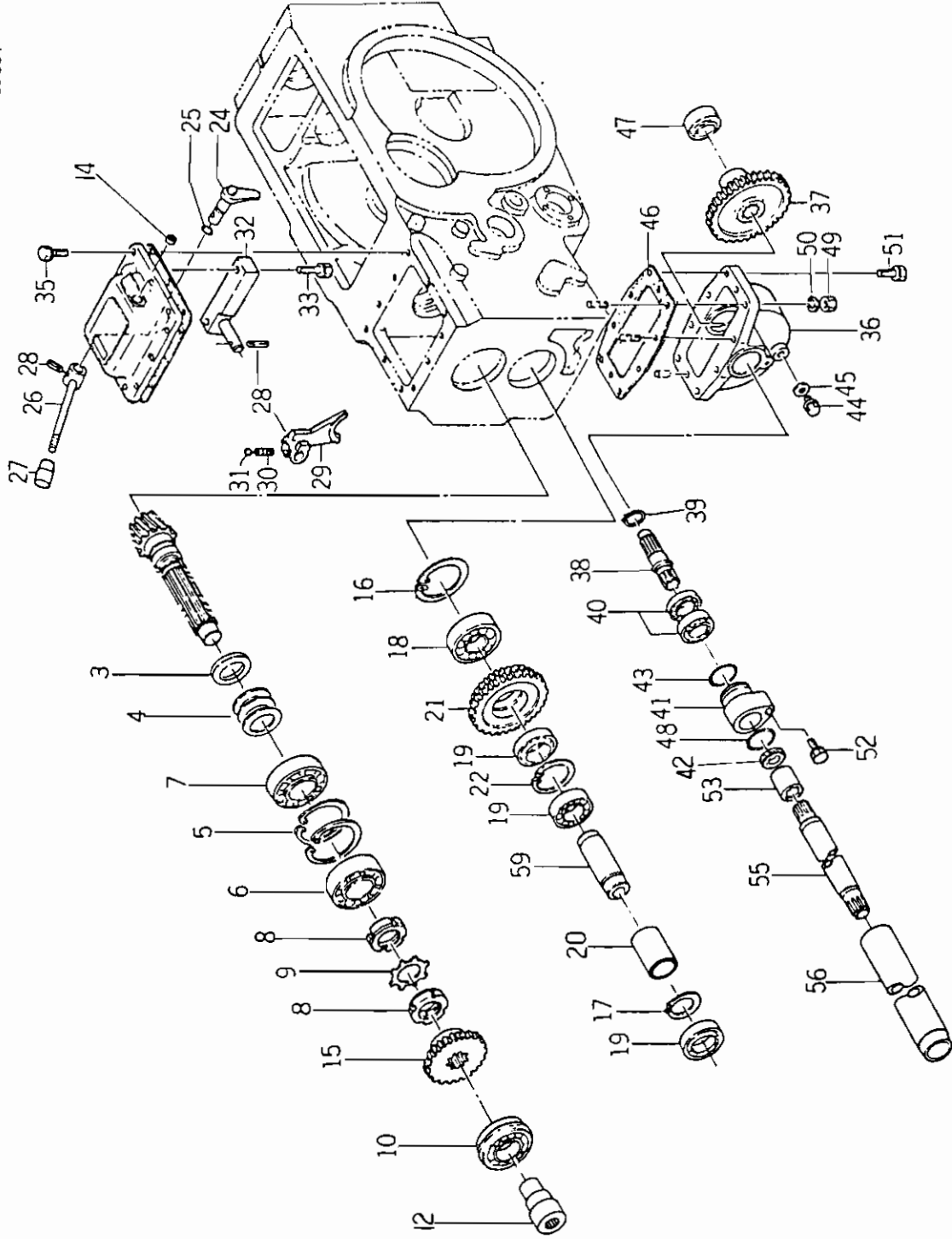
SUPPLEMENT NO.

No.6 - FEBRUARY, 1986



41. TRANSMISSION GEARS; 4WD

SD5040T 50001~



BINDER NO.
ISP3002

SUPPLEMENT NO.

41. TRANSMISSION GEARS; 4 WD



管理コード

SD5040T 50001~

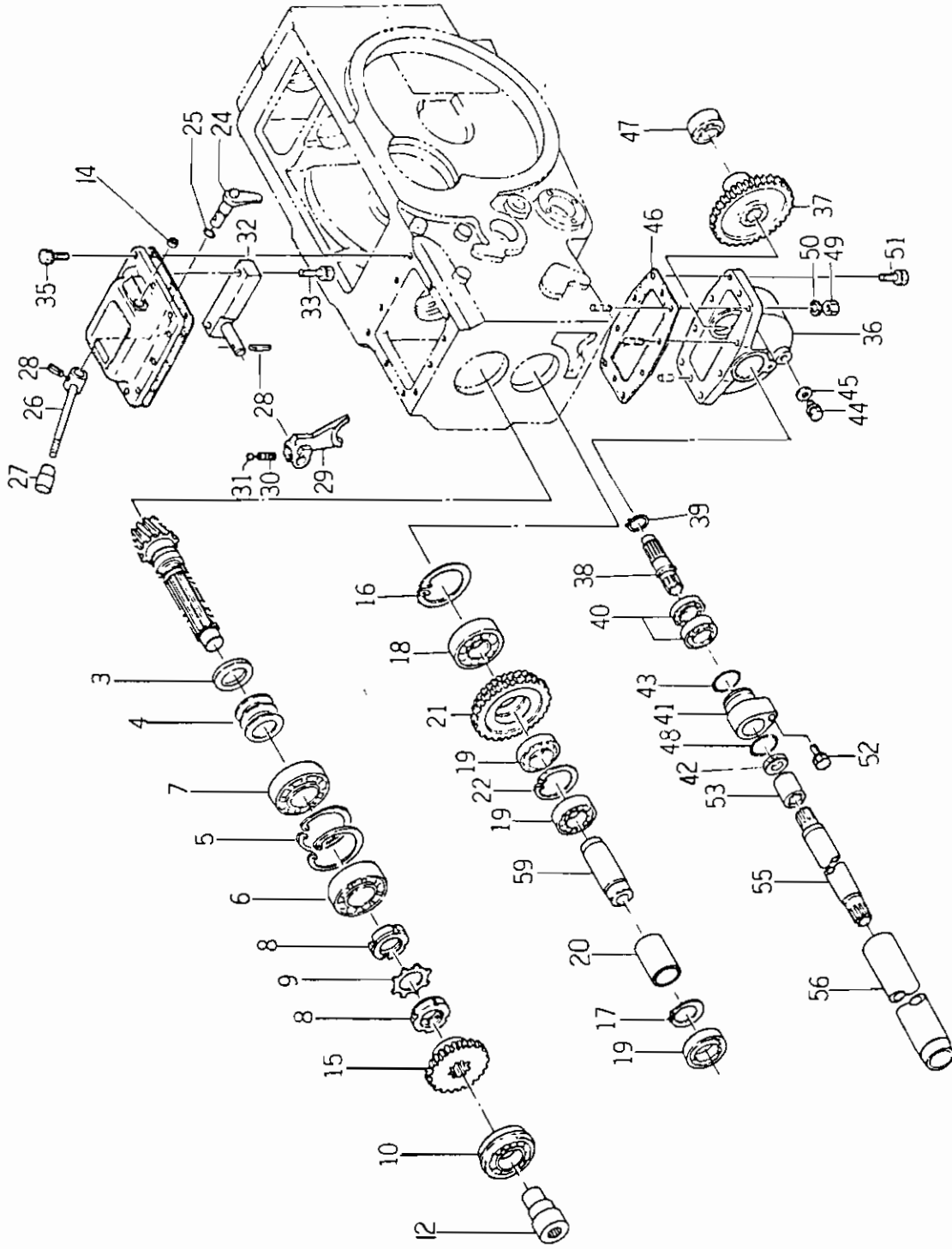
REF.NO.	CODE NO.	PART	NAME	Q'ty										REMARKS		
				S D 4300	S D 4340	S D 4500	S D 4540	S D 5000T	S D 5040T	Min.Qty						
3	19926 0070	THRUST WASHER				1										
4	19928 0600	SHIM; 0.1				A/R										
4	19928 0610	SHIM; 0.2				A/R										
4	19928 0620	SHIM; 0.3				A/R										
5	03650 0085	SNAP RING				2										
6	04253 0209	TAPER BEARING				1										
7	04253 2209	TAPER BEARING				1										
8	02270 0400	LOCK NUT				2										
9	02810 0400	LOCK WASHER				1										
10	04015 6210	BEARING				1										
12	32261 0090	COUPLING				1										
14	06420 9001	SEALING CAP				1										
14	06420 0015	SEALING CAP				1										
15	32234 1160	SLIDE GEAR A				1										
16	03650 0080	SNAP RING				1										
17	03610 0035	SNAP RING				1										
18	04010 6307	BEARING				1										
19	04010 6007	BEARING				3										
20	39923 0530	COLLAR				1										
21	32238 0990	COUNTER GEAR B				1										
22	03650 0062	SNAP RING				1										
23	32471 0340	CAHNG LEVER CASE				1										
24	32420 0130	SHAFT ARM				1										
25	05210 0110	O-RING				1										
26	32410 0650	CHANGE LEVER				1										
27	49818 0100	GRIP				1										
28	03030 0625	SPRING PIN				2										
29	32441 0342	SHIFTER HORK				1										
30	39821 0460	SPRING				1										
31	04810 0011	STEEL BALL				1										

Feb., 1986



41. TRANSMISSION GEARS; 4 WD

SD5040T 50001~



BINDER NO.
ISP3002

SUPPLEMENT NO.

41. TRANSMISSION GEARS; 4 WD



管理コード

SD5040T 50001~

REF.NO.	CODE NO.	PART	NAME	Qty										REMARKS				
				S D 4300	S D 4340	S D 4500	S D 4540	S D 5000T	S D 5040T	S D 5040T	S D 5040T	S D 5040T	Min.Qty					
32	32430 0451	SHIFTER ROD																
33	01131 1040	BOLT																(a)
34	32499 0090	GASKET																(b)
34	32499 0091	GASKET																(c)
34	32499 0230	GASKET																(d)
35	01130 0820	BOLT																
36	32211 1120	MISSION CASE																
37	32232 2810	FIXING GEAR																
38	32251 1570	DRIVE SHAFT																
39	03610 0025	SNAP RING																
40	04010 6005	BEARING																
41	32019 0260	HOLDER																
42	05020 3130	OIL SEAL																
43	05230 0400	O-RING																
44	01020 1212	BOLT																
45	02510 0012	SEAL WASHER																
46	32299 0350	GASKET																(a)
46	32299 0351	GASKET																(b)
47	04010 6204	BEARING																
48	05230 0450	O-RING																
49	02020 0010	NUT																
50	02710 0010	SPRING WASHER																
51	01131 1030	BOLT																
52	01130 0835	BOLT																
53	32261 0250	COUPLING																
55	32251 1560	SHAFT																
56	32017 0540	PIPE																
59	32253 0220	COUNTFR SHAFT																
	(a) SD4540	~10037																
	(b) SD4540	~50189																
	(c) SD4540	~10060																
	(d) SD4540	~50473																
	(a) SD4540	10061~																
	(d) SD5040T	50474~																

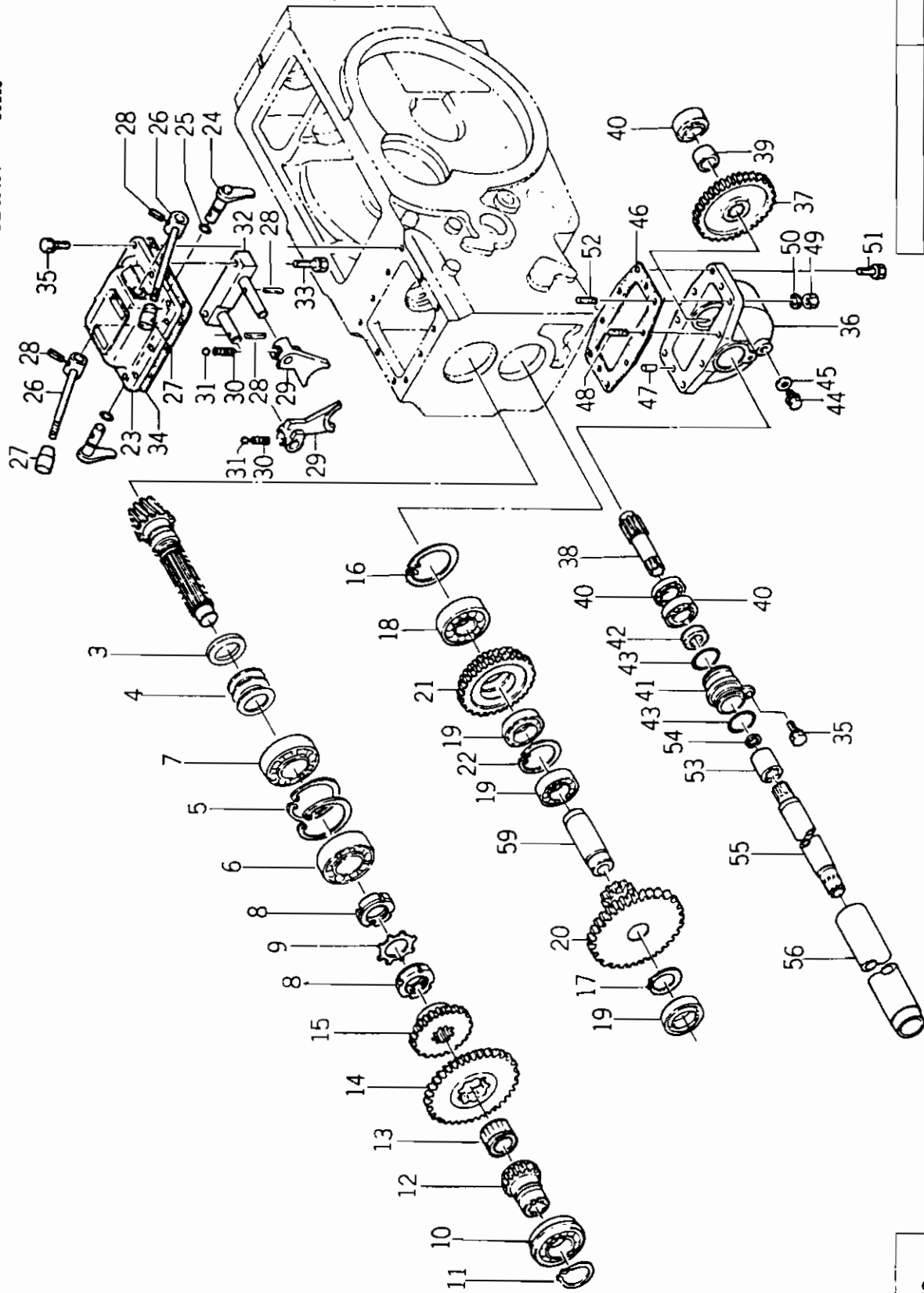
BINDER NO.
ISP3002



TRANSMISSION GEARS; 4WD & CREEP SPEED

42.

SD5040T ~ 50000



BINDER NO.
ISP3002

(1 - 175)

SUPPLEMENT NO.



42. TRANSMISSION GEARS;
4WD & CREEP SPEED

管理コード

SD5040T ~50000

REF.NO	CODE NO.	PART	NAME	Q'ty										REMARKS	
				S	D	S	D	S	D	S	D	S	D		
3	19926 0070	THRUST WASHER													
4	19928 0600	SHIM; 0.1		1											
4	19928 0610	SHIM; 0.2		A/R											
4	19928 0620	SHIM; 0.3		A/R											
5	03650 0085	SNAP RING		2											
6	04253 0209	TAPER BEARING		1											
7	04253 2209	TAPER BEARING		1											
8	02270 0400	LOCK NUT		2											
9	02810 0400	LOCK WASHER		1											
10	04015 6210	BEARING		1											
11	03610 0050	SNAP RING		1											
12	32232 0550	FIXING GEAR A		1											
13	04222 0530	NEEDLE BEARING		1											
14	32234 0261	SLIDE GEAR A		1											
15	32234 0830	SLIDE GEAR A		1											
16	03650 0080	SNAP RING		1											
17	03610 0035	SNAP RING		1											
18	04010 6307	BEARING		1											
19	04010 6007	BEARING		3											
20	32238 0170	COUNTER GEAR B		1											
21	32238 0560	COUNTER GEAR B		1											
22	03650 0062	SNAP RING		1											
23	32471 0340	CHANG LEVER CASE		1											
24	32420 0130	SHIFT ARM		2											
25	05210 0110	O-RING		2											
26	32410 0650	CHANGE LEVER		2											
27	49818 0100	GRIP		2											
28	03030 0625	SPRING PIN		4											
29	32441 0342	SHIFTER HORK		2											
30	39821 0460	SPRING		2											

BINDER NO.

ISP3002

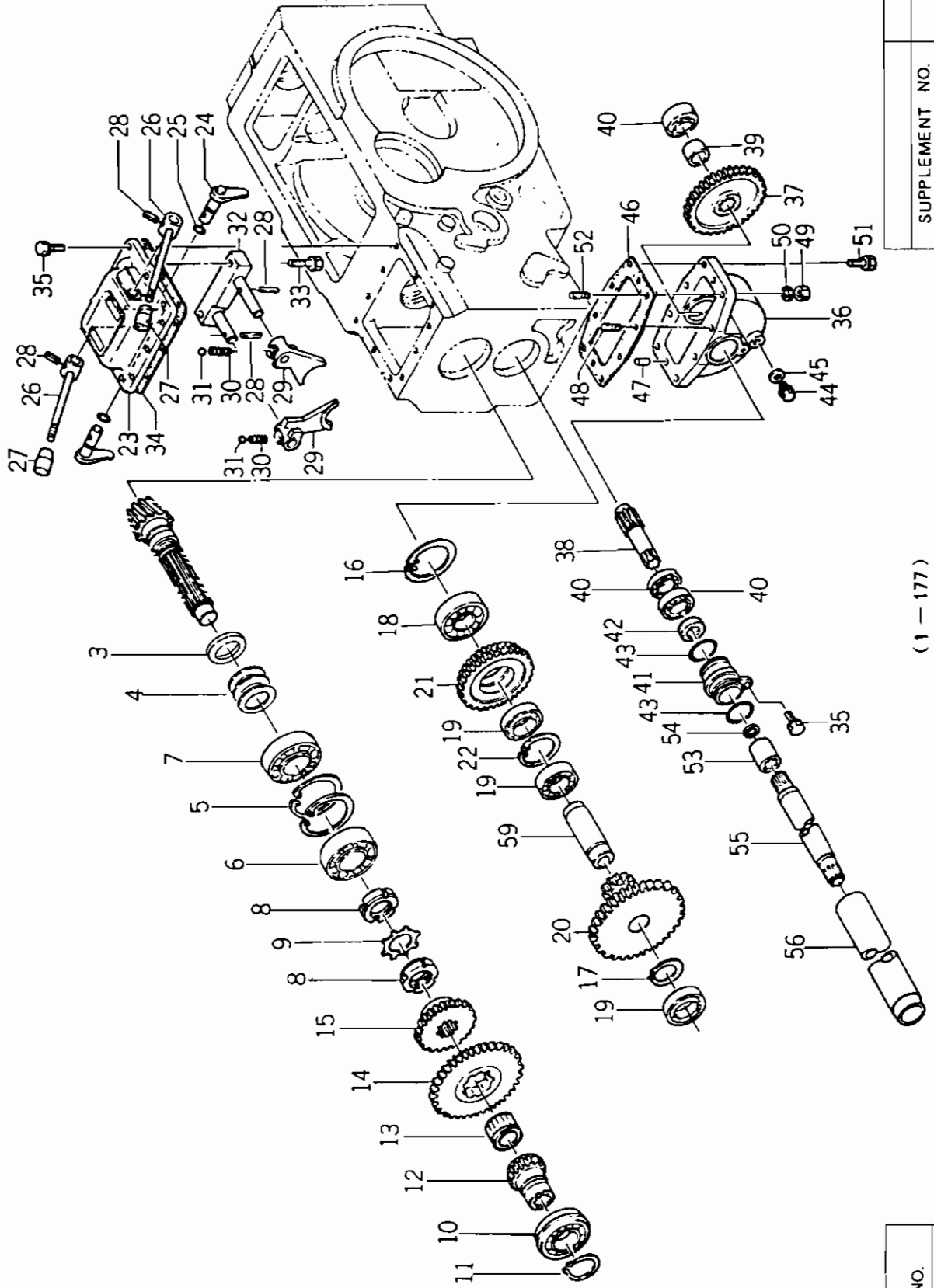
(1 - 176)

SUPPLEMENT NO.



42. TRANSMISSION GEARS;
4WD & CREEP SPEED

SD5040T ~ 50000



BINDER NO.
ISP3002

SUPPLEMENT NO.



42. TRANSMISSION GEARS;
4WD & CREEP SPEED

管理コード

SD5040T ~50000

REF.NO.	CODE NO.	PART	NAME	Qty										REMARKS		
				S	D	S	D	S	D	S	D	S	D			
31	04810 0011	STEEL BALL														
32	32430 0220	SHIFTER ROD		2												
33	01131 1040	BOLT		1												
34	32499 0090	GASKET		2												
35	01130 0820	BOLT		1												
				12												
36	32211 1120	MISSION CASE		1												
37	32232 0561	FIXING GEAR		1												
38	32251 0220	DRIVE SHAFT		1												
39	39923 0520	COLLAR		1												
40	04010 6005	BEARING		3												
41	32019 0220	HOLDER		1												
42	05020 3125	OIL SEAL		1												
43	05230 0400	O-RING		2												
44	06470 0012	PLUG		1												
44	01020 1212	BOLT		1												
45	02510 0012	SEAL WASHER		1												
46	32299 0350	GASKET		1												
47	03050 1025	DOWEL PIN		2												
48	01211 1070	STUD BOLT		4												
49	02020 0010	NUT		5												
50	02710 0010	SPRING WASHER		5												
51	01131 1030	BOLT		3												
52	01211 1030	STUD BOLT		1												
53	32261 0070	COUPLING		1												
54	03650 0022	SNAP RING		1												
55	32250 0440	SHAFT COMPL		1												
56	32017 0310	PIPE		1												
59	32253 0220	COUNTER SHAFT		1												

TIME OF SUPPLY 1985, 2

BINDER NO.
1SP3002

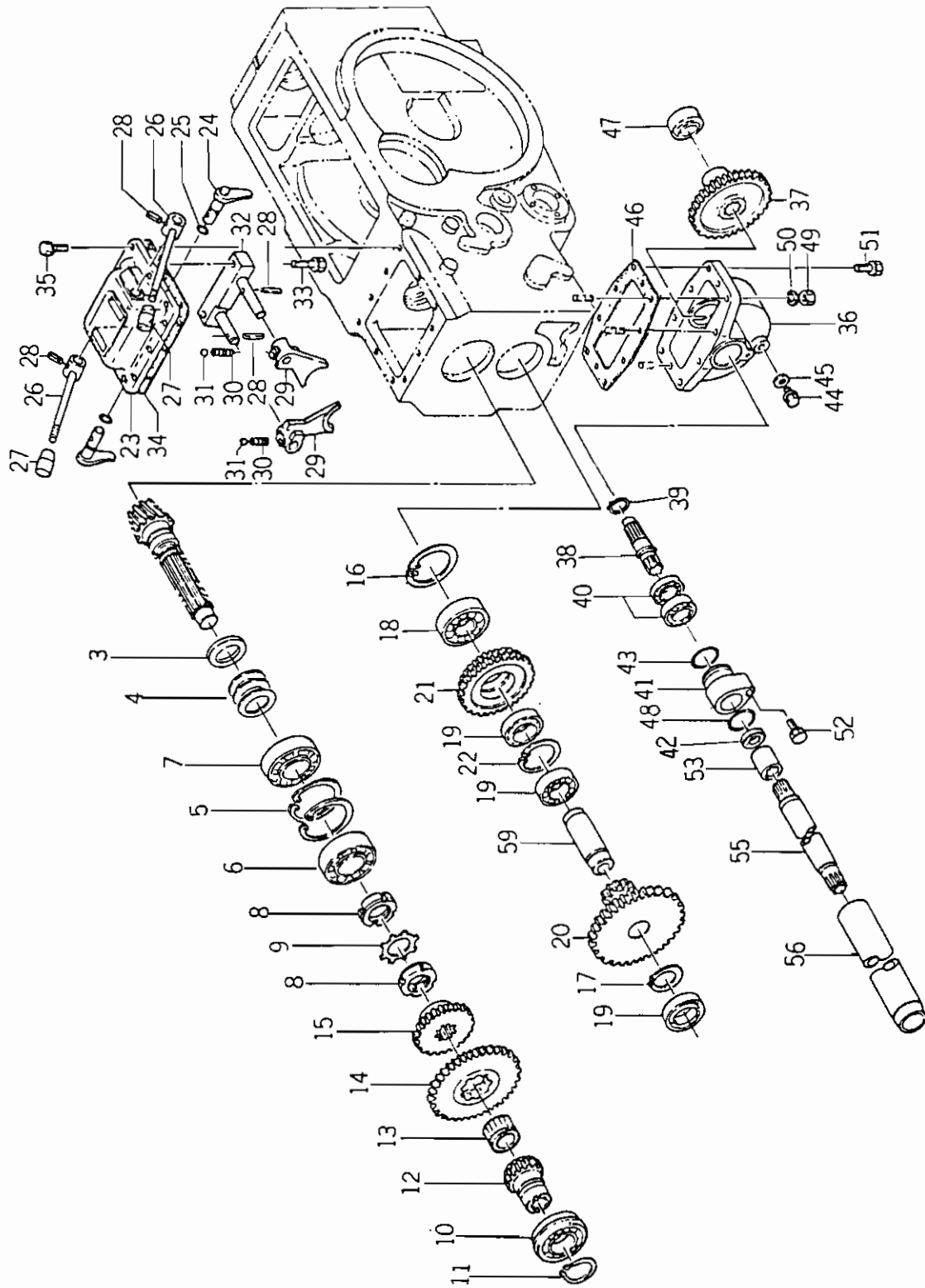
(1 - 178)

SUPPLEMENT NO.



TRANSMISSION GEARS; 42A. 4WD & CREEP SPEED

SD5040T 50001 ~



BINDER NO.
ISP3002

(1 - 179)

SUPPLEMENT NO.



TRANSMISSION GEARS;
42A. 4WD & CREEP SPEED

管理コード

SD5040T 50001~

REF.NO.	CODE NO.	PART	NAME	Qty										REMARKS	
				S	D	S	D	S	D	S	D	S	D		
3	19926 0070	THRUST WASHER													
4	19928 0600	SHIM; 0.1													
4	19928 0610	SHIM; 0.2													
4	19928 0620	SHIM; 0.3													
5	03650 0085	SNAP RING													
6	04253 0209	TAPER BEARING													
7	04253 2209	TAPER BEARING													
8	02270 0400	LOCK NUT													
9	02810 0400	LOCK WASHER													
10	04015 6210	BEARING													
11	03610 0050	SNAP RING													
12	32232 0550	FIXING GEAR A													
13	04222 0530	NEEDLE BEARING													
14	32234 1170	SLIDE GEAR A													
15	32234 1160	SLIDE GEAR A													
16	03650 0080	SNAP RING													
17	03610 0035	SNAP RING													
18	04010 6307	BEARING													
19	04010 6007	BEARING													
20	32238 0170	COUNTER GEAR B													
21	32238 0990	COUNTER GEAR B													
22	03650 0062	SNAP RING													
23	32471 0340	CHANG LEVER CASE													
24	32420 0130	SHIFT ARM													
25	05210 0110	O-RING													
26	32410 0650	CHANGE LEVER													
27	49818 0100	GRIP													
28	03030 0625	SPRING PIN													
29	32441 0342	SHIFTER HORK													
30	39821 0460	SPRING													

BINDER NO.
I SP 3 0 0 2

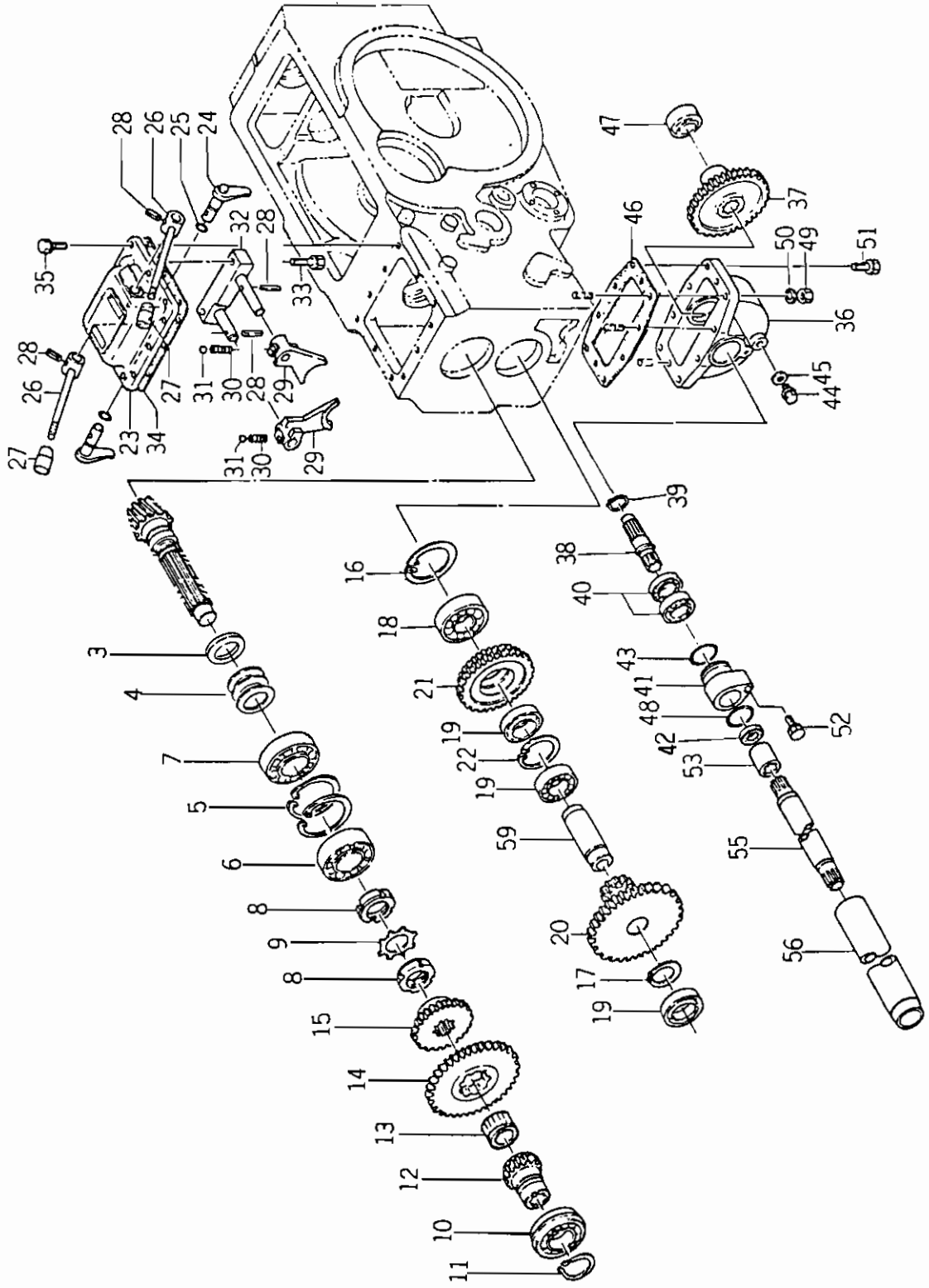
(1 - 180)

SUPPLEMENT NO.



TRANSMISSION GEARS;
42A. 4WD & CREEP SPEED

SD5040T 50001 ~



BINDER NO.
ISP3 0 2

SUPPLEMENT NO.



TRANSMISSION GEARS;
42A. 4WD & CREEP SPEED

管理コード

SD5040T 50001~

REFNO.	CODE NO.	PART	NAME	Qty										REMARKS			
				S D 4300	S D 4340	S D 4500	S D 4540	S D 5000T	S D 5040T	Min.Qty							
31	04810 0011	STEE BALL				2											
32	32430 0470	SHAFTER ROD				1											
33	01131 1040	BOLT				2											
34	32499 0090	GASKET				1										(a)	
34	32499 0091	GASKET				1										(b)	(c)
34	32499 0230	GASKET				1										(d)	
35	01130 0820	BOLT				11											
36	32211 1120	MISSION CASE				1											
37	32232 2810	FIXING GEAR				1											
38	32251 1570	DRIVE SHAFT				1											
39	03610 0025	SNAP RING				1											
40	04010 6005	BEARING				2											
41	32019 0260	HOLDER				1											
42	05020 3130	OIL SEAL				1											
43	05230 0400	O-RING				1											
44	01020 1212	BOLT				1											
45	02510 0012	SEAL WASHER				1											
48	32299 0350	GASKET				1										(a)	
46	32299 0351	GASKET				1										(b)	
47	04010 6204	BEARING				1											
48	05230 0450	O-RING				1											
49	02020 0010	NUT				5											
50	02710 0010	SPRING WASHER				5											
51	01131 1030	BOLT				3											
52	01130 0835	BOLT				1											
53	32261 0250	COUPLING				1											
55	32251 1560	SHAFT				1											
56	32017 0540	PIPE				1											
59	32253 0220	COUNTER SHAFT				1											

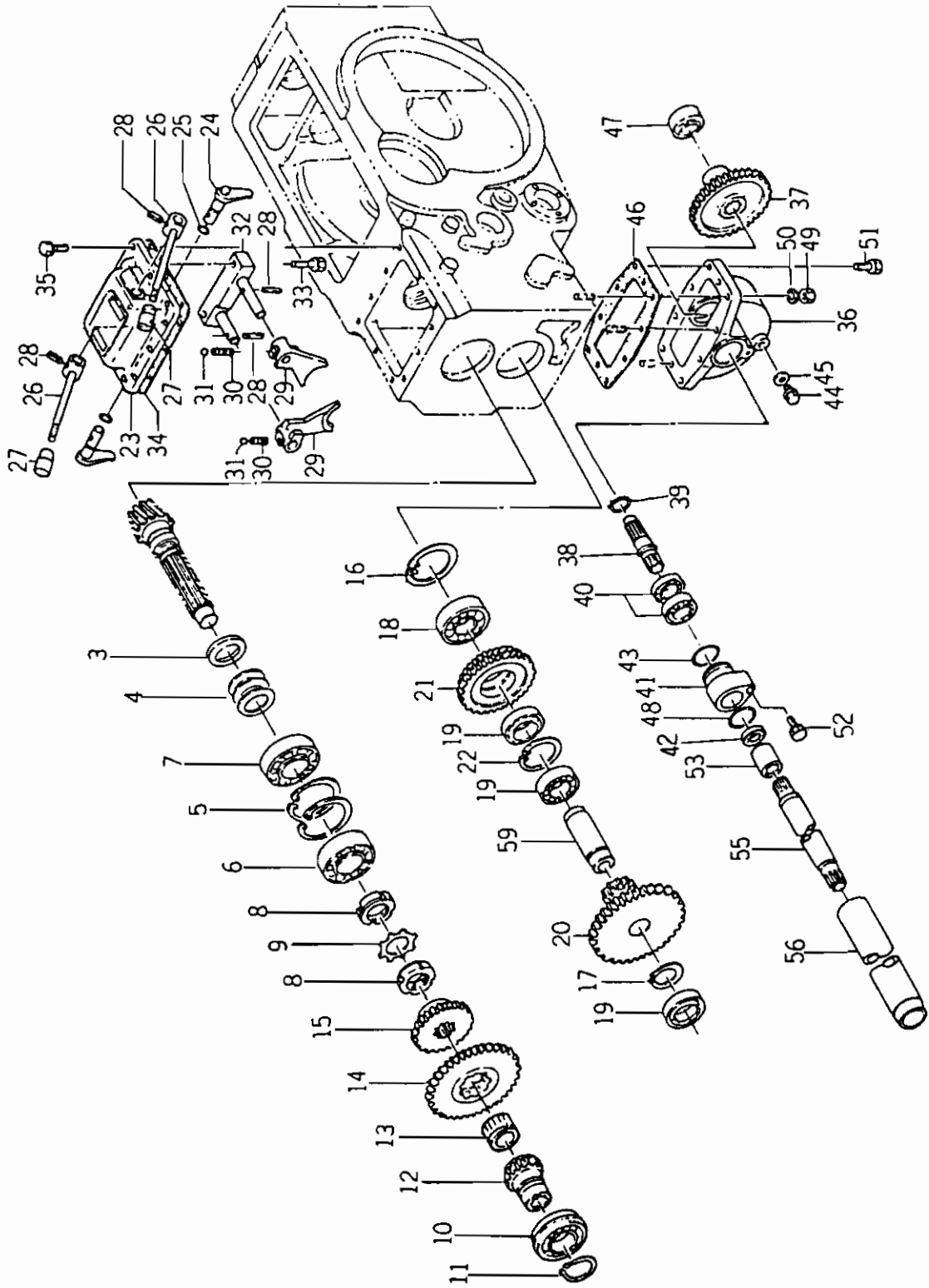
BINDER NO.
ISP3002

SUPPLEMENT NO.



TRANSMISSION GEARS;
42A. 4WD & CREEP SPEED

SD5040T 50001~

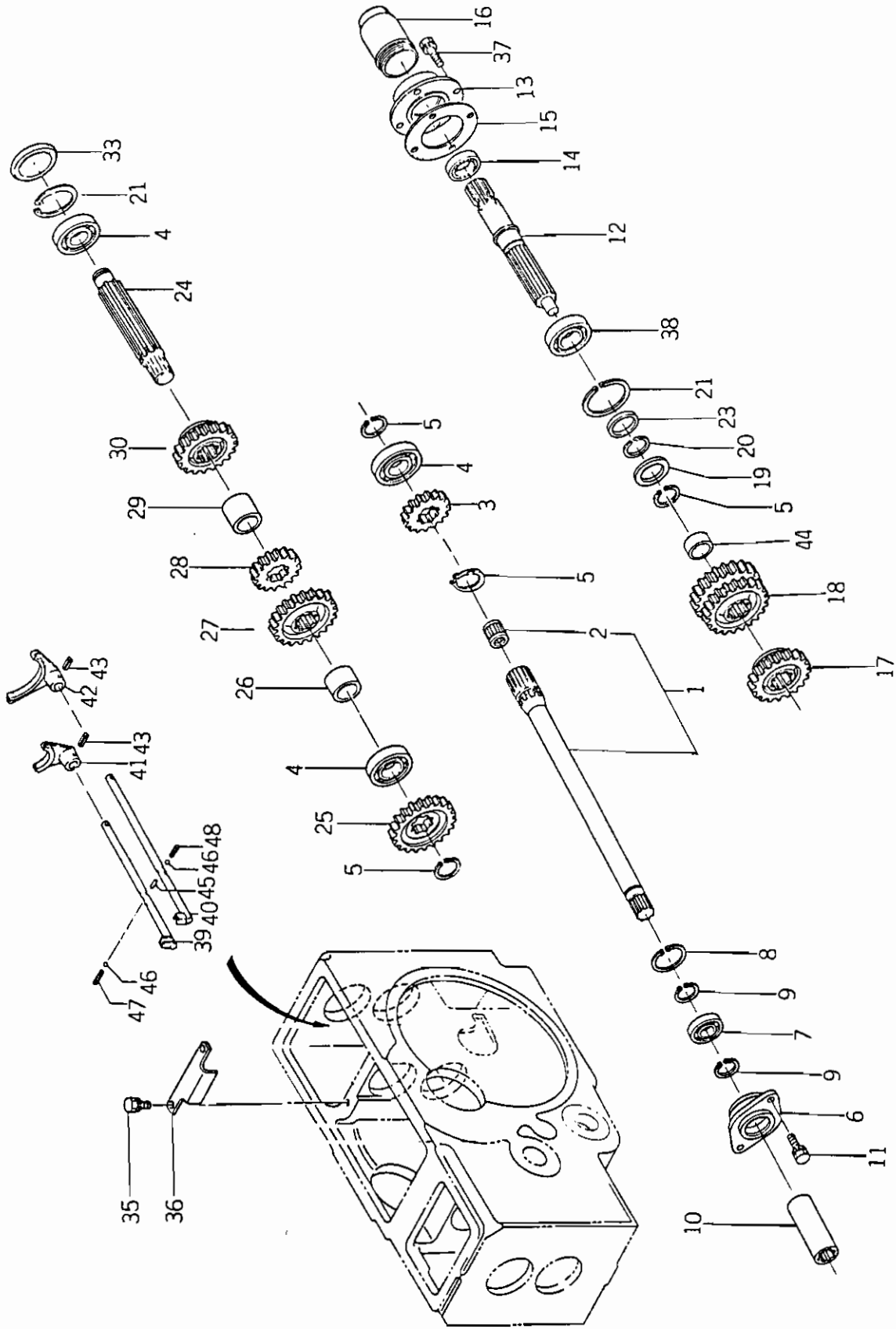


BINDER NO. ISP3002

SUPPLEMENT NO.	No. 6 - FEBRUARY, 1986
----------------	------------------------



43. TRANSMISSION; P.T.O.



BINDER NO.
ISP3002

SUPPLEMENT NO.



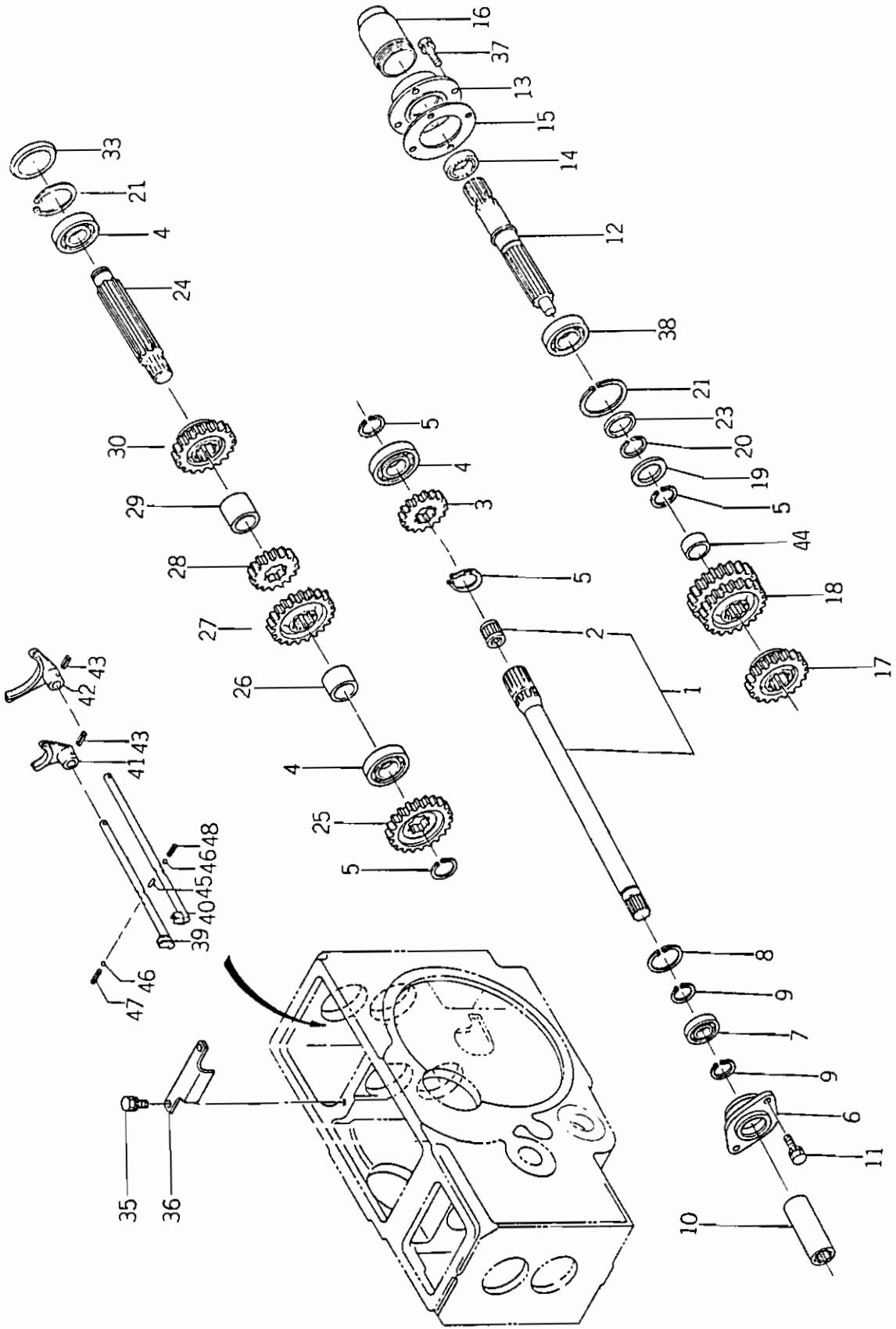
43. TRANSMISSION; P.T.O.

管理コード

REF.NO	CODE NO.	PART	NAME	Qty												REMARKS
				S	D	S	D	S	D	S	D	S	D	S	D	
1	32250 0230	SHAFT COMPL		1	1	1	1	1	1	1	1	1	1	1	1	
2	04230 1825	NEEDLE BEARING		1	1	1	1	1	1	1	1	1	1	1	1	
3	32232 2030	FIXING GEAR A		1	1	1	1	1	1	1	1	1	1	1	1	
3	32232 0480	FIXING GEAR A		1	1	1	1	1	1	1	1	1	1	1	1	
4	04010 6307	BEARING		3	3	3	3	3	3	3	3	3	3	3	3	
5	03610 0035	SNAP RING		4	4	4	4	4	4	4	4	4	4	4	4	
6	32226 0120	BEARING HOLDER		1	1	1	1	1	1	1	1	1	1	1	1	
7	04010 6005	BEARING		1	1	1	1	1	1	1	1	1	1	1	1	
8	03650 0047	SNAP RING		1	1	1	1	1	1	1	1	1	1	1	1	
9	03610 0025	SNAP RING		2	2	2	2	2	2	2	2	2	2	2	2	
10	32261 0070	COUNPLING		1	1	1	1	1	1	1	1	1	1	1	1	
11	01131 1025	BOLT		2	2	2	2	2	2	2	2	2	2	2	2	
12	32259 0073	P.T.O SHAFT		1	1	1	1	1	1	1	1	1	1	1	1	
13	32214 0540	SEAL COVER		1	1	1	1	1	1	1	1	1	1	1	1	
14	05020 2335	OIL SEAL		1	1	1	1	1	1	1	1	1	1	1	1	
15	32299 0340	GASKET		1	1	1	1	1	1	1	1	1	1	1	1	(d)
15	32299 0341	GASKET		1	1	1	1	1	1	1	1	1	1	1	1	(e)
16	37811 0020	GUARD		1	1	1	1	1	1	1	1	1	1	1	1	P.T.O3-4
17	32234 0251	SLIDE GEAR A		1	1	1	1	1	1	1	1	1	1	1	1	P.T.O1-2
18	32236 0260	SLIDE GEAR B		1	1	1	1	1	1	1	1	1	1	1	1	
19	39921 0620	SPACER		1	1	1	1	1	1	1	1	1	1	1	1	
20	03630 0035	SNAP RING		1	1	1	1	1	1	1	1	1	1	1	1	
21	03650 0080	SNAP RING		2	2	2	2	2	2	2	2	2	2	2	2	
23	39926 0090	THRUST WASHER		1	1	1	1	1	1	1	1	1	1	1	1	
24	32257 0080	P.T.O COUNTER SHAFT		1	1	1	1	1	1	1	1	1	1	1	1	
25	32232 2040	FIXING GEAR A		1	1	1	1	1	1	1	1	1	1	1	1	
25	32232 0490	FIXING GEAR A		1	1	1	1	1	1	1	1	1	1	1	1	
26	39923 0480	COLLAR		1	1	1	1	1	1	1	1	1	1	1	1	
27	32232 0460	FIXING GEAR A		1	1	1	1	1	1	1	1	1	1	1	1	P.T.O 4
28	32232 0450	FIXING GEAR A		1	1	1	1	1	1	1	1	1	1	1	1	(a)P.T.O 1



43. TRANSMISSION; P.T.O.



BINDER NO.
ISP3002

(1 - 185)

SUPPLEMENT NO.

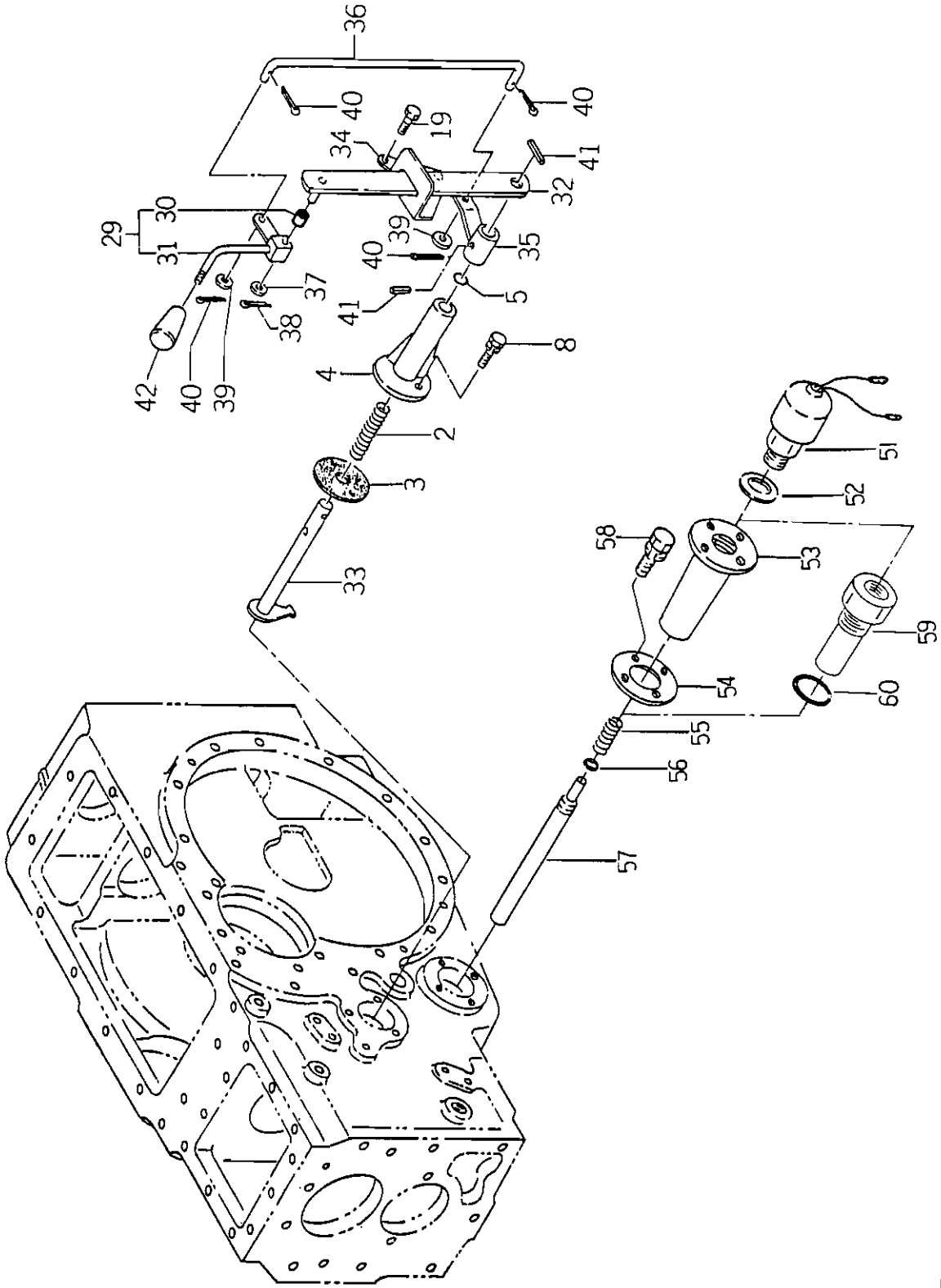


43. TRANSMISSION; P.T.O.

管理コード

REFNO.	CODE NO.	PART	NAME	Qty												Min.Qty	REMARKS
				SD 4300	SD 4340	SD 4500	SD 4540	SD 5000T	SD 5040T	SD 4300	SD 4340	SD 4500	SD 4540	SD 5000T	SD 5040T		
28	32232 0451	FIXING GEAR A		1	1	1	1	1	1	1	1	1	1	1		(b) P.T.O 1 Feb., 1985	
29	39923 0490	COLLAR		1	1	1	1	1	1	1	1	1	1	1		P.T.O 2	
30	32232 0470	FIXING GEAR A		1	1	1	1	1	1	1	1	1	1	1			
33	32220 0140	CASE COVER		1	1	1	1	1	1	1	1	1	1	1			
35	01131 0816	BOLT		2	2	2	2	2	2	2	2	2	2	2			
36	32228 0060	BEARING SUPPORT		1	1	1	1	1	1	1	1	1	1	1			
37	01130 0820	BOLT		4	4	4	4	4	4	4	4	4	4	4			
38	04010 9025	BEARING		1	1	1	1	1	1	1	1	1	1	1			
39	32430 0182	SHAFTER ROD		1	1	1	1	1	1	1	1	1	1	1		P.T.O 3-4	
40	32430 0172	SHAFTER ROD		1	1	1	1	1	1	1	1	1	1	1		P.T.O 1-2	
41	32441 0331	SHAFTER FORK		1	1	1	1	1	1	1	1	1	1	1		(a) Φ	
42	32441 0301	SHAFTER FORK		1	1	1	1	1	1	1	1	1	1	1		(b) Φ	
42	32441 0302	SHAFTER FORK		1	1	1	1	1	1	1	1	1	1	1		(c)	
43	03030 0625	SPRING PIN		2	2	2	2	2	2	2	2	2	2	2			
44	39923 2400	COLLAR		1	1	1	1	1	1	1	1	1	1	1			
45	32456 0040	BALK PIN		1	1	1	1	1	1	1	1	1	1	1			
46	04810 0011	STEEL BALL		2	2	2	2	2	2	2	2	2	2	2			
47	39821 0460	SPRING		1	1	1	1	1	1	1	1	1	1	1			
48	39821 0600	SPRING		1	1	1	1	1	1	1	1	1	1	1			
				{ SD4300 ~15221		{ SD4300		15222~		{ SD4300		15185~					
				{ SD4340 ~16765		{ SD4340		16766~		{ SD4340		15470~					
				{ SD5000T ~15221		{ SD5000T		15222~		{ SD5000T		15193~					
				{ SD5040T ~16765		{ SD5040T		16766~		{ SD5040T		15480~					
				{ SD4500 ~10037		{ SD4500		10038~		{ SD4500		10038~					
				{ SD4540 ~10037		{ SD4540		10038~		{ SD4540		50166~					
				{ SD5000T ~50165		{ SD5000T		50166~		{ SD5000T		50190~					
				{ SD5040T ~50189		{ SD5040T		50190~		{ SD5040T							

44. DIFF LOCK SWITCH
P.T.O SHIFT



BINDER NO.
ISP3002

(1 - 187)

SUPPLEMENT NO.	No. 6 - FEBRUARY, 1986
----------------	------------------------





44. DIFF LOCK SWITCH
P.T.O SHIFT

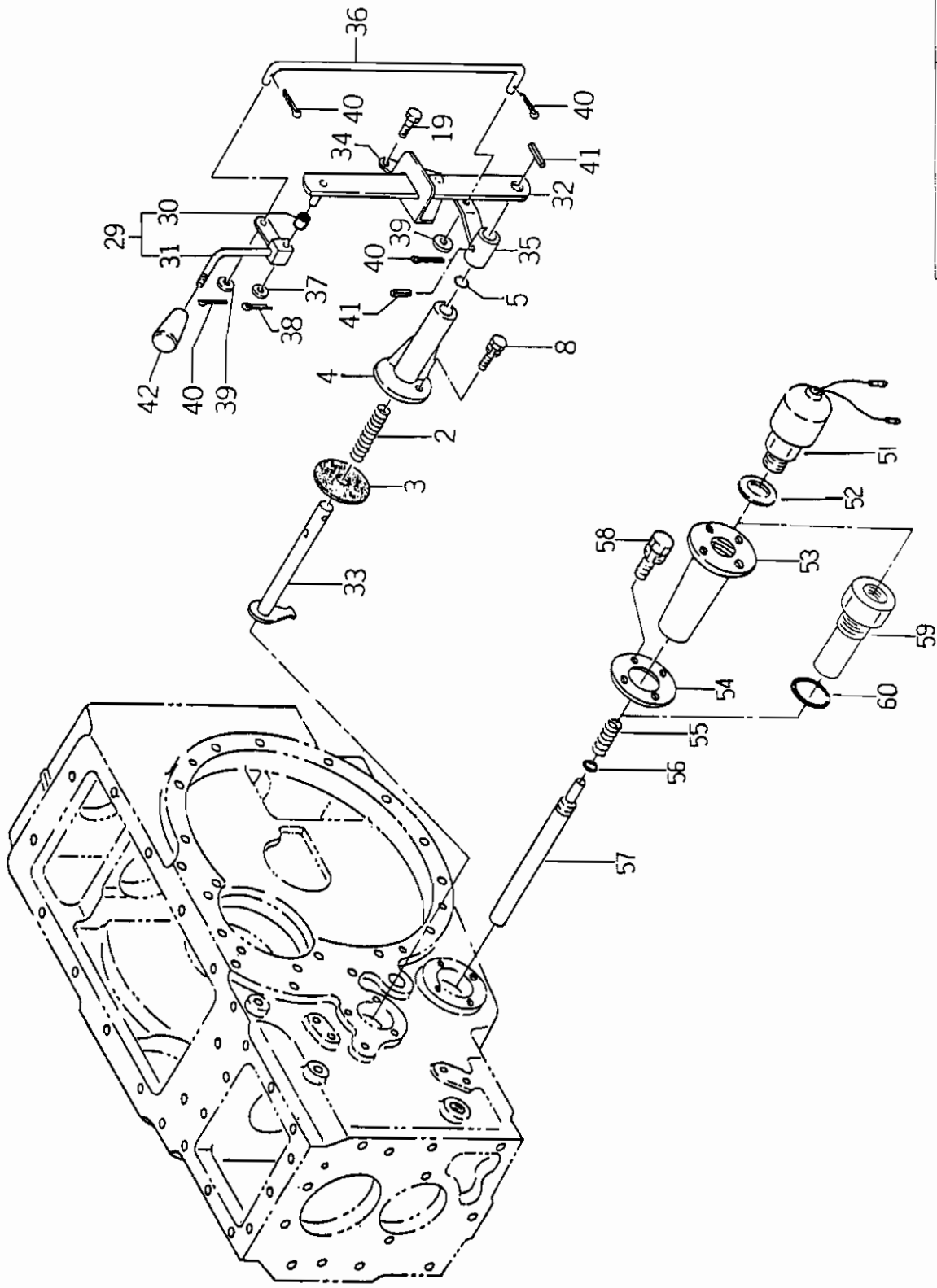
管理コード

REFNO.	CODE NO.	PART	NAME	Qty												REMARKS
				S	D	S	D	S	D	S	D	S	D	S	D	
2	39821 1850	SPRING		1	1	1	1	1	1	1	1	1	1	1	1	(c)
3	32499 0080	GASKET		1	1	1	1	1	1	1	1	1	1	1	1	(d)
3	32499 0081	GASKET		1	1	1	1	1	1	1	1	1	1	1	1	
4	32460 0081	COVER		1	1	1	1	1	1	1	1	1	1	1	1	
5	05210 0180	O-RING		1	1	1	1	1	1	1	1	1	1	1	1	
8	01130 0820	BOLT		3	3	3	3	3	3	3	3	3	3	3	3	
19	01131 0825	BOLT		2	2	2	2	2	2	2	2	2	2	2	2	
29	32402 0170	LEVER ASS'Y		1	1	1	1	1	1	1	1	1	1	1	1	
30	39851 1520	BUSH		1	1	1	1	1	1	1	1	1	1	1	1	(f)
31	32410 0680	CHANGE LEVER		1	1	1	1	1	1	1	1	1	1	1	1	(f)
31	32410 0680	CHANGE LEVER		1	1	1	1	1	1	1	1	1	1	1	1	(e)
32	32435 0010	SHIFT LINK		1	1	1	1	1	1	1	1	1	1	1	1	(e)
32	32435 0011	SHIFT LINK		1	1	1	1	1	1	1	1	1	1	1	1	(f)
33	32420 0340	SHIFT ARM		1	1	1	1	1	1	1	1	1	1	1	1	
34	32451 0220	SHIFT GUIDE		1	1	1	1	1	1	1	1	1	1	1	1	
35	32420 0330	SHIFT ARM		1	1	1	1	1	1	1	1	1	1	1	1	
36	32436 0010	SHIFT LINK		1	1	1	1	1	1	1	1	1	1	1	1	
37	02610 0008	WASHER		1	1	1	1	1	1	1	1	1	1	1	1	
38	03010 2015	SPLIT PIN		1	1	1	1	1	1	1	1	1	1	1	1	
39	02610 0010	WASHER		2	2	2	2	2	2	2	2	2	2	2	2	
40	03010 3020	SPLIT PIN		4	4	4	4	4	4	4	4	4	4	4	4	
41	03030 0832	SPRING PIN		2	2	2	2	2	2	2	2	2	2	2	2	
42	49818 0100	GRIP		1	1	1	1	1	1	1	1	1	1	1	1	
51	38520 0250	SWITCH		1	1	1	1	1	1	1	1	1	1	1	1	
52	02510 0014	SEAL WASHER		1	1	1	1	1	1	1	1	1	1	1	1	
53	32461 0350	COVER		1	1	1	1	1	1	1	1	1	1	1	1	(b)
54	32499 0070	GASKET		1	1	1	1	1	1	1	1	1	1	1	1	(c)
54	32499 0071	GASKET		1	1	1	1	1	1	1	1	1	1	1	1	(d)
55	39821 1182	SPRING		1	1	1	1	1	1	1	1	1	1	1	1	
56	05210 0070	O-RING		1	1	1	1	1	1	1	1	1	1	1	1	





44. DIFF LOCK SWITCH
P.T.O. SHIFT



(1 - 189)

SUPPLEMENT NO.	No. 6 - FEBRUARY, 1986
----------------	------------------------

BINDER NO.	1 SP 3 0 0 2
------------	--------------



44. DIFF LOCK SWITCH
P.T.O SHIFT

管理コード

REF.NO.	CODE NO.	PART	NAME	Qty												Min.Qty	REMARKS
				S	D	S	D	S	D	S	D	S	D	S	D		
57	32662 0121	PIN		4300	4340	4500	4540	5000T	5040T	1	1	1	1	1	1		
58	01130 0825	BOLT		4	4	4	4	4	4	4	4	4	4	4	4		(b)
59	39843 0410	PLUG		1	1	1	1	1	1	1	1	1	1	1	1		(a)
60	05230 0250	O-RING		1	1	1	1	1	1	1	1	1	1	1	1		(a)
	(a) SD4300	~15211	SD4500 ~10037	SD4500	SD4540	SD5000T	SD5040T	SD4500	SD4540	SD5000T	SD5040T	SD4500	SD4540	SD5000T	SD5040T	~10038	SD4500 10039~
	SD4340	~16460	SD4540 ~10037	SD4540	SD5000T	SD5040T		SD4540	SD5000T		SD4540	SD5000T			~10038	SD4540 10039~	
	SD5000T	~15211	SD5000T ~50165	SD5000T	SD5040T			SD5000T			SD5000T				~50344	SD5000T 50345~	
	SD5040T	~16450	SD5040T ~50189	SD5040T				SD5040T			SD5040T				~50344	SD5040T 50345~	

BINDER NO.
ISP3002

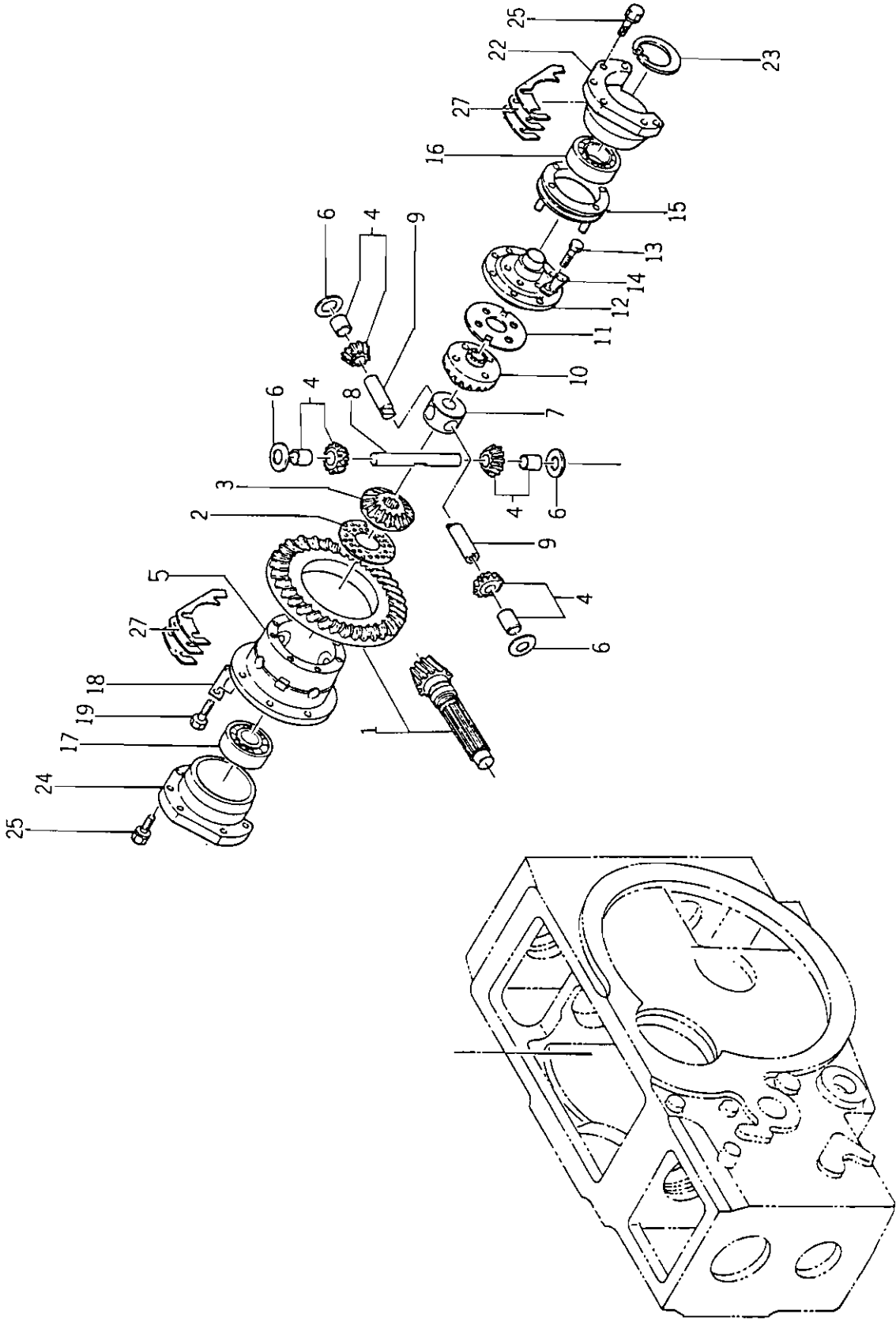
(1 - 190)

SUPPLEMENT NO.

No 6 - FEBRUARY, 1986



45. DIFFERENTIAL



BINDER NO.
ISP3002

SUPPLEMENT NO.



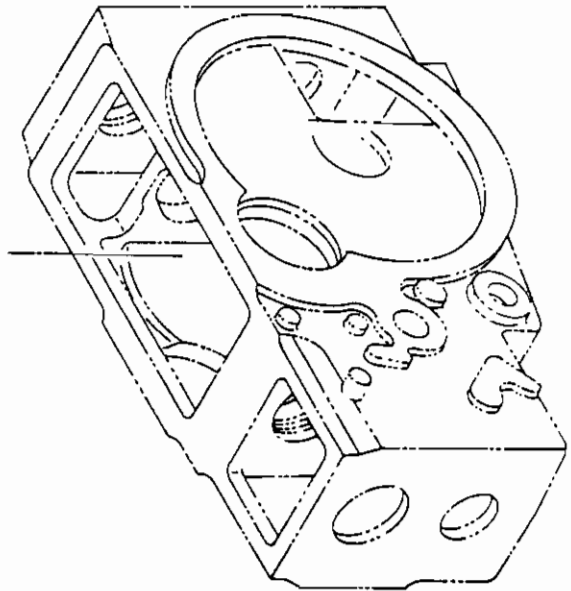
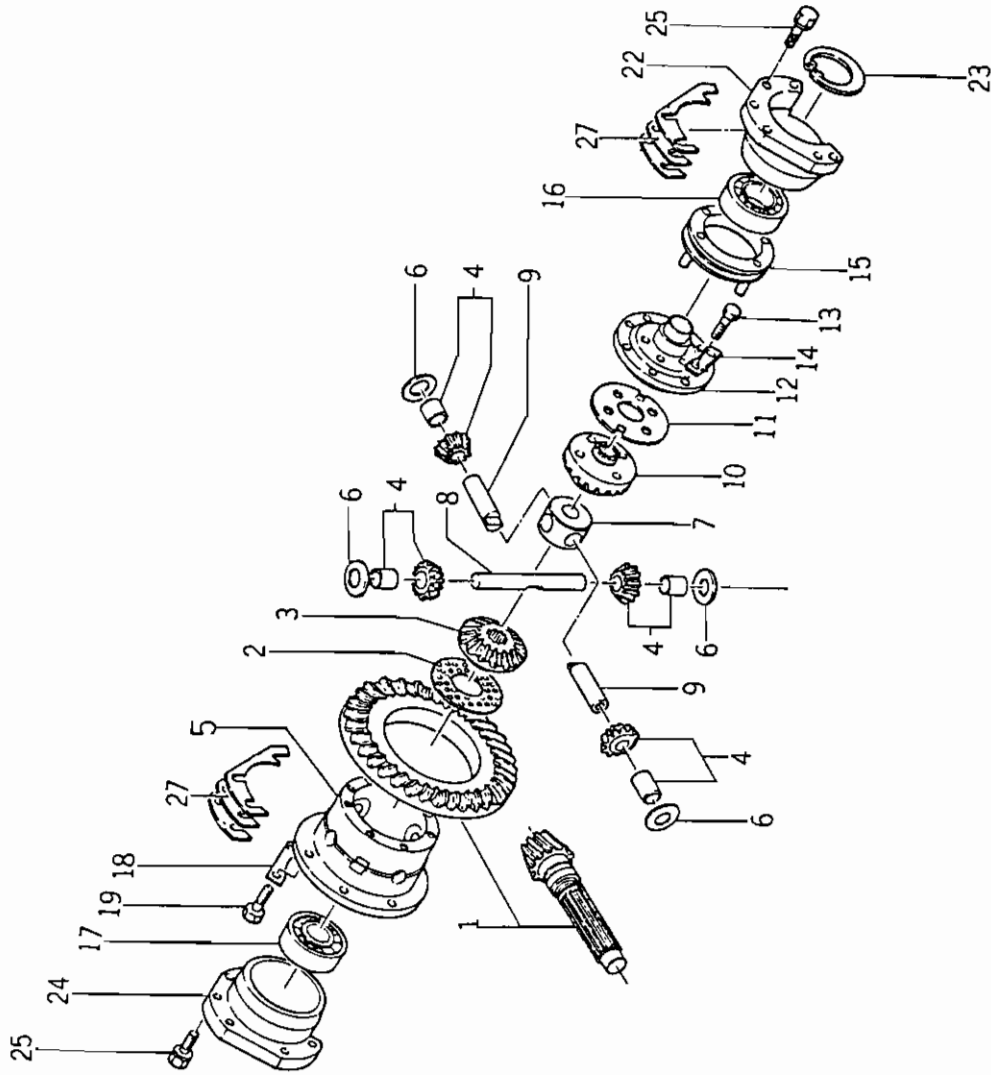
45. DIFFERENTIAL

管理コード

REF.NO.	CODE NO.	PART	NAME	Qty												Min. Qty	REMARKS
				S	D	S	D	S	D	S	D	S	D	S	D		
1	32205 0120	DRIVE PINION ASS'Y		1		1		1		1		1		1			(c)
1	32205 0470	DRIVE PINION ASS'Y		1		1		1		1		1		1			(d)
2	39926 0100	THRUST WASHER		1		1		1		1		1		1			
3	32614 0090	DIFF GEAR; R.H		1		1		1		1		1		1			
4	32203 0020	GEAR ASS'Y		4	4	4	4	4	4	4	4	4	4	4	4		
5	32611 0140	DIFF HOUSING		1		1		1		1		1		1			(c)
5	32611 0580	DIFF HOUSING		1		1		1		1		1		1			(d)
6	39926 0110	THRUST WASHER		4	4	4	4	4	4	4	4	4	4	4	4		
7	32617 0020	JOINT		1	1	1	1	1	1	1	1	1	1	1	1		
8	32613 0111	PINION SHAFT		1	1	1	1	1	1	1	1	1	1	1	1		
9	32613 0101	PINION SHAFT		2	2	2	2	2	2	2	2	2	2	2	2		
10	32614 0100	DIFF GEAR; L.H		1	1	1	1	1	1	1	1	1	1	1	1		(a)
10	32614 0101	DIFF GEAR; L.H		1	1	1	1	1	1	1	1	1	1	1	1		(b)
11	39926 0400	THRUST WASHER		1	1	1	1	1	1	1	1	1	1	1	1		
12	32611 0150	DIFF HOUSING		1	1	1	1	1	1	1	1	1	1	1	1		
13	01011 0820	BOLT		8	8	8	8	8	8	8	8	8	8	8	8		
14	39931 0030	LOCK WASHER		4	4	4	4	4	4	4	4	4	4	4	4		
15	32660 0041	DIFF LOCK CLUTCH		1	1	1	1	1	1	1	1	1	1	1	1		
15	32660 0042	DIFF LOCK CLUTCH		1	1	1	1	1	1	1	1	1	1	1	1		(e)
16	04010 6209	BEARING		1	1	1	1	1	1	1	1	1	1	1	1		(f)
17	04010 6211	BEARING		1	1	1	1	1	1	1	1	1	1	1	1		
18	39931 0060	LOCK WASHER		4	4	4	4	4	4	4	4	4	4	4	4		(c)
18	39931 0310	LOCK WASHER		6	6	6	6	6	6	6	6	6	6	6	6		(d)
19	01011 1025	BOLT		8	8	8	8	8	8	8	8	8	8	8	8		(c)
19	01011 1025	BOLT		12	12	12	12	12	12	12	12	12	12	12	12		(d)
22	32622 0070	BEARING CARRIER; L.H		1	1	1	1	1	1	1	1	1	1	1	1		
23	03650 0090	SNAP RING		1	1	1	1	1	1	1	1	1	1	1	1		
24	32622 0080	BEARING CARRIER; R.H		1	1	1	1	1	1	1	1	1	1	1	1		
25	01131 1030	BOLT		12	12	12	12	12	12	12	12	12	12	12	12		
27	39928 0590	SHIM; 0.1		A/R	A/R	A/R	A/R	A/R	A/R	A/R	A/R	A/R	A/R	A/R	A/R		



45. DIFFERENTIAL



BINDER NO.
ISP3002

SUPPLEMENT NO.

(1 — 193)



45. DIFFERENTIAL

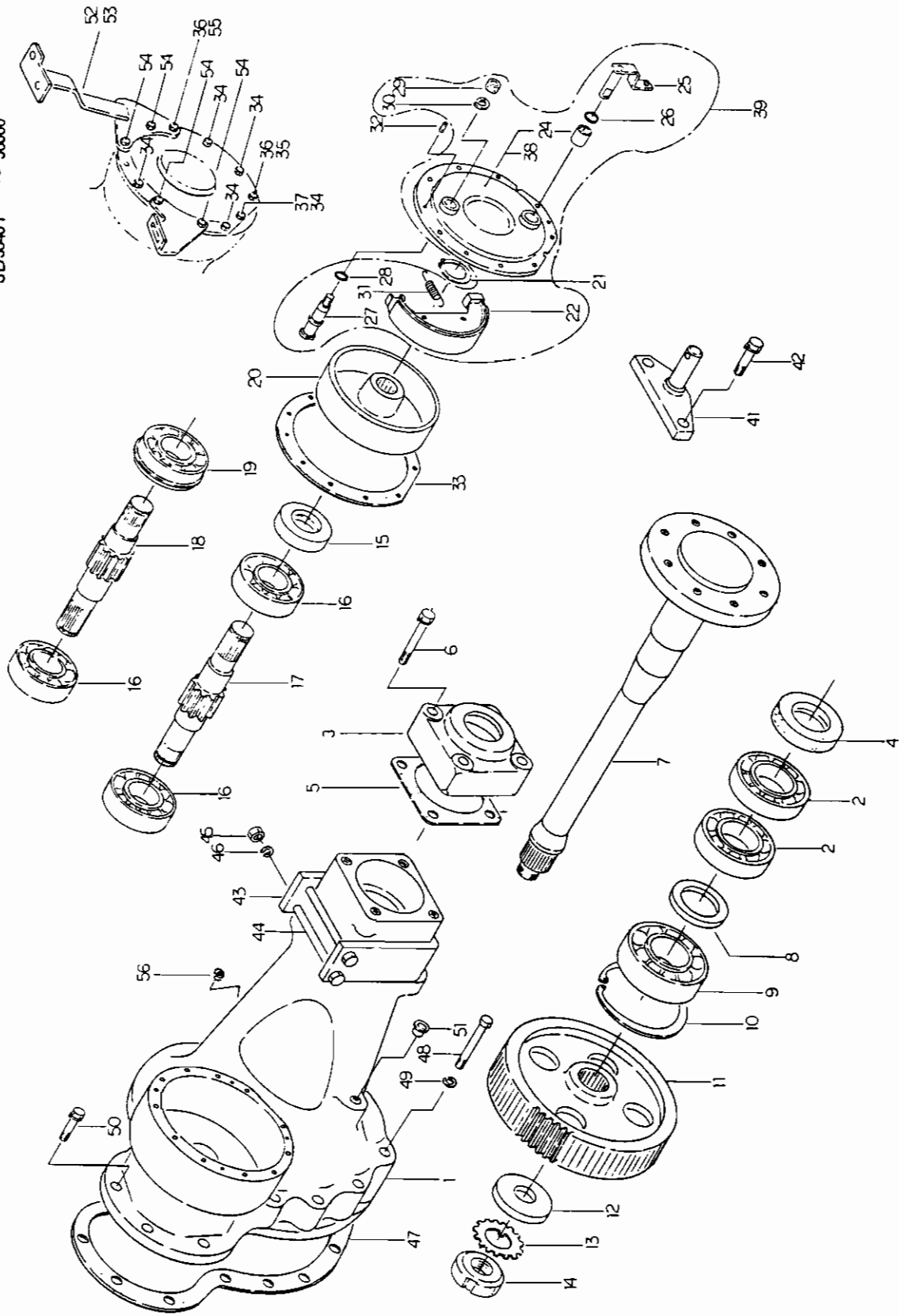
管理コード

REF.NO.	CODE NO.	PART	NAME	Qty												Min.Qty	REMARKS	
				S	D	S	D	S	D	S	D	S	D	S	D			
27	39928 0600	SHIM; 0.3		A/R	A/R	A/R	A/R	A/R	A/R	A/R	A/R	A/R	A/R	A/R	A/R			
27	39928 0610	SHIM; 0.5		A/R	A/R	A/R	A/R	A/R	A/R	A/R	A/R	A/R	A/R	A/R	A/R			
27	39928 0700	SHIM; 0.05		A/R	A/R	A/R	A/R	A/R	A/R	A/R	A/R	A/R	A/R	A/R	A/R			
(a)	SD4300 ~15209	{ SD4300 15210~ SD4340 16243~ SD5000T 15208~ SD5040T 15293~	~50000	50001~	A/R	A/R	A/R	A/R	A/R	A/R	A/R	A/R	A/R	A/R	A/R			
	~16242		(c) { SD5000T ~50000	50001~	50001~													
	~15208		(d) { SD5000T ~50000	50001~	50001~													
	~16292		(e) { SD4500・4540 ~10060 SD5000T・5040T ~50462	50001~	50001~													
			(f) { SD4500・4540 10061~ SD5000T・5040T 50463~															



46. BRAKE, WHEEL SHAFT CASE

SD5000T ~ 50000
SD5040T ~ 50000



SUPPLEMENT NO.	

(1 - 195)

BINDER NO.
1SP3002



46. BRAKE, WHEEL SHAFT CASE

SD5000T ~50000
SD5040T ~50000

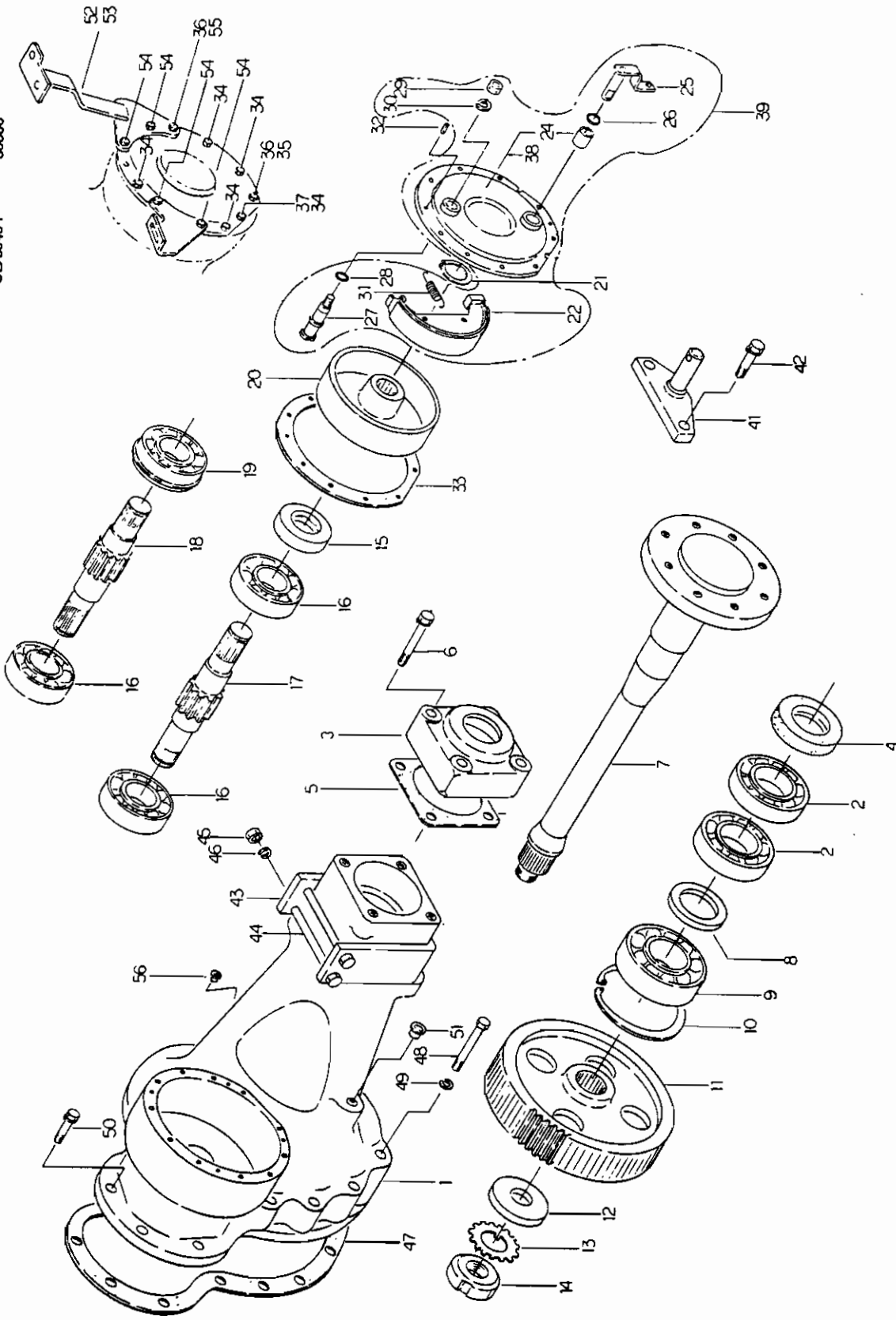
管理コード

REF.NO.	CODE NO.	PART NAME	Qty										REMARKS				
			4300	SD 4340	SD 4500	SD 4540	SD 5000T	SD 5040T	Min.Qty								
1	32634 0640	WHEEL SHAFT CASE	2	2				2	2								
1	32634 0641	WHEEL SHAFT CASE	2	2				2	2								
2	04010 6013	BEARING	4	4				4	4								
3	32636 0200	CASE COVER	2	2				2	2								
4	05060 0065	OIL SEAL	2	2				2	2								
5	32699 0070	GASKET	2	2				2	2								
5	32698 0071	GASKET	2	2				2	2								
6	01131 1045	BOLT	8	8				8	8								
7	32630 0520	WHEEL SHAFT	2	2				2	2								
8	39923 0830	COLLAR	2	2				2	2								(c)
8	39923 0831	COLLAR	2	2				2	2								
9	04010 6212	BEARING	2	2				2	2								
10	03650 0110	SNAP RING	2	2				2	2								
11	32637 0390	FINAL GEAR	2	2				2	2								
12	39921 0430	SPACER	2	2				2	2								
13	02810 0400	LOCK WASHER	2	2				2	2								
14	02270 0400	LOCK NUT	2	2				2	2								
15	05020 2340	OIL SEAL	2	2				2	2								
16	04010 6308	BEARING	3	3				3	3								
17	32621 0600	DIFF SHAFT; L.H	1	1				1	1								
18	32621 0610	DIFF SHAFT; R.H	1	1				1	1								
19	04015 6308	BEARING	1	1				1	1								
20	32851 0050	BRAKE DRUM	2	2				2	2								
21	03610 0035	SNAP RING	2	2				2	2								
22	32810 0041	BRAKE SHOE	4	4				4	4								
24	39851 0150	BUSH	2	2				2	2								
25	32830 0180	BRAKE CAM; R.H	1	1				1	1								
26	32830 0190	BRAKE CAM; L.H	1	1				1	1								
26	05210 0210	O-RING	2	2				2	2								
27	32826 0010	ANCHOR PIN	2	2				2	2								



46. BRAKE, WHEEL SHAFT CASE

SD5000T ~ 50000
SD5040T ~ 50000



BINDER NO.
ISP3002

SUPPLEMENT NO.



46. BRAKE WHEEL SHAFT CASE

SD5000T ~50000
SD5040T ~50000

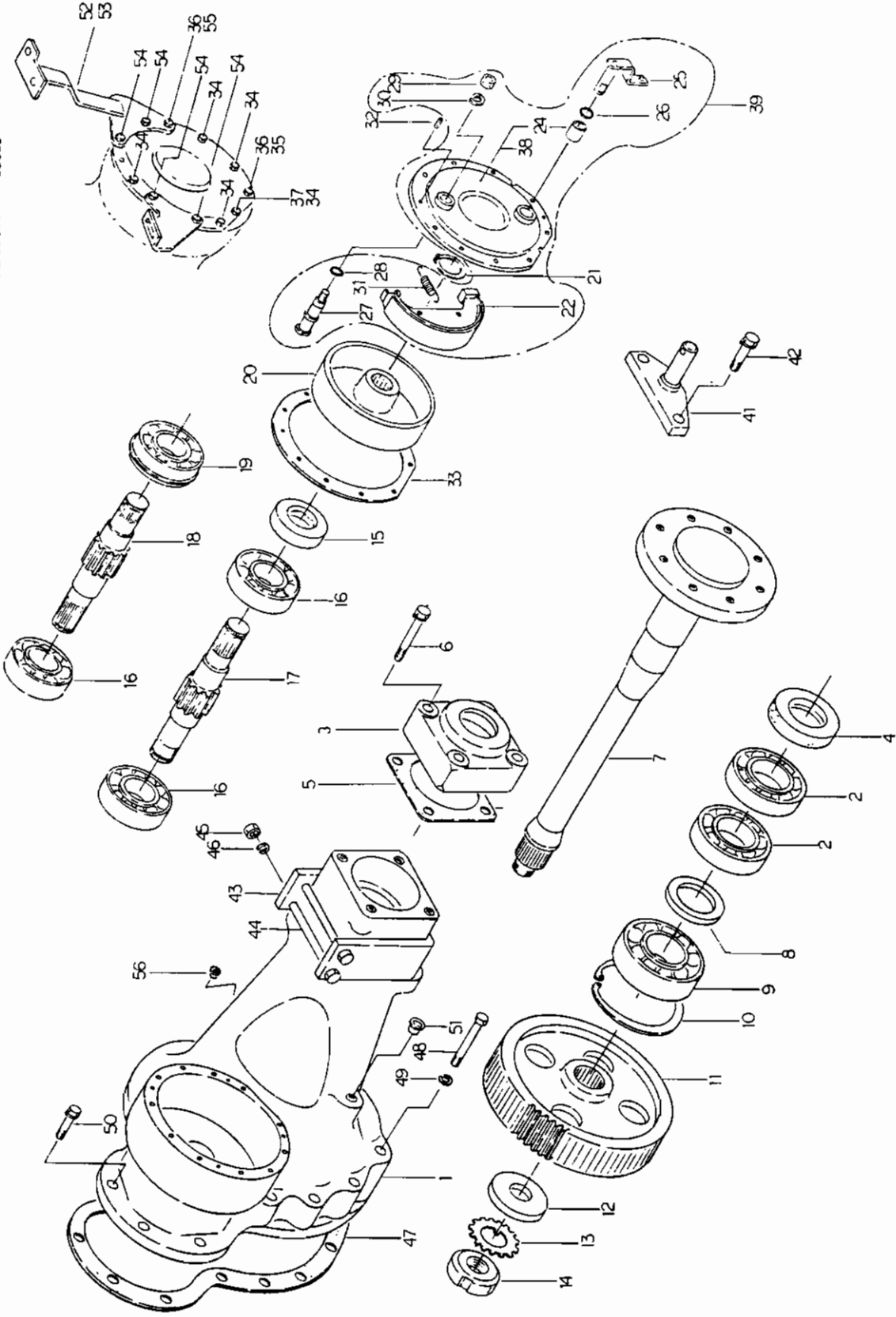
管理コード

REF.NO.	CODE NO.	PART	NAME	Qty										単位 Min.Qty	REMARKS	
				SD 4300	SD 4340	SD 4500	SD 4540	SD 5000T	SD 5040T	SD	SD	SD	SD			
28	05210 0160	O-RING		2	2									2		
29	02030 0016	NUT		2	2									2		
30	02710 0016	SPRING WASHER		2	2									2		
31	39821 0140	SPRING		4	4									4		
32	03030 0820	SPRING PIN		4	4									4		
33	32899 0050	GASKET		2	2									2		
34	01131 0820	BOLT		12	12									12		
35	01010 0816	BOLT		2	2									2		
36	02510 0008	SEAL WASHER		4	4									4		
37	02610 0008	WASHER		2	2									2		
38	32802 0170	CASING ASS'Y		2	2									2		
39	32800 0270	BRAKE ASS'Y; R.H		1	1									1		
39	32800 0280	BRAKE ASS'Y; L.H		1	1									1		
41	37090 0120	PIN		2	2									2		
41	37090 0121	PIN		2	2									2		(a) Φ (b) Φ
42	01131 1230	BOLT		4	4									4		
43	37060 0340	BRACKET		2	2									2		
44	01010 9020	BOLT		4	4									4		
45	02010 0012	NUT		4	4									4		
46	02710 0012	SPRING WASHER		4	4									4		
47	32699 0190	GASKET		2	2									2		
47	32699 0191	GASKET		2	2									2		
48	01011 1075	BOLT		20	20									20		
49	02710 0010	SPRING WASHER		20	20									20		
50	01131 1035	BOLT		8	8									8		Φ MAY 1985
51	39846 0050	BLANK PLUG		8	8									8		
52	35535 0050	SET PLATE; L.H		1	1									1		
53	35535 0061	SET PLATE; R.H		1	1									1		
54	01131 0825	BOLT		6	6									6		
55	01010 0825	BOLT		2	2									2		



46. BRAKE, WHEEL SHAFT CASE

SD5000T ~50000
SD5040T ~50000



BINDER NO.
ISP3002

SUPPLEMENT NO.



46. BRAKE, WHEEL SHAFT CASE

SD5000T ~50000
SD5040T ~50000

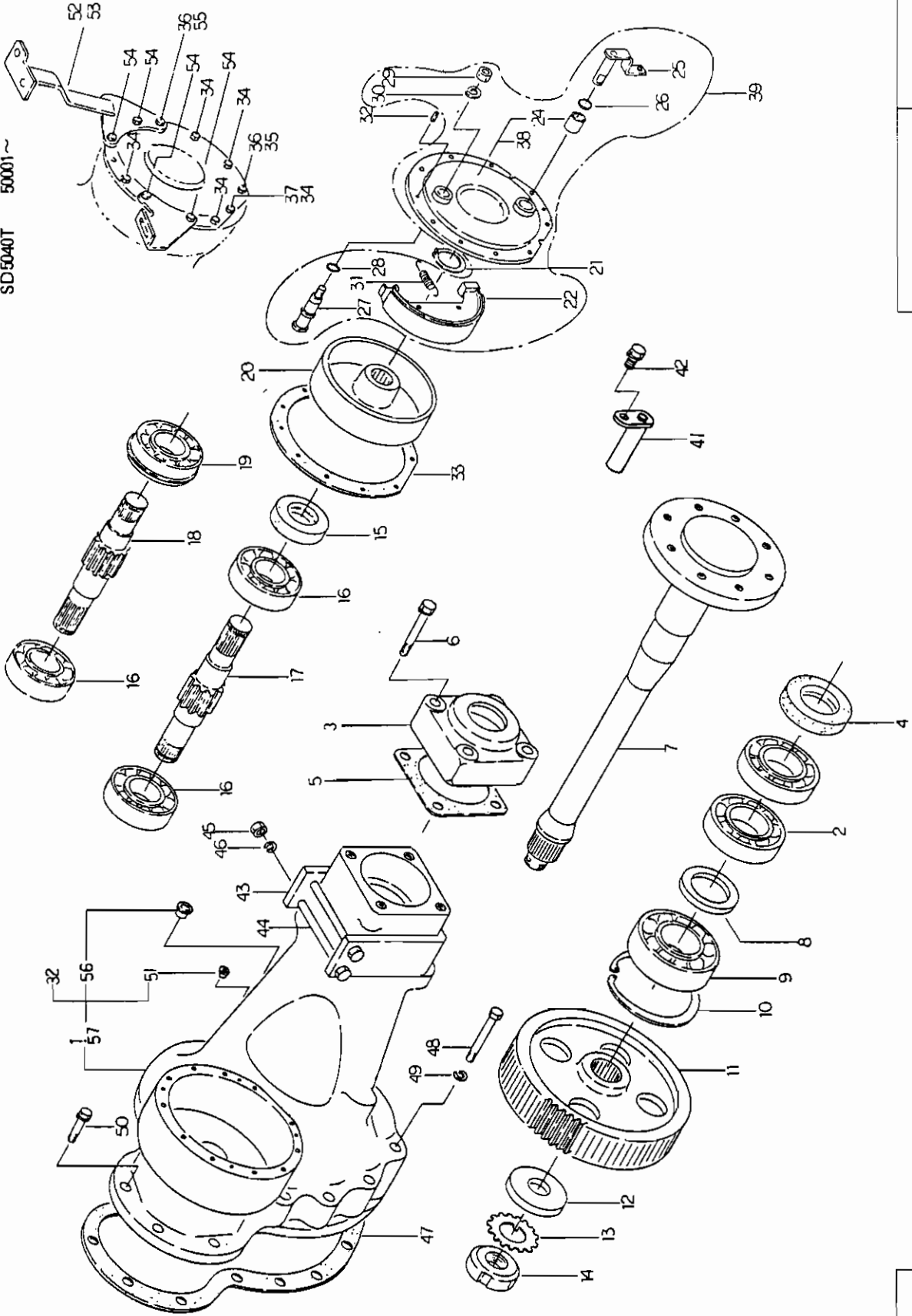
管理コード

REF.NO	CODE NO.	PART	NAME	Qty										REMARKS				
				SD 4300	SD 4340	SD 4500	SD 4540	SD 5000T	SD 5040T	SD 15211	SD 15212	SD 16396	SD 16408		SD 16476	SD 16477	Min,Qty	
56	39846 0170	BLANK PLUG		2	2													
	{ (a) SD4300 ~15211 SD4340 ~16396 SD5000T ~15211 SD5040T ~16408	{ SD4300 15212~ SD4340 16396~ (b) SD5000T 15212~ SD5040T 16408~	{ SD4300 ~15211 SD4340 ~16476 (c) SD5000T ~15211 SD5040T ~16476	SD4300 15212~ SD4340 16477~ (d) SD5000T 15212~ SD5040T 16477~														



46A. BRAKE, WHEEL SHAFT CASE

SD5000T 50001~
SD5040T 50001~



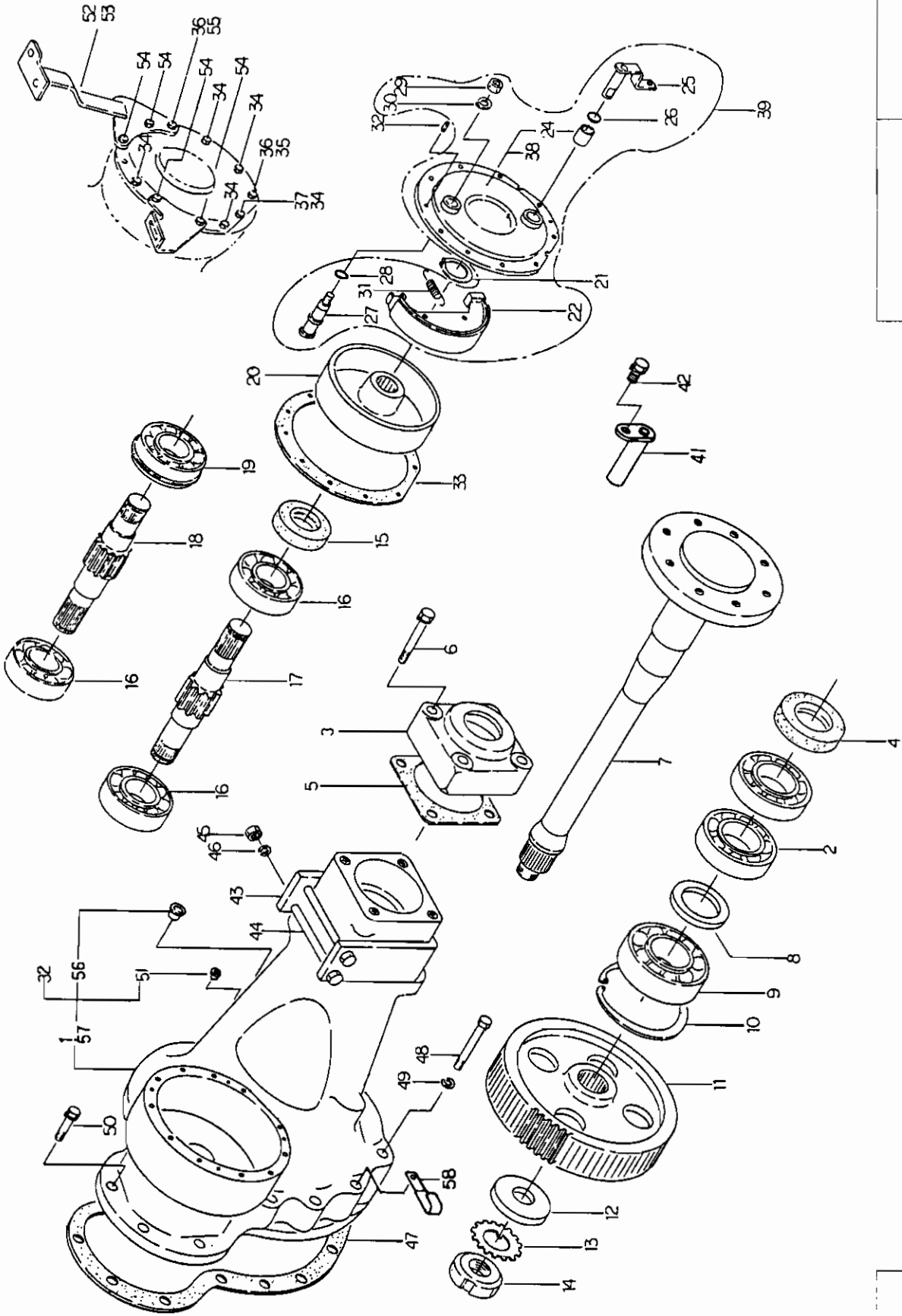
BINDER NO.
ISP3002

SUPPLEMENT NO.



46A. BRAKE, WHEEL SHAFT CASE

SD5000T 50001~
SD5040T 50001~



(1 - 203)

SUPPLEMENT NO.	No 7 - AUGUST, 1986
----------------	---------------------

BINDER NO.	1 SP 3 0 0 2
------------	--------------



46A. BRAKE, WHEEL SHAFT CASE

SD5000T
SD5040T

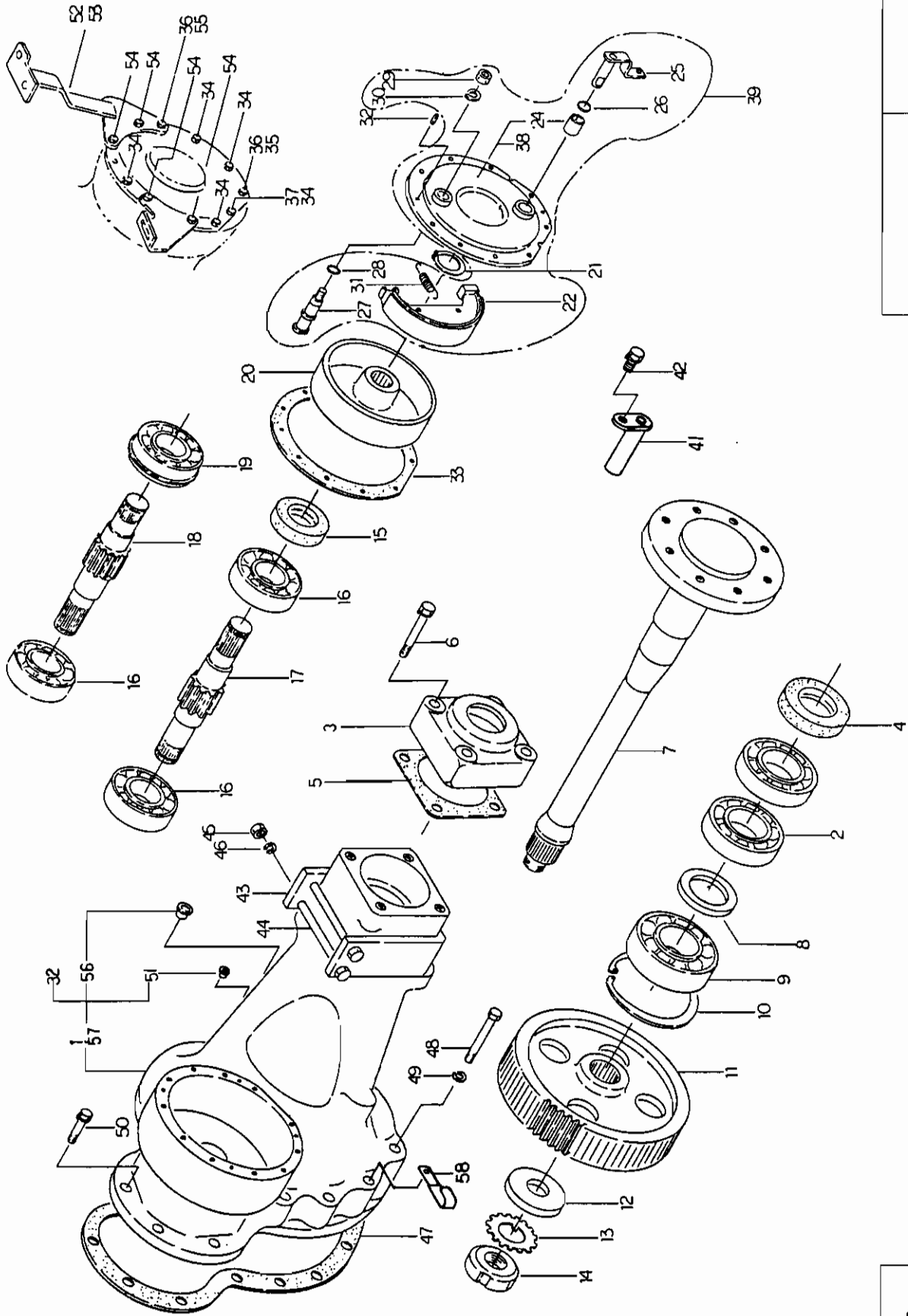
管理コード
50001~
50001~

REFNO.	CODE NO.	PART	NAME	Q'ty												REMARKS
				S	D	S	D	S	D	S	D	S	D	S	D	
				4300	4340	4500	4540	5000T	5040T							
28	05210 0160	O-RING				2	2	2	2	2	2	2	2			
29	02030 0016	NUT				2	2	2	2	2	2	2	2			
30	02710 0016	SPRING WASHER				2	2	2	2	2	2	2	2			
31	39821 0140	SPRING				4	4	4	4	4	4	4	4			
32	03030 0820	SPRING PIN				4	4	4	4	4	4	4	4			
33	32899 0050	GASKET				2	2	2	2	2	2	2	2			
34	01131 0820	BOLT				12	12	12	12	12	12	12	12			
35	01010 0816	BOLT				2	2	2	2	2	2	2	2			
36	02510 0008	SEAL WASHER				4	4	4	4	4	4	4	4			
37	02610 0008	WASHER				2	2	2	2	2	2	2	2			
38	32802 0170	CASING ASS'Y				2	2	2	2	2	2	2	2			
39	32800 0270	BRAKE ASS'Y; R.H				1	1	1	1	1	1	1	1		(f) ⊕	
39	32800 0271	BRAKE ASS'Y; R.H				1	1	1	1	1	1	1	1		(g) ⊕	
39	32800 0280	BRAKE ASS'Y; L.H				1	1	1	1	1	1	1	1		(f) ⊕	
39	32800 0281	BRAKE ASS'Y; L.H				1	1	1	1	1	1	1	1		(g) ⊕	
41	37090 0450	PIN				2	2	2	2	2	2	2	2			
42	01131 1020	BOLT				2	2	2	2	2	2	2	2			
43	37060 0340	BRACKET				2	2	2	2	2	2	2	2			
44	01010 9020	BOLT				4	4	4	4	4	4	4	4			
45	02010 0012	NUT				4	4	4	4	4	4	4	4			
46	02710 0012	SPRING WASHER				4	4	4	4	4	4	4	4			
47	32699 0190	GASKET				2	2	2	2	2	2	2	2		(a) ⊕	
47	32699 0191	GASKET				2	2	2	2	2	2	2	2		(b) ⊕	
48	01011 1075	BOLT				20	20	20	20	20	20	20	20		⊕	
48	01131 1075	BOLT				20	20	20	20	20	20	20	20		JANUARY 1986	
49	02710 0010	SPRING WASHER				20	20	20	20	20	20	20	20			
50	01131 1035	BOLT				8	8	8	8	8	8	8	8			
51	39846 0050	BLANK PLUG				4	4	4	4	4	4	4	4			
52	35535 0050	SET PLATE; L.H				1	1	1	1	1	1	1	1			
53	35535 0061	SET PLATE; R.H				1	1	1	1	1	1	1	1			



46A. BRAKE, WHEEL SHAFT CASE

SD5000T 50001~
SD5040T 50001~



BINDER NO.
ISP3002

(1 - 204A)

SUPPLEMENT NO. No 7 - AUGUST, 1986

46A. BRAKE, WHEEL SHAFT CASE



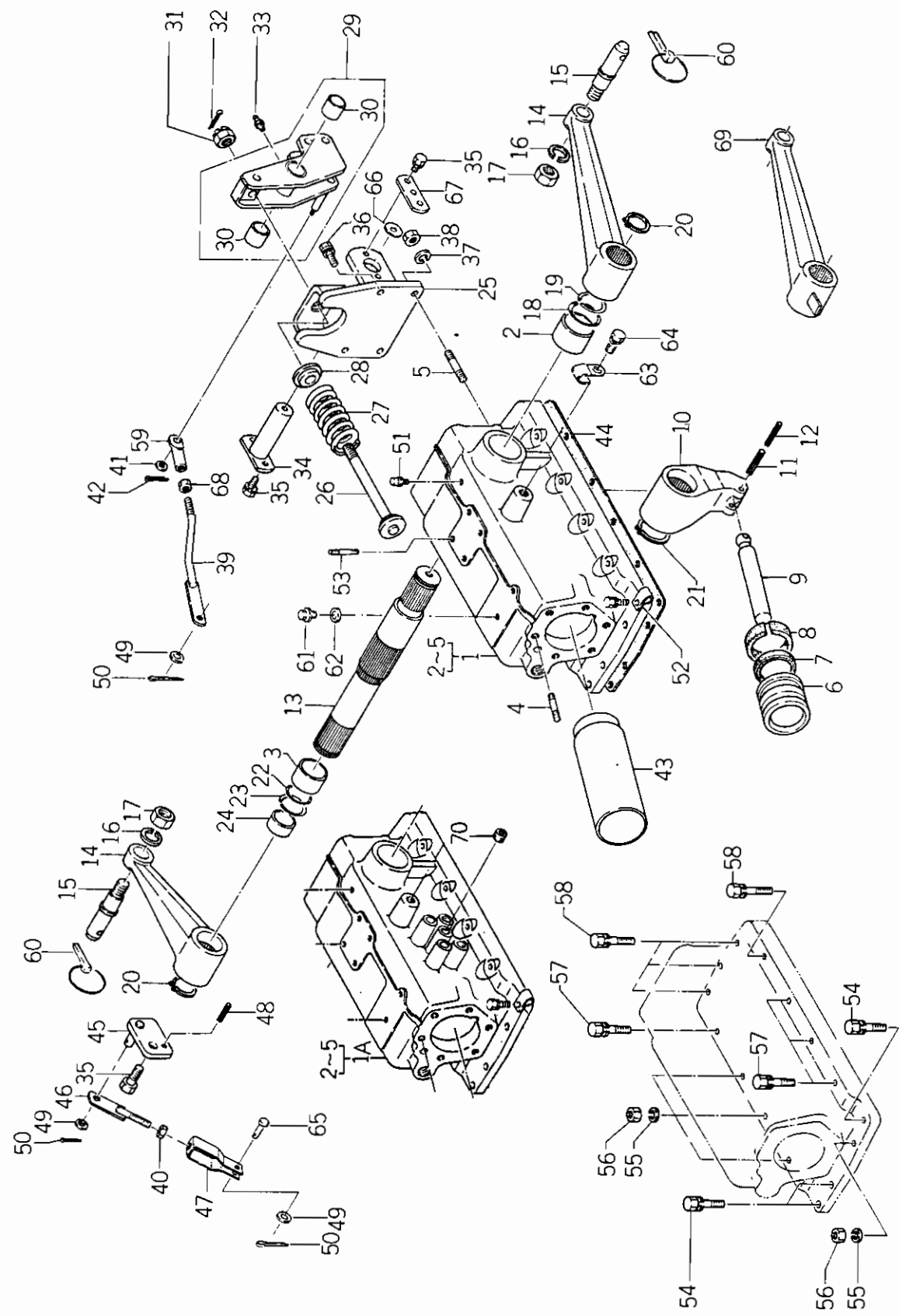
SD5000T 50001~
SD5040T 50001~

管理コード

REF.NO.	CODE NO.	PART	NAME	Qty												REMARKS
				SD 4300	SD 4340	SD 4500	SD 4540	SD 5000T	SD 5040T	SD 4300	SD 4340	SD 4500	SD 4540	SD 5000T	SD 5040T	
54	01131 0825	BOLT				6	6	6	6	6	6	6	6			
55	01010 0825	BOLT				2	2	2	2	2	2	2	2			
56	39846 0170	BLANK PLUG				2	2	2	2	2	2	2	2			
57	32602 1000	CASING ASS'Y; R.H				1	1	1	1	1	1	1	1			326340860 (d) ⊕
57	32602 1001	CASING ASS'Y; R.H				1	1	1	1	1	1	1	1			326340861 (e) ⊕
58	39911 0340	CLAMP				1	1	1	1	1	1	1	1			(c)
(a)	{ SD4500 ~10037 SD4540 ~10037 SD5000T ~50165 SD5040T ~50189 }	{ SD4500 10038~ SD4540 10038~ SD5000T 50166~ SD5040T 50190~ }	(c) { SD4500・4540 SD5000T・5040T }	10078~ 50687~												
(d)	{ SD4500・4540 SD5000T・5040T }	~ 10109 ~ 50625	(e) { SD4500・4540 SD5000T・5040T }	10110~ 50626~												
(f)	{ SD4500・4540 SD5000T・5040T }	~ 10037 ~ 50323	(g) { SD4500・4540 SD5000T・5040T }	10038~ 50324~												



47. CYLINDER CASE, MECHANICAL DRAFT



SUPPLEMENT NO.

(1 - 205)

BINDER NO.
1 SP 3 0 0 2



47. CYLINDER CASE, MECHANICAL DRAFT

管理コード

REF.NO.	CODE NO.	PART	NAME	Qty												Min.Qty	REMARKS
				S	D	S	D	S	D	S	D	S	D	S	D		
1	34408 0220	CASING ASS'Y		1	1	1	1	1	1	1	1	1	1	1		(b)	Φ
1A	33408 0350	CASING ASS'Y		1	1	1	1	1	1	1	1	1	1	1	(c)		
2	39851 1000	BUSH		1	1	1	1	1	1	1	1	1	1	1			
3	39851 1030	BUSH		1	1	1	1	1	1	1	1	1	1	1			
4	01211 1235	STUD BOLT		1	1	1	1	1	1	1	1	1	1	1			
5	01211 1230	STUD BOLT		1	1	1	1	1	1	1	1	1	1	1			
6	34476 0241	PISTON		1	1	1	1	1	1	1	1	1	1	1			
7	05030 9012	OIL SEAL		1	1	1	1	1	1	1	1	1	1	1			
8	39851 1010	WEAR RING		1	1	1	1	1	1	1	1	1	1	1			
9	34477 0051	PISTON ROD		1	1	1	1	1	1	1	1	1	1	1			
10	34481 0181	ARM		1	1	1	1	1	1	1	1	1	1	1			
11	03030 0845	SPRING PIN		1	1	1	1	1	1	1	1	1	1	1			
12	03030 0545	SPRING PIN		1	1	1	1	1	1	1	1	1	1	1			
13	34483 0270	ARM SHAFT		1	1	1	1	1	1	1	1	1	1	1			
14	34411 0240	LIFT ARM		2	2	2	2	2	2	2	2	2	2	2	(a)	Φ	
14	34411 0340	LIFT ARM		2	2	2	2	2	2	2	2	2	2	2			
15	34414 0061	PIN		2	2	2	2	2	2	2	2	2	2	2			
16	02710 0020	SPRING WASHER		2	2	2	2	2	2	2	2	2	2	2			
17	02020 0020	NUT		2	2	2	2	2	2	2	2	2	2	2			
18	05230 0550	O-RING		1	1	1	1	1	1	1	1	1	1	1			
19	39821 1810	SPRING		1	1	1	1	1	1	1	1	1	1	1	(e)	(f)	
19	39921 1200	SPACER		1	1	1	1	1	1	1	1	1	1	1			
20	03610 0050	SNAP RING		2	2	2	2	2	2	2	2	2	2	2			
21	03610 0055	SNAP RING		1	1	1	1	1	1	1	1	1	1	1			
22	05230 0500	O-RING		1	1	1	1	1	1	1	1	1	1	1			
23	39821 0830	SPRING		1	1	1	1	1	1	1	1	1	1	1	(e)	(f)	
23	39921 1210	SPACER		1	1	1	1	1	1	1	1	1	1	1			
24	39923 2050	COLLAR		1	1	1	1	1	1	1	1	1	1	1			
25	37030 0170	TOP LINK BRACKET		1	1	1	1	1	1	1	1	1	1	1			
26	37090 0140	PIN		1	1	1	1	1	1	1	1	1	1	1			

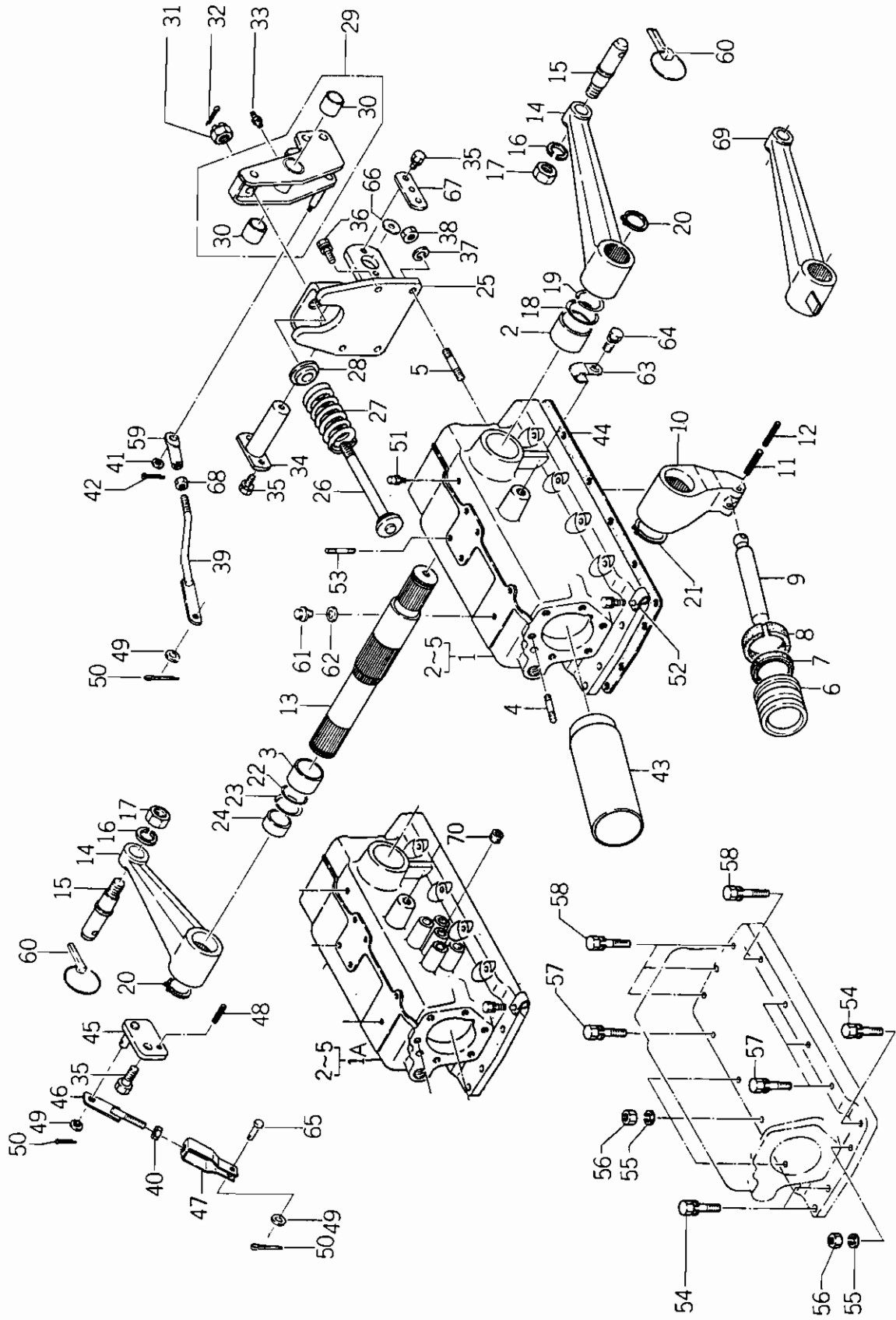
BINDER NO.
1SP3002

(1 — 206)

SUPPLEMENT NO.



47. CYLINDER CASE, MECHANICAL DRAFT



BINDER NO.
ISP3002

SUPPLEMENT NO.

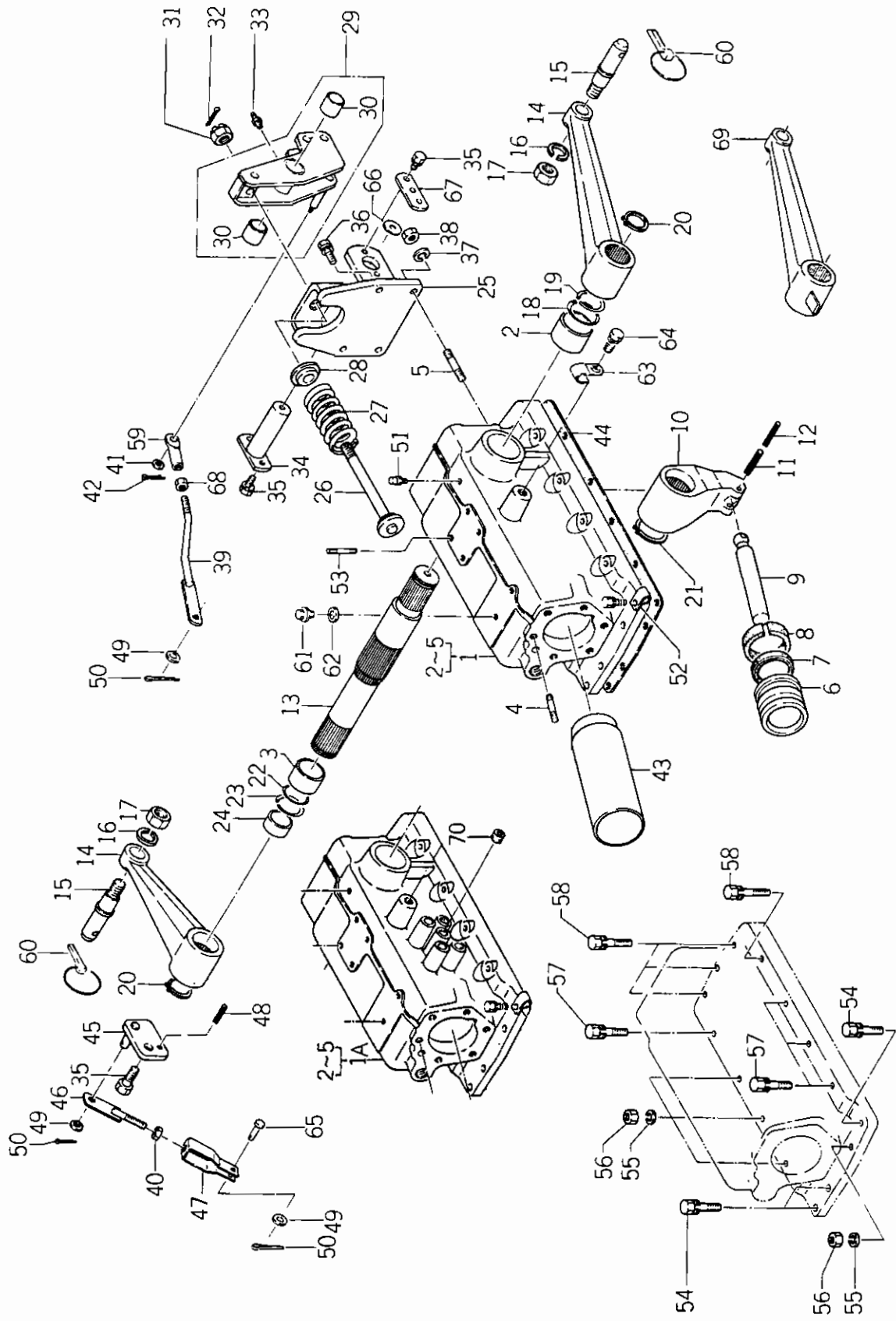
47. CYLINDER CASE, MECHANICAL DRAFT

管理コード

REF.NO.	CODE NO.	PART	NAME	Qty												REMARKS
				S	D	S	D	S	D	S	D	S	D	S	D	
27	39821 0781	SPRING		1	1	1	1	1	1	1	1	1	1	1	1	
28	34438 0050	GUIDE		1	1	1	1	1	1	1	1	1	1	1	1	
29	37003 0030	BRACKET ASS'Y		1	1	1	1	1	1	1	1	1	1	1	1	
30	39851 0080	BUSH		2	2	2	2	2	2	2	2	2	2	2	2	
31	02210 0016	CASTLE NUT		1	1	1	1	1	1	1	1	1	1	1	1	
32	03010 4030	SPLIT PIN		1	1	1	1	1	1	1	1	1	1	1	1	
33	06061 0000	GREASE NIPPLE		1	1	1	1	1	1	1	1	1	1	1	1	
34	37090 0400	PIN		1	1	1	1	1	1	1	1	1	1	1	1	
35	01131 1020	BOLT		6	6	6	6	6	6	6	6	6	6	6	6	
36	0113J 1235	BOLT		3	3	3	3	3	3	3	3	3	3	3	3	
37	02710 0012	SPRING WASHER		1	1	1	1	1	1	1	1	1	1	1	1	
38	02020 0012	NUT		1	1	1	1	1	1	1	1	1	1	1	1	
39	34420 0410	CONNECTING ROD		1	1	1	1	1	1	1	1	1	1	1	1	
40	02030 0008	NUT		1	1	1	1	1	1	1	1	1	1	1	1	
41	02610 0010	WASHER		1	1	1	1	1	1	1	1	1	1	1	1	
42	03010 3025	SPLIT PIN		1	1	1	1	1	1	1	1	1	1	1	1	
43	34478 0291	CYLINDER LINER		1	1	1	1	1	1	1	1	1	1	1	1	
44	34489 0090	GASKET		1	1	1	1	1	1	1	1	1	1	1	1	
44	34499 0091	GASKET		1	1	1	1	1	1	1	1	1	1	1	1	(g) (h)
45	34420 0440	CONNECTING ROD		1	1	1	1	1	1	1	1	1	1	1	1	
46	34420 0391	CONNECTING ROD		1	1	1	1	1	1	1	1	1	1	1	1	
47	35855 0030	FORK JOINT		1	1	1	1	1	1	1	1	1	1	1	1	
48	03030 0512	SPRING PIN		1	1	1	1	1	1	1	1	1	1	1	1	
49	02610 0008	WASHER		3	3	3	3	3	3	3	3	3	3	3	3	
50	03010 2020	SPLIT PIN		3	3	3	3	3	3	3	3	3	3	3	3	
51	34071 0030	BREATHER		1	1	1	1	1	1	1	1	1	1	1	1	
52	19911 6160	CLAMP		1	1	1	1	1	1	1	1	1	1	1	1	
53	01211 1040	STUD BOLT		1	1	1	1	1	1	1	1	1	1	1	1	
54	01131 1030	BOLT		3	3	3	3	3	3	3	3	3	3	3	3	
55	02710 0010	SPRING WASHER		4	4	4	4	4	4	4	4	4	4	4	4	



47. CYLINDER CASE, MECHANICAL DRAFT



BINDER NO.
1 SP3002

(1 - 209)

SUPPLEMENT NO.

47. CYLINDER CASE, MECHANICAL DRAFT

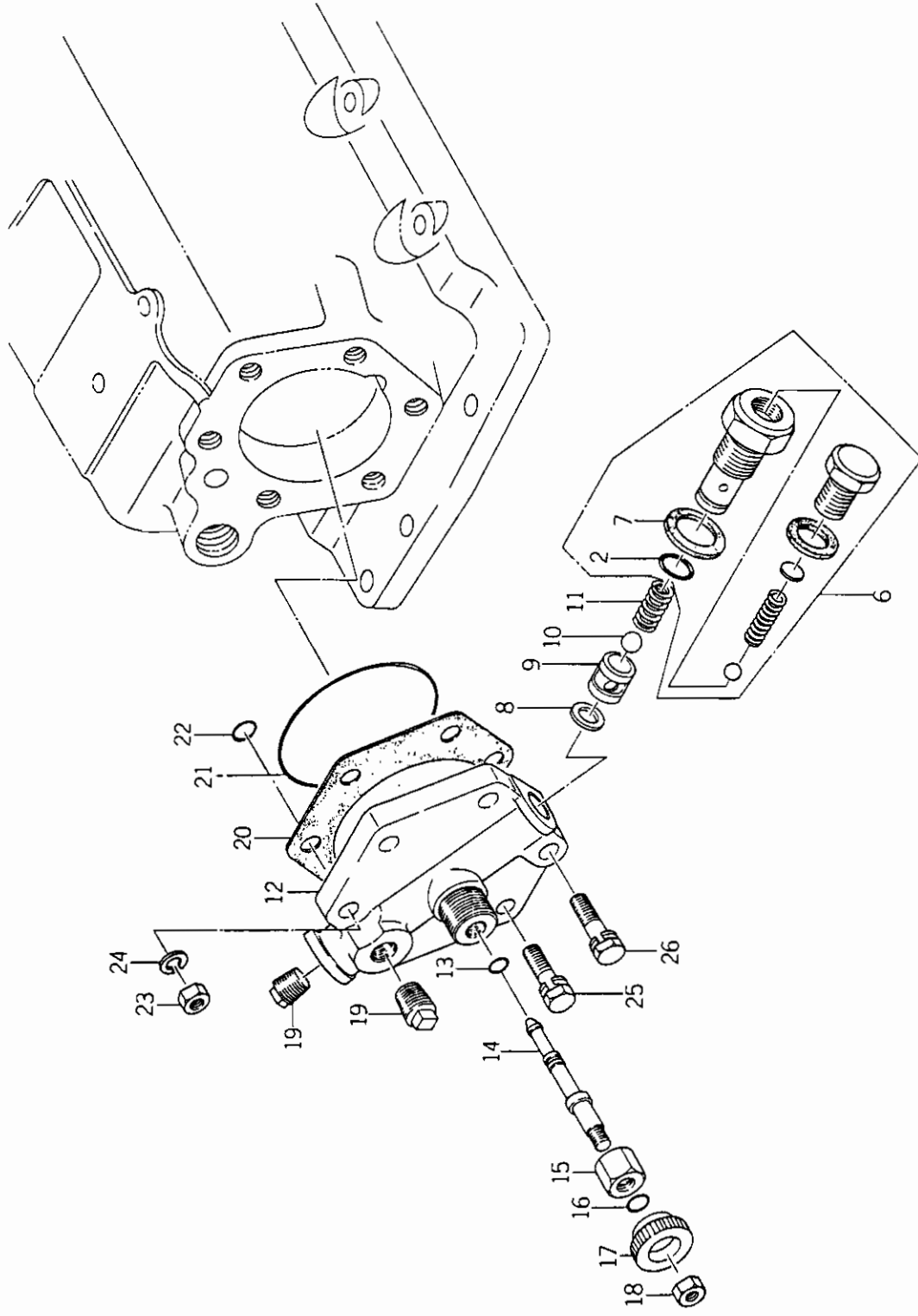
管理コード



REF.NO.	CODE NO.	PART	NAME	Qty										REMARKS		
				S	D	S	D	S	D	S	D	S	D		S	D
56	02020 0010	NUT		4	4	4	4	4	4	4	4	4	4	4		
57	01131 1035	BOLT		4	4	4	4	4	4	4	4	4	4	4		
58	01131 1045	BOLT		4	4	4	4	4	4	4	4	4	4	4		
59	34421 0030	ROD		1	1	1	1	1	1	1	1	1	1	1		
60	37090 0030	PIN		2	2	2	2	2	2	2	2	2	2	2		
61	06460 0010	PLUG		1	1	1	1	1	1	1	1	1	1	1		
62	02510 0010	SEAL WASHER		1	1	1	1	1	1	1	1	1	1	1		
63	39911 1040	CLAMP		1	1	1	1	1	1	1	1	1	1	1		
64	01130 0816	BOLT		1	1	1	1	1	1	1	1	1	1	1		
65	03131 0820	PIN		1	1	1	1	1	1	1	1	1	1	1		
66	19928 0370	SHIM: 0.5		A/R	A/R	A/R	A/R	A/R	A/R	A/R	A/R	A/R	A/R	A/R		
67	39956 3620	PLATE		1	1	1	1	1	1	1	1	1	1	1		
68	02010 0010	NUT		1	1	1	1	1	1	1	1	1	1	1		(a)
69	34410 0330	LIFT ARM		1	1	1	1	1	1	1	1	1	1	1		(c)
70	06560 9002	PLUG		1	1	1	1	1	1	1	1	1	1	1		
	{ SD4300 SD4340 SD5000T SD5040T }	15117~15198 15708~16025 15132~15201 15742~16055	{ SD4300 SD4340 SD5000T SD5040T }	15199~ 16026~ 15202~50000 16056~50000	{ SD4300 SD4340 SD5000T SD5040T }	{ SD5000T SD5040T }	{ SD5000T SD5040T }	{ SD5000T SD5040T }	{ SD5000T SD5040T }	{ SD5000T SD5040T }	{ SD5000T SD5040T }	{ SD5000T SD5040T }	{ SD5000T SD5040T }	50001~ 50001~		
	{ SD4500 SD4540 SD5000T SD5040T }	~10037 ~10037 ~50165 ~50189	{ SD4500 SD4540 SD5000T SD5040T }	10038~ 10038~ 50166~ 50190~	{ SD4500 SD4540 SD5000T SD5040T }	{ SD4500 SD4540 SD5000T SD5040T }	{ SD4500 SD4540 SD5000T SD5040T }	{ SD4500 SD4540 SD5000T SD5040T }	{ SD4500 SD4540 SD5000T SD5040T }	{ SD4500 SD4540 SD5000T SD5040T }	{ SD4500 SD4540 SD5000T SD5040T }	{ SD4500 SD4540 SD5000T SD5040T }	{ SD4500 SD4540 SD5000T SD5040T }			



48. CYLINDER HEAD



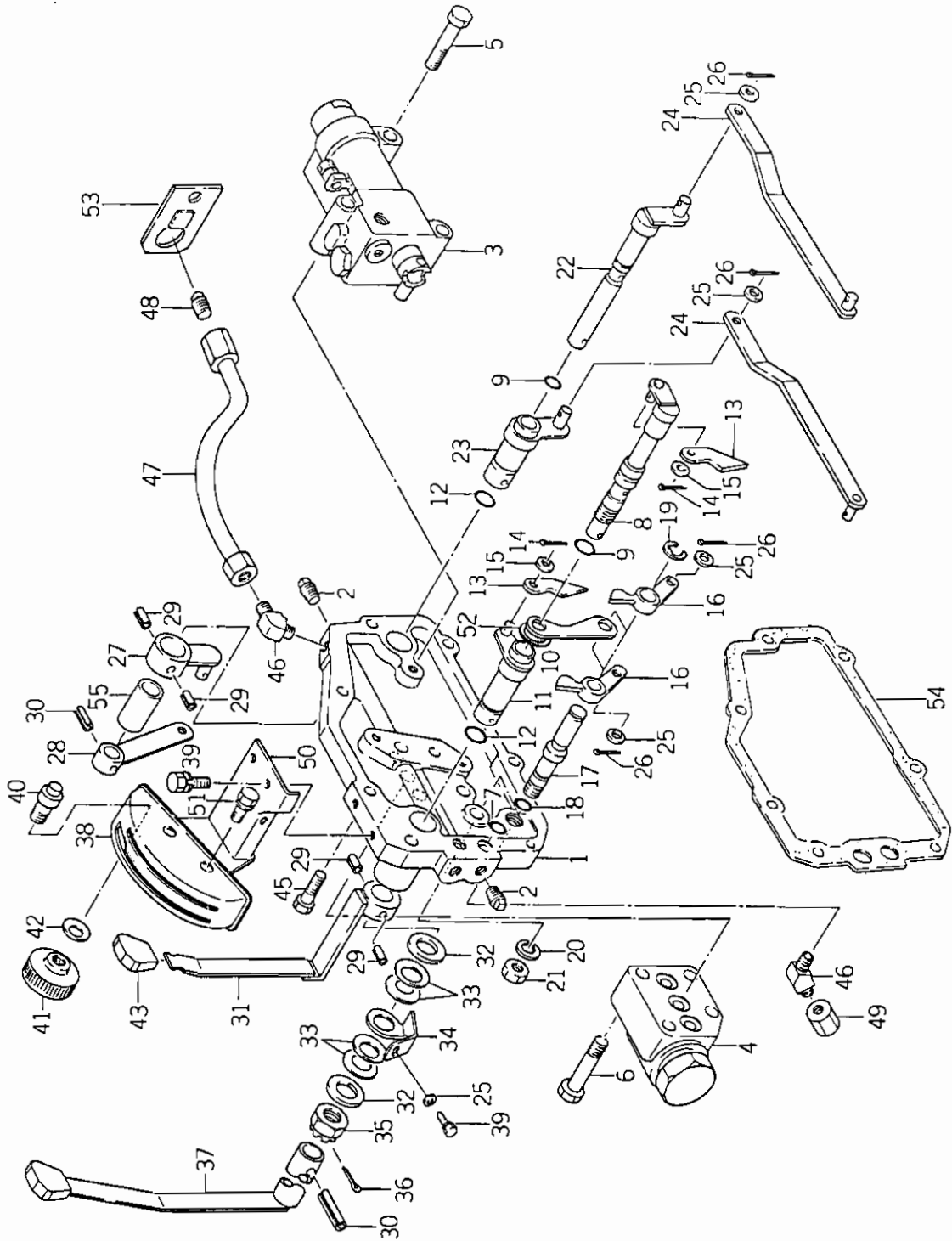
BINDER NO.
ISP3002

(1 - 211)

SUPPLEMENT NO.



49. HYDRAULIC CONTROL; MECHANICAL DRAFT



BINDER NO.
1 SP3002

SUPPLEMENT NO.

49. HYDRAULIC CONTROL; MECHANICAL DRAFT

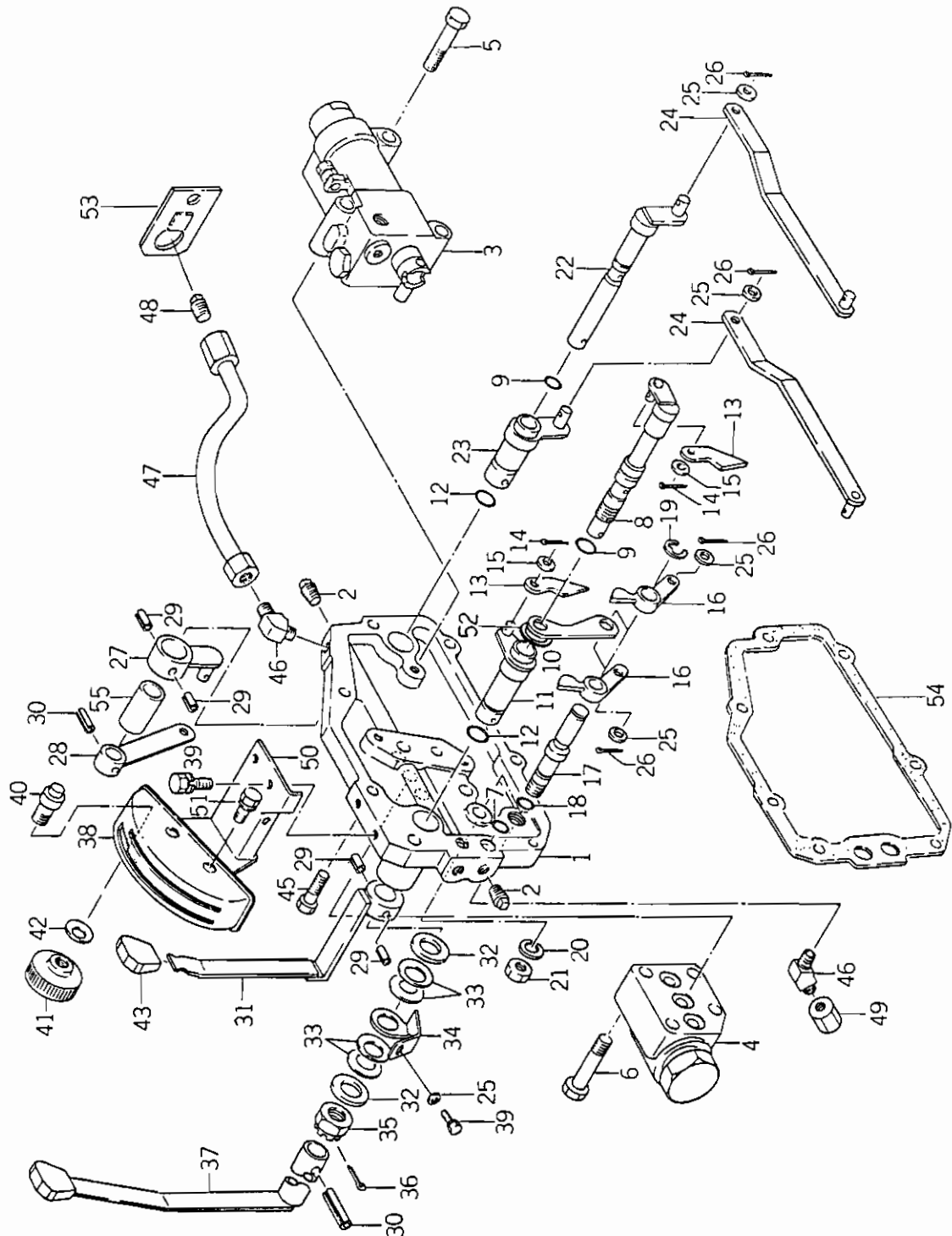


管理コード

REFNO.	CODE NO.	PART	NAME	Qty													Min.Qty	REMARKS
				S	D	S	D	S	D	S	D	S	D	S	D	S		
1	34488 0283	VALVE COVER		1	1	1	1	1	1	1	1	1	1	1	1	1	1	(a)
1A	34488 0284	VALVE COVER		1	1	1	1	1	1	1	1	1	1	1	1	1	1	(b)
2	06450 0020	PLUG; PT 1/4		4	4	4	4	4	4	4	4	4	4	4	4	4		
3	34001 0720	CONTROL VALVE ASSY		1	1	1	1	1	1	1	1	1	1	1	1	1		
4	34001 1380	CONTROL VALVE ASSY		1	1	1	1	1	1	1	1	1	1	1	1	1		
5	01131 0860	BOLT		3	3	3	3	3	3	3	3	3	3	3	3	3		
6	01131 0845	BOLT		4	4	4	4	4	4	4	4	4	4	4	4	4		
7	05211 0140	O-RING		2	2	2	2	2	2	2	2	2	2	2	2	2		
8	34020 0140	CONTROL SHAFT		1	1	1	1	1	1	1	1	1	1	1	1	1		
9	05210 0110	O-RING		2	2	2	2	2	2	2	2	2	2	2	2	2		
10	39956 2260	PLATE		1	1	1	1	1	1	1	1	1	1	1	1	1		
11	34020 0150	CONTROL SHAFT		1	1	1	1	1	1	1	1	1	1	1	1	1		
12	05210 0210	O-RING		2	2	2	2	2	2	2	2	2	2	2	2	2		
13	34466 0020	CAM; A		2	2	2	2	2	2	2	2	2	2	2	2	2		
14	03010 2015	SPLIT PIN		2	2	2	2	2	2	2	2	2	2	2	2	2		
15	02610 0006	WASHER		2	2	2	2	2	2	2	2	2	2	2	2	2		
16	34466 0030	CAM; B		2	2	2	2	2	2	2	2	2	2	2	2	2		
17	34021 0150	SHAFT		1	1	1	1	1	1	1	1	1	1	1	1	1		
18	05210 0090	O-RING		1	1	1	1	1	1	1	1	1	1	1	1	1		
19	03680 0010	SNAP RING		1	1	1	1	1	1	1	1	1	1	1	1	1		
20	02710 0012	SPRING WASHER		1	1	1	1	1	1	1	1	1	1	1	1	1		
21	02010 0012	NUT		1	1	1	1	1	1	1	1	1	1	1	1	1		
22	34020 0230	CONTROL SHAFT		1	1	1	1	1	1	1	1	1	1	1	1	1	(c)	
22A	34020 0160	CONTROL SHAFT		1	1	1	1	1	1	1	1	1	1	1	1	1	(d)	
23	34020 0170	CONTROL SHAFT		1	1	1	1	1	1	1	1	1	1	1	1	1	DRAFT FEEDBACK	
24	34420 0230	CONNECTING ROD		2	2	2	2	2	2	2	2	2	2	2	2	2		
25	02610 0008	WASHER		5	5	5	5	5	5	5	5	5	5	5	5	5		
26	03010 2020	SPLIT PIN		5	5	5	5	5	5	5	5	5	5	5	5	5		
27	34010 1050	CONTROL LEVER		1	1	1	1	1	1	1	1	1	1	1	1	1		
28	34010 0830	CONTROL LEVER		1	1	1	1	1	1	1	1	1	1	1	1	1	(c)	



49. HYDRAULIC CONTROL; MECHANICAL DRAFT



BINDER NO.
1 SP3002

(1 — 215)

SUPPLEMENT NO.



49. HYDRAULIC CONTROL; MECHANICAL DRAFT

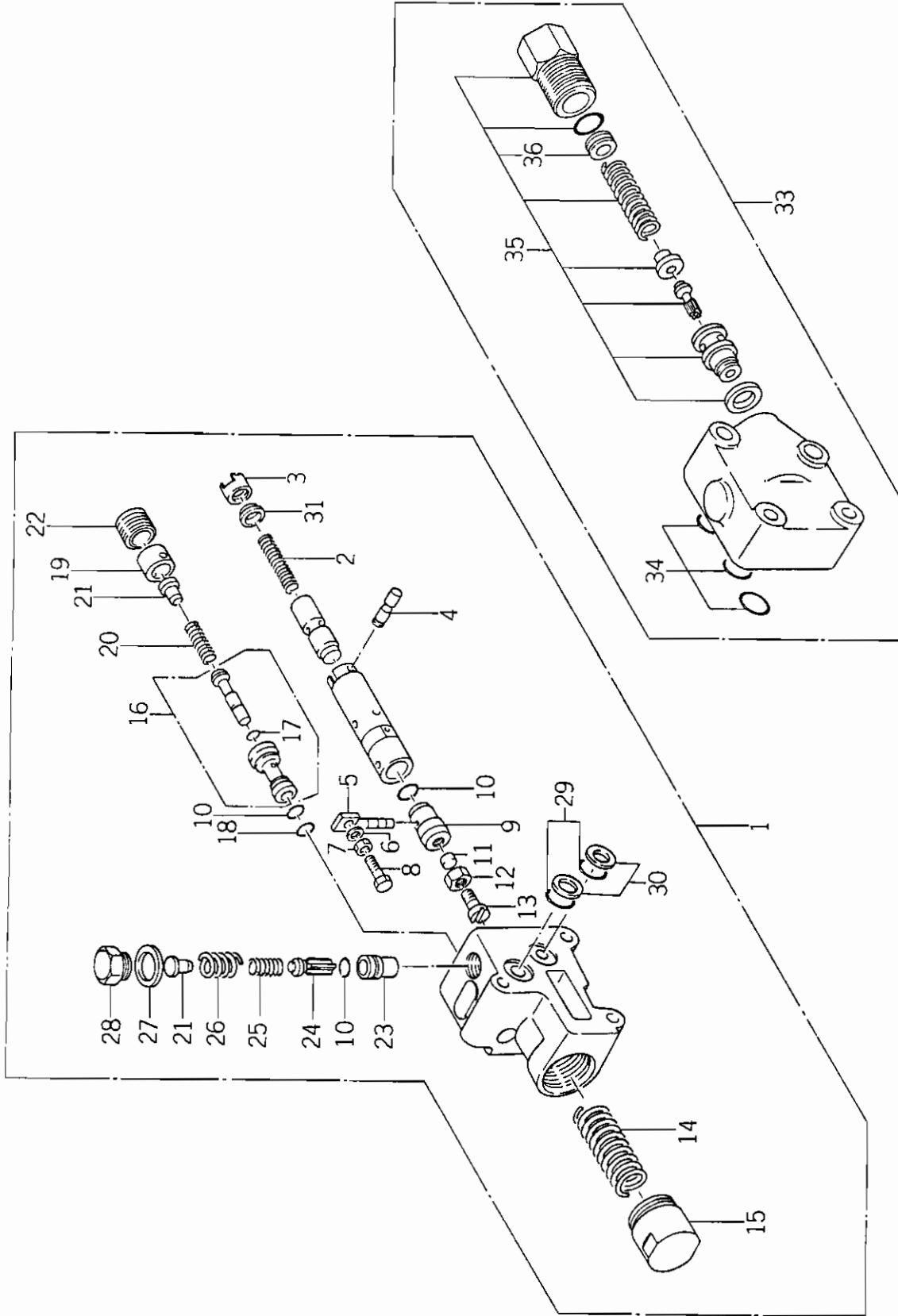
管理コード

REF.NO	CODE NO.	PART	NAME	Q'ty										Min.Qty	REMARKS	
				S	D	S	D	S	D	S	D	S	D			S
28A	34010 0831	CONTROL LEVER		1	1	1	1	1	1	1	1	1	1	1	1	(d)
29	03030 0512	SPRING PIN		4	4	4	4	4	4	4	4	4	4	4	4	DRAFT
30	03030 0525	SPRING PIN		2	2	2	2	2	2	2	2	2	2	2	2	
31	34010 0841	CONTROL LEVER		1	1	1	1	1	1	1	1	1	1	1	1	DRAFT
32	02610 0016	WASHER		2	2	2	2	2	2	2	2	2	2	2	2	
33	39934 0070	WASHER		4	4	4	4	4	4	4	4	4	4	4	4	POSITION
34	39956 3830	PLATE		1	1	1	1	1	1	1	1	1	1	1	1	
35	02210 0016	CASTLE NUT		1	1	1	1	1	1	1	1	1	1	1	1	POSITION
36	03010 4030	SPLIT PIN		1	1	1	1	1	1	1	1	1	1	1	1	
37	34010 0851	CONTROL LEVER		1	1	1	1	1	1	1	1	1	1	1	1	
38	34026 0211	GUIDE		1	1	1	1	1	1	1	1	1	1	1	1	POSITION
39	01130 0816	BOLT		3	3	3	3	3	3	3	3	3	3	3	3	
40	34036 0010	LEVER STOP		1	1	1	1	1	1	1	1	1	1	1	1	POSITION
41	39818 0331	GRIP		1	1	1	1	1	1	1	1	1	1	1	1	
42	39934 0060	WASHER		1	1	1	1	1	1	1	1	1	1	1	1	
43	39818 0360	GRIP		2	2	2	2	2	2	2	2	2	2	2	2	POSITION
45	01130 0830	BOLT		7	7	7	7	7	7	7	7	7	7	7	7	
46	34067 0640	ADAPTOR; PT 3 / 8		2	2	2	2	2	2	2	2	2	2	2	2	POSITION
47	34060 2420	OIL PIPE		1	1	1	1	1	1	1	1	1	1	1	1	
48	06450 0030	PLUG; PT 3 / 8		1	1	1	1	1	1	1	1	1	1	1	1	
49	34067 0760	ADAPTR; PT 3 / 8		1	1	1	1	1	1	1	1	1	1	1	1	POSITION
50	34025 0221	LEVER GUIDE		1	1	1	1	1	1	1	1	1	1	1	1	
51	01130 0812	BOLT		2	2	2	2	2	2	2	2	2	2	2	2	POSITION
52	19928 0160	SHIM; 0.2		1	1	1	1	1	1	1	1	1	1	1	1	
53	39910 0300	CLAMP		1	1	1	1	1	1	1	1	1	1	1	1	
54	34499 0200	GASKET		1	1	1	1	1	1	1	1	1	1	1	1	POSITION
55	39923 2120	COLLAR		1	1	1	1	1	1	1	1	1	1	1	1	

BINDER NO.	SUPPLEMENT NO.
ISP3002	



50. MECHANICAL DRAFT VALVE



(1 — 219)

SUPPLEMENT NO.	

BINDER NO.
ISP3002

50. MECHANICAL DRAFT VALVE



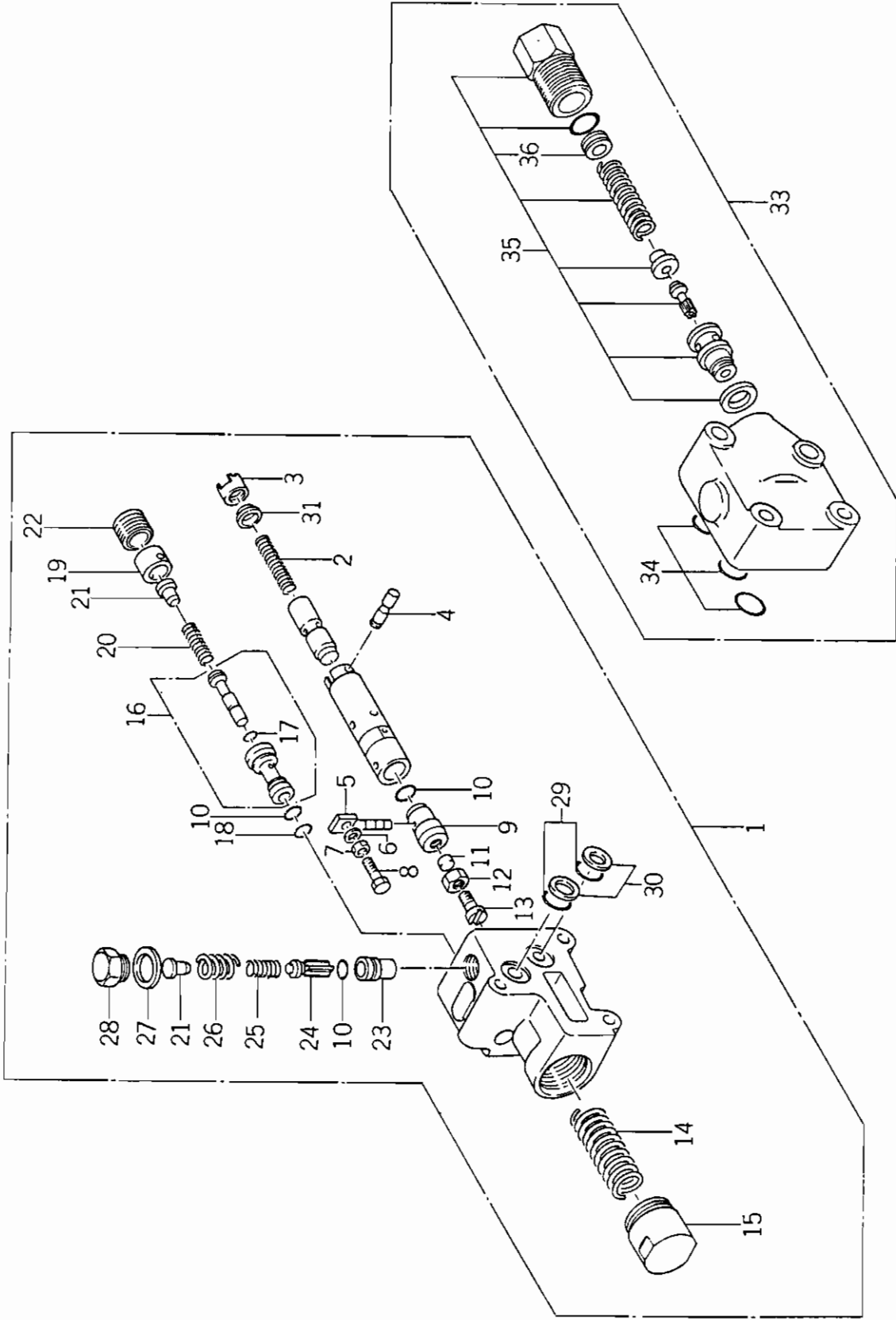
管理コード

REFNO.	CODE NO.	PART	NAME	Qty										REMARKS		
				S	D	S	D	S	D	S	D	S	D			
1	34001 0720	VALVE ASS'Y		1	1	1	1	1	1	1	1	1	1	1	1	DRAFT
2	34029 3002	SPRING		1	1	1	1	1	1	1	1	1	1	1	1	
3	34029 3003	SPRING SEAT		1	1	1	1	1	1	1	1	1	1	1	1	
4	34029 3004	PIN		1	1	1	1	1	1	1	1	1	1	1	1	
5	34029 3005	PIN		1	1	1	1	1	1	1	1	1	1	1	1	
6	02710 0005	SPRING WASHER		1	1	1	1	1	1	1	1	1	1	1	1	
7	02010 0005	NUT		1	1	1	1	1	1	1	1	1	1	1	1	
8	34029 3006	BOLT		1	1	1	1	1	1	1	1	1	1	1	1	
9	34029 3007	PLUG		1	1	1	1	1	1	1	1	1	1	1	1	
10	34029 3008	O-RING		3	3	3	3	3	3	3	3	3	3	3	3	
11	34029 3009	PLUG		1	1	1	1	1	1	1	1	1	1	1	1	
12	02030 0008	NUT		1	1	1	1	1	1	1	1	1	1	1	1	
13	34029 3010	SCREW		1	1	1	1	1	1	1	1	1	1	1	1	
14	34029 3011	SPRING		1	1	1	1	1	1	1	1	1	1	1	1	
15	34029 3012	CAP		1	1	1	1	1	1	1	1	1	1	1	1	
16	34029 3013	LOWERRING VALVE ASS'Y		1	1	1	1	1	1	1	1	1	1	1	1	
17	32049 3014	O-RING		1	1	1	1	1	1	1	1	1	1	1	1	
18	34029 3015	O-RING		1	1	1	1	1	1	1	1	1	1	1	1	
19	34029 3016	COLLAR		1	1	1	1	1	1	1	1	1	1	1	1	
20	34029 3017	SPRING		1	1	1	1	1	1	1	1	1	1	1	1	
21	34029 3018	SPRING		2	2	2	2	2	2	2	2	2	2	2	2	
22	34029 3019	PLUG		1	1	1	1	1	1	1	1	1	1	1	1	
23	34029 3020	BUSH		1	1	1	1	1	1	1	1	1	1	1	1	
24	34029 3021	CHECK VALVE		1	1	1	1	1	1	1	1	1	1	1	1	
25	34029 3022	SPRING		1	1	1	1	1	1	1	1	1	1	1	1	
26	34029 3023	SPRING		1	1	1	1	1	1	1	1	1	1	1	1	
27	34029 3024	GASKET		1	1	1	1	1	1	1	1	1	1	1	1	
28	34029 3025	CAP		1	1	1	1	1	1	1	1	1	1	1	1	
29	34029 3026	O-RING		2	2	2	2	2	2	2	2	2	2	2	2	HARD P-14
30	34029 3027	BACK UP RING		1	1	1	1	1	1	1	1	1	1	1	1	

BINDER NO.	IS P 3 0 0 2
SUPPLEMENT NO.	



50. MECHANICAL DRAFT VALVE



	SUPPLEMENT NO.

BINDER NO.	ISP 3 r ^ 2
------------	-------------



50. MECHANICAL DRAFT VALVE

管理コード

REF.NO.	CODE NO.	PART	NAME	Qty												Min.Qty	REMARKS	
				S	D	S	D	S	D	S	D	S	D	S	D			
31	34029 3028	SPACER		4300	4340	4500	4540	5000T	5040T	S	D	S	D	S	D			
33	34001 1380	VALVE ASS'Y		1	1	1	1	1	1	1	1	1	1	1	1			
34	34029 2790	O-RING		3	3	3	3	3	3	3	3	3	3	3	3			
35	34029 3029	RELIEF VALVE ASS'Y		1	1	1	1	1	1	1	1	1	1	1	1			
36	30591 0020	SHIM KIT		A/R	A/R	A/R	A/R	A/R	A/R	A/R	A/R	A/R	A/R	A/R	A/R			RELIEF HARD P-12

BINDER NO.
ISP3002

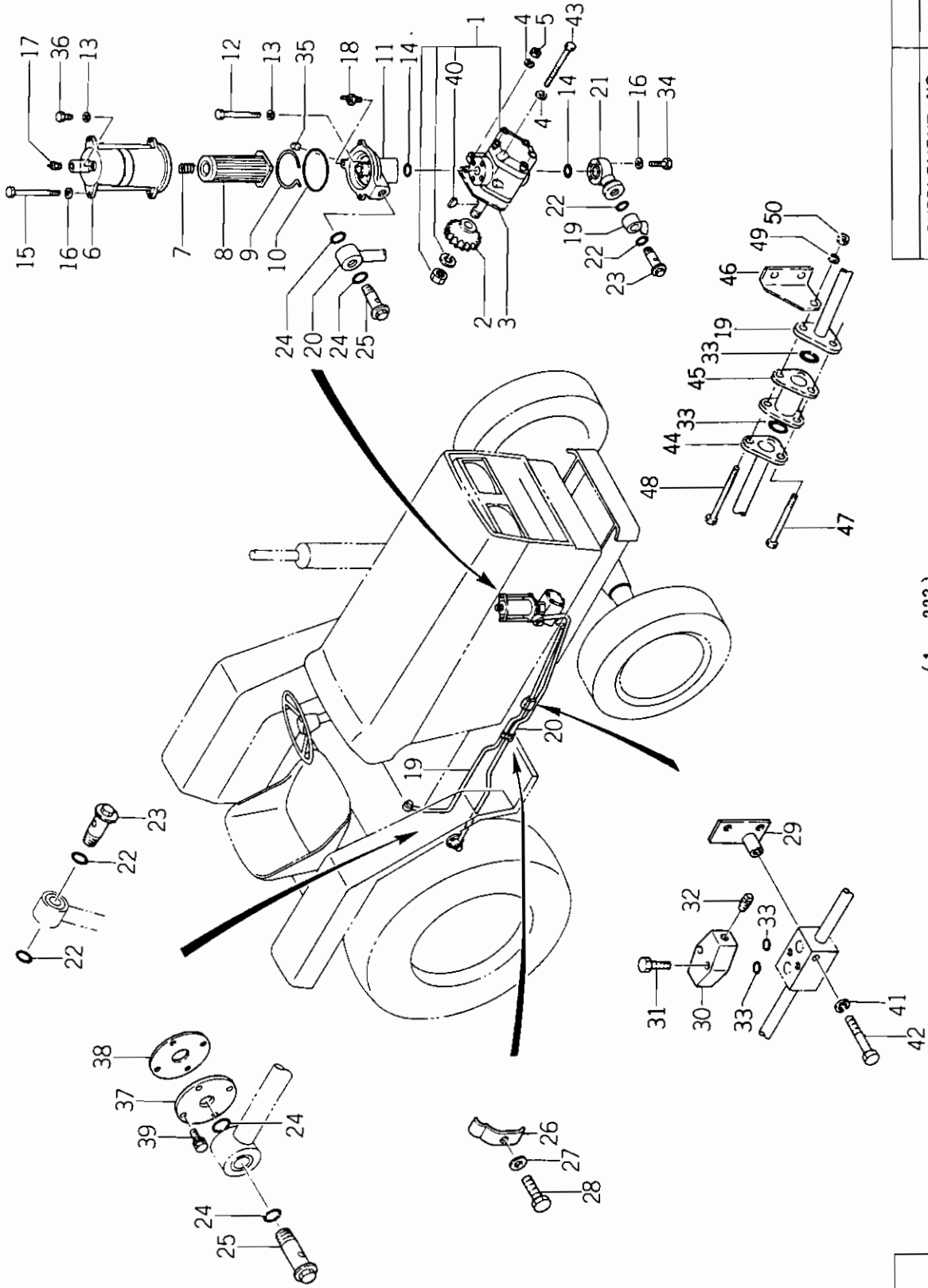
(1 - 222)

SUPPLEMENT NO.



51. HYDRAULIC PUMP, STRAINER

SD5000T ~50000
SD5040T ~50000



BINDER NO.
ISP3002

(1 - 223)

SUPPLEMENT NO.



51. HYDRAULIC PUMP, STRAINER

SD5000T ~50000
SD5040T ~50000

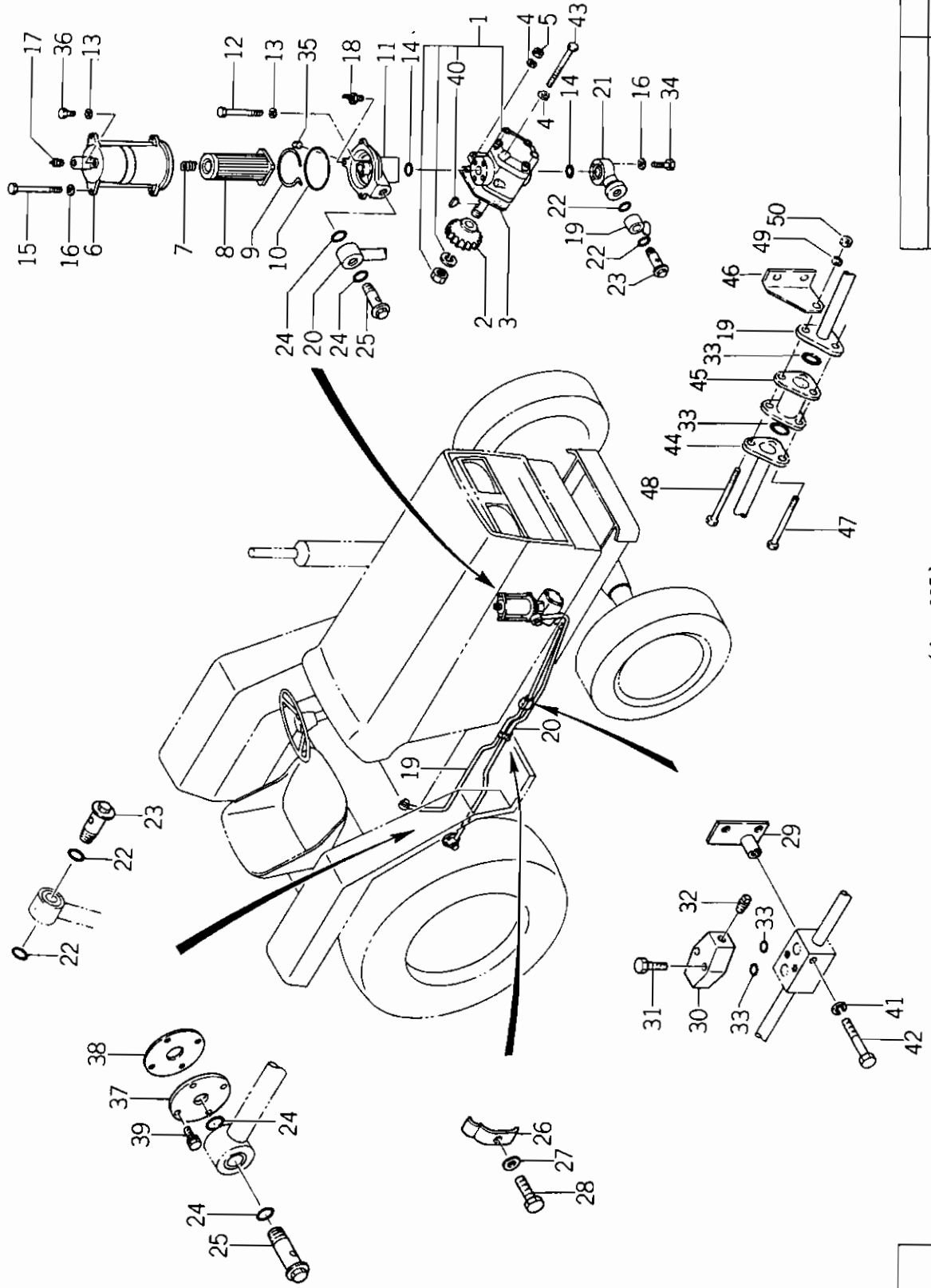
管理コード

REF.NO.	CODE NO.	PART	NAME	Qty												REMARKS
				S	D	S	D	S	D	S	D	S	D	S	D	
1	34045 0210	OIL PUMP ASS'Y		1	1											See Section No51A
2	34046 0050	DRIVE GEAR		1	1											
3	34098 0010	GASKET		1	1											
3	34099 0011	GASKET		1	1											
4	02710 0008	SPRING WASHER		4	4											⌀ MAY 1985
5	02050 0008	NUT		2	2											SMALL SIZE
6	34058 0021	FILTER CASE		1	1											
7	39821 0030	SPRING		1	1											
8	34050 0230	STRAINER		1	1											
9	39834 0230	CLIP		1	1											
10	05230 0800	O-RING		1	1											
11	34062 0460	COUPLING		1	1											
12	01011 0675	BOLT		3	3											
13	02510 0006	SEAL WASHER		4	4											
14	05210 0210	O-RING		2	2											
15	01010 9146	BOLT		2	2											(a)
16	02710 0006	SPRING WASHER		5	5											(b)
17	38520 0480	SWITCH ASS'Y		1	1											
18	38520 0470	SWITCH ASS'Y		1	1											
19	34060 2131	OIL PIPE		1	1											
19	34060 3600	OIL PIPE		1	1											
20	34060 2090	OIL PIPE		1	1											
21	34062 0520	COUPLING		1	1											
22	05230 0250	O-RING		4	4											
23	39848 0250	NIPPLE		2	2											
24	39861 0110	O-RING		4	4											⌀ Aug., 1986
24	05240 0300	O-RING		4	4											
25	39848 0370	NIPPLE		2	2											
26	39911 0290	CLAMP		1	1											
27	02610 6010	WASHER		1	1											



51. HYDRAULIC PUMP, STRAINER

SD5000T ~50000
SD5040T ~50000



BINDER NO.
1SP3002

SUPPLEMENT NO.



51. HYDRAULIC PUMP, STRAINER

SD5000T ~50000
SD5040T ~50000

管理コード

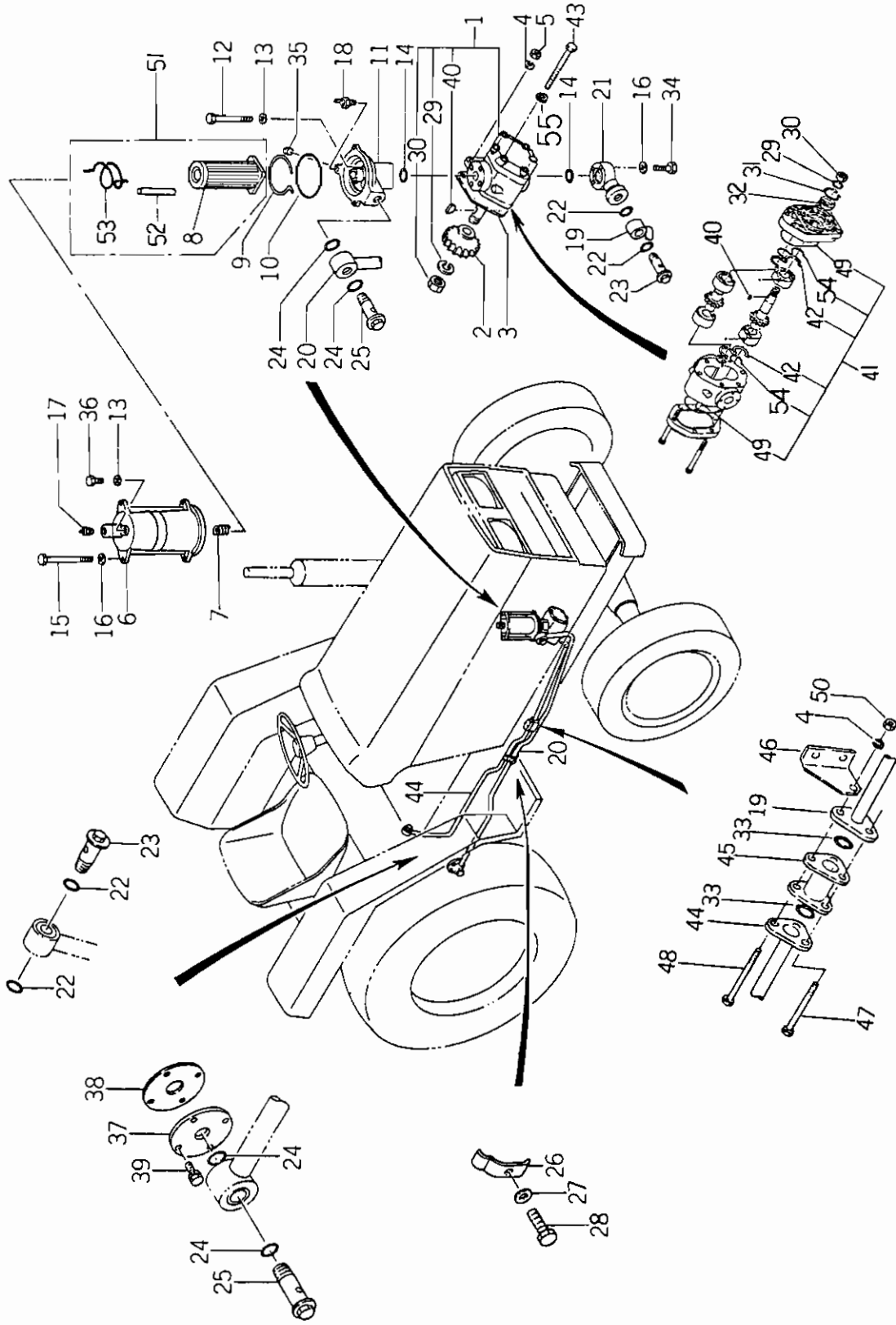
REF.NO.	CODE NO.	PART	NAME	Qty										REMARKS		
				SD 4300	SD 4340	SD 4500	SD 4540	SD 5000T	SD 5040T	SD	SD	SD	SD		Min.Qty	
28	01130 1045	BOLT		1	1			1				1				(a)
29	39910 0280	CLAMP		1	1			1				1				(a)
30	34488 0152	VALVE COVER		1	1			1				1				(a)
31	01131 0835	BOLT		2	2			2				2				(a)
32	06450 0020	PLUG; PT1/4		1	1			1				1				HARD
33	05211 0200	O-RING		2	2			2				2				
34	01010 0640	BOLT		3	3			3				3				
35	06450 0010	PLUG; PT1/8		1	1			1				1				
36	01010 0610	BOLT		1	1			1				1				
37	34056 0180	FLANGE		1	1			1				1				
38	32499 0070	GASKET		1	1			1				1				
38	32498 0071	GASKET		1	1			1				1				
39	01130 0825	BOLT		4	4			4				4				
40	03430 3013	KEY		1	1			1				1				
41	02710 0008	SPRING WASHER		1	1			1				1				
42	01011 0890	BOLT		1	1			1				1				
43	01031 0895	BOLT		2	2			2				2				
44	34060 3620	OIL PIPE		1	1			1				1				
45	34063 0700	JOINT		1	1			1				1				
46	39910 0460	CLAMP		1	1			1				1				
47	01011 0890	BOLT		2	2			2				2				
48	01011 0895	BOLT		1	1			1				1				
49	02710 0008	SPRING WASHER		3	3			3				3				
50	02010 0008	NUT		3	3			3				3				
{ SD4300 ~15154 SD4340 ~15888 SD5000T ~15162 SD5040T ~15925 }				{ SD4300 SD4340 SD5000T SD5040T }				{ 15155~ 15889~ 15163~ 15926~ }								

⌀ MAY 1985



51A. HYDRAULIC PUMP, STRAINER

SD5000T 50001~
SD5040T 50001~





51A. HYDRAULIC PUMP, STRAINER

SD5000T 50001~
SD5040T 50001~

管理コード

REF.NO.	CODE NO.	PART	NAME	Qty										REMARKS	
				S	D	S	D	S	D	S	D	S	D		Min.Qty
1	34045 0210	OIL PUMP ASS'Y													
2	34046 0050	DRIVE GEAR		1	1	1	1	1	1	1	1	1	1	1	
3	34099 0010	GASKET		1	1	1	1	1	1	1	1	1	1	1	
3	34099 0011	GASKET		1	1	1	1	1	1	1	1	1	1	1	
4	02710 0008	SPRING WASHER		6	6	6	6	6	6	6	6	6	6	6	
5	02050 0008	NUT		2	2	2	2	2	2	2	2	2	2	2	
6	34058 0021	FILTER CASE		1	1	1	1	1	1	1	1	1	1	1	
7	39821 0030	SPRING		1	1	1	1	1	1	1	1	1	1	1	
8	34050 0230	STRAINER		1	1	1	1	1	1	1	1	1	1	1	
9	39834 0230	CLIP		1	1	1	1	1	1	1	1	1	1	1	
10	05230 0800	O-RING		1	1	1	1	1	1	1	1	1	1	1	
11	34062 0890	COUPLING		1	1	1	1	1	1	1	1	1	1	1	
12	01011 0690	BOLT		3	3	3	3	3	3	3	3	3	3	3	
13	02510 0006	SEAL WASHER		4	4	4	4	4	4	4	4	4	4	4	
14	05210 0210	O-RING		2	2	2	2	2	2	2	2	2	2	2	
15	01010 9146	BOLT		2	2	2	2	2	2	2	2	2	2	2	
16	02710 0006	SPRING WASHER		5	5	5	5	5	5	5	5	5	5	5	
17	38520 0490	SWITCH ASS'Y		1	1	1	1	1	1	1	1	1	1	1	
18	38520 0470	SWITCH ASS'Y		1	1	1	1	1	1	1	1	1	1	1	
19	34060 3600	OIL PIPE		1	1	1	1	1	1	1	1	1	1	1	
20	34060 4750	OIL PIPE		1	1	1	1	1	1	1	1	1	1	1	
21	34062 0520	COUPLING		1	1	1	1	1	1	1	1	1	1	1	
22	05230 0250	O-RING		4	4	4	4	4	4	4	4	4	4	4	
23	39848 0250	NIPPLE		2	2	2	2	2	2	2	2	2	2	2	
24	39861 0110	O-RING		4	4	4	4	4	4	4	4	4	4	4	
24	05240 0300	O-RING		4	4	4	4	4	4	4	4	4	4	4	
25	39848 0370	NIPPLE		2	2	2	2	2	2	2	2	2	2	2	
26	39911 0290	CLAMP		1	1	1	1	1	1	1	1	1	1	1	
27	02610 0010	WASHER		1	1	1	1	1	1	1	1	1	1	1	
28	01130 1045	BOLT		1	1	1	1	1	1	1	1	1	1	1	

(a)
(b)

SMALL SIZE

Aug., 1986

BINDER NO.
1SP3002

(1 - 228)

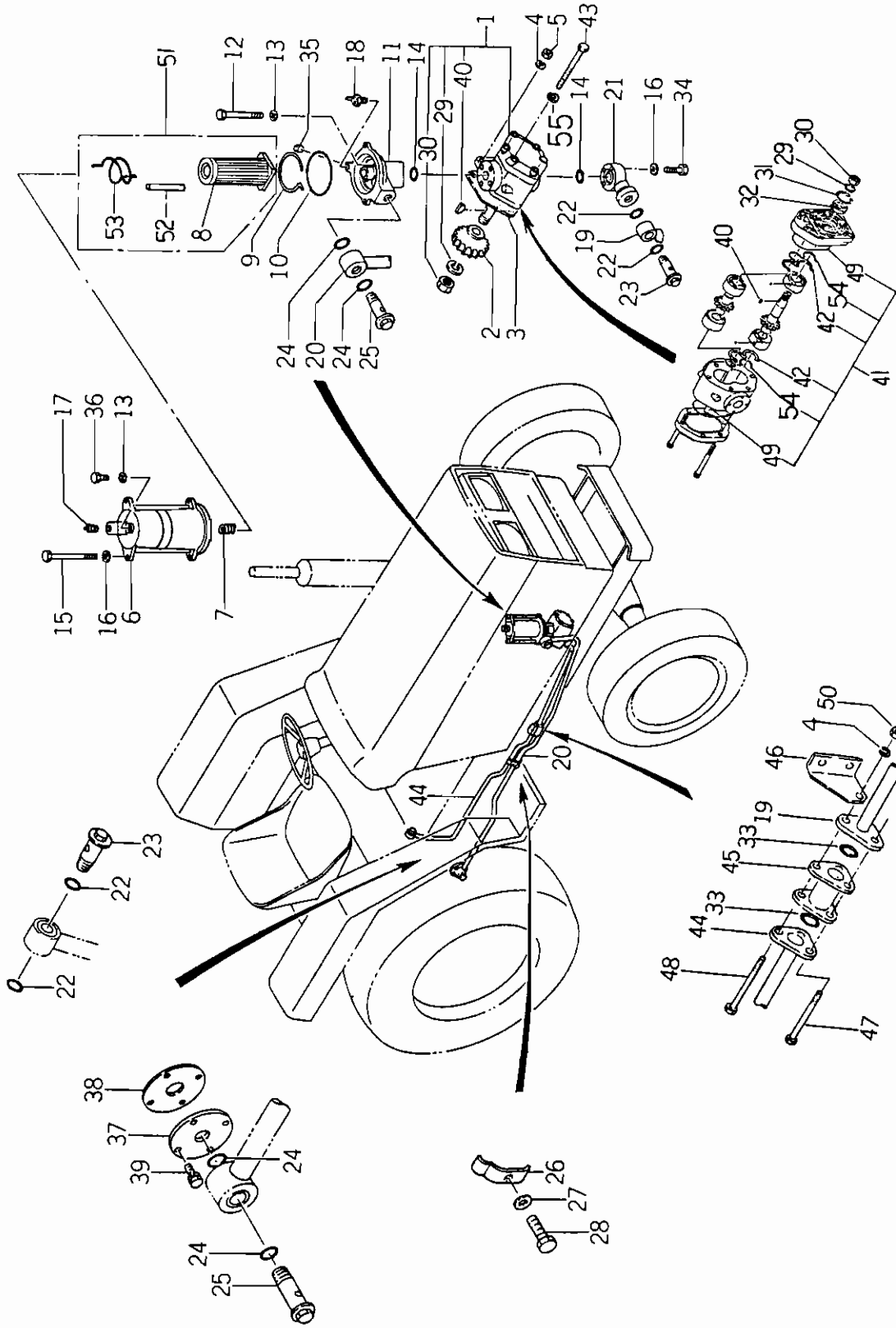
SUPPLEMENT NO.

No 6 - FEBRUARY, 1986



51A. HYDRAULIC PUMP, STRAINER

SD5000T 50001~
SD5040T 50001~



BINDER NO.
ISP3002

(1 - 229)

SUPPLEMENT NO. No. 4 - FEBRUARY, 1985



51A. HYDRAULIC PUMP, STRAINER

SD5000T 50001~
SD5040T 50001~

管理コード

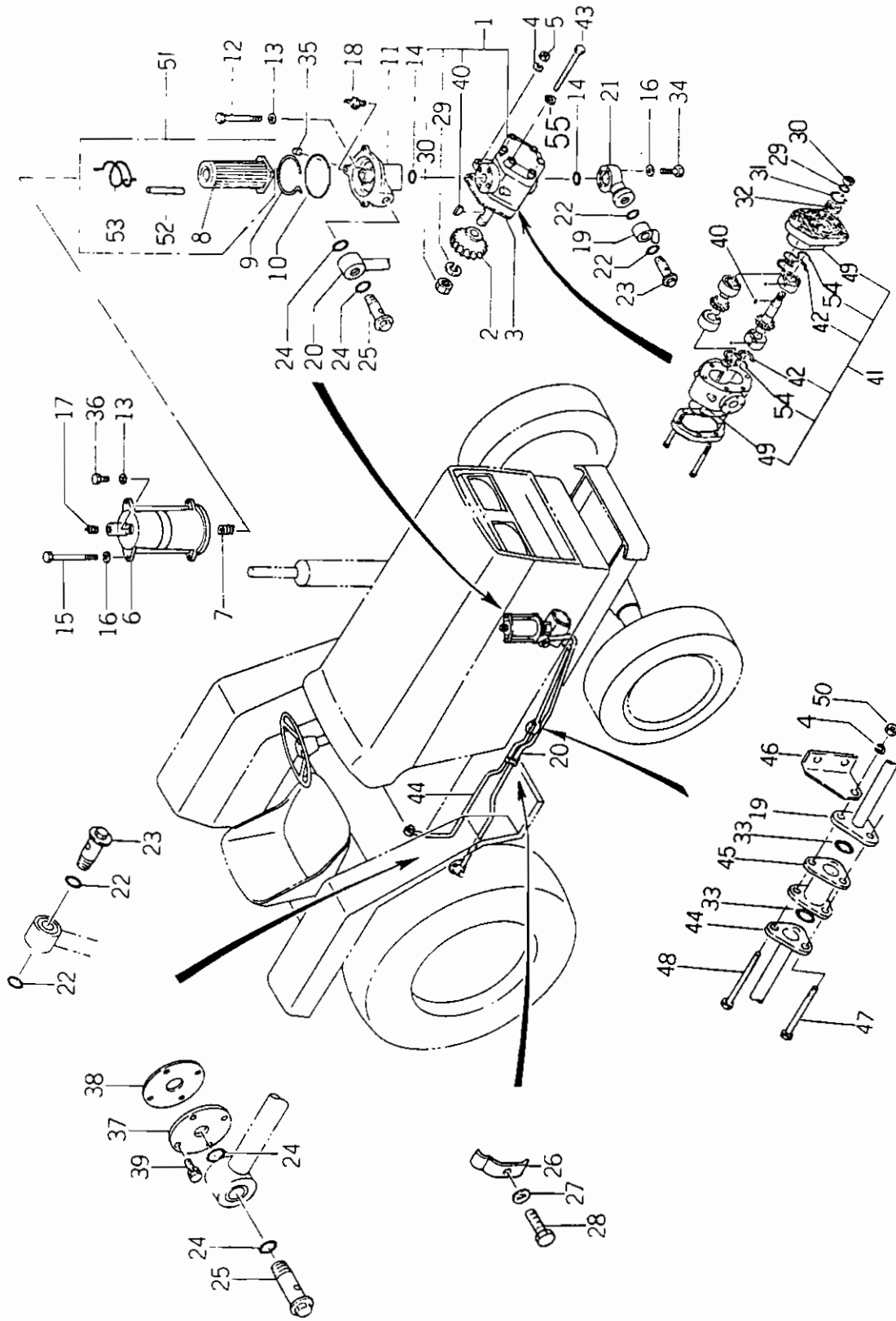
REF.NO.	CODE NO.	PART	NAME	Qty										REMARKS		
				S D 4300	S D 4340	S D 4500	S D 4540	S D 5000T	S D 5040T	Min.Qty						
29	02710 0012	SPRING WASHER			1	1	1	1	1							
30	02010 9001	NUT			1	1	1	1	1							
31	34049 0152	SNAP RING			1	1	1	1	1							
32	34049 0151	OIL SEAL			1	1	1	1	1							
33	05211 0200	O-RING			2	2	2	2	2							HARD
34	01010 0640	BOLT			3	3	3	3	3							
35	06450 0010	PLUG; PT 1/8			1	1	1	1	1							
36	01010 0610	BOLT			1	1	1	1	1							
37	34056 0180	FLANGE			1	1	1	1	1							
38	32499 0070	GASKET			1	1	1	1	1							(a) ϕ
38	32499 0071	GASKET			1	1	1	1	1							(b)
39	01130 0825	BOLT			4	4	4	4	4							
40	03430 3013	KEY			1	1	1	1	1							
41	34049 0157	SEAL KIT			1	1	1	1	1							
42	34049 0153	SEAL ELEMENT			2	2	2	2	2							
43	01031 0800	BOLT			2	2	2	2	2							
44	34060 4760	OIL PIPE			1	1	1	1	1							
45	34063 0700	JOINT			1	1	1	1	1							
46	39910 0460	CLAMP			1	1	1	1	1							
47	01011 0890	BOLT			2	2	2	2	2							
48	01011 0895	BOLT			1	1	1	1	1							
49	34049 0156	O-RING			2	2	2	2	2							
50	02010 0008	NUT			3	3	3	3	3							
51	34050 0330	STRAINER			1	1	1	1	1							
52	32491 0020	MAGNET			5	5	5	5	5							
53	39821 2110	SPRING			1	1	1	1	1							
54	34049 0154	BAHCK UP ELEMENT			2	2	2	2	2							
55	02510 0008	SEAL WASHER			1	1	1	1	1							

BINDER NO.
ISP3002



51A. HYDRAULIC PUMP, STRAINER

SD5000T 50001~
SD5040T 50001~



(1 - 230A)

SUPPLEMENT NO.	No. 5 - AUGUST, 1985
----------------	----------------------

BINDER NO.	ISP3002
------------	---------



51A. HYDRAULIC PUMP, STRAINER

SD5000T 50001 ~
SD5040T 50001 ~

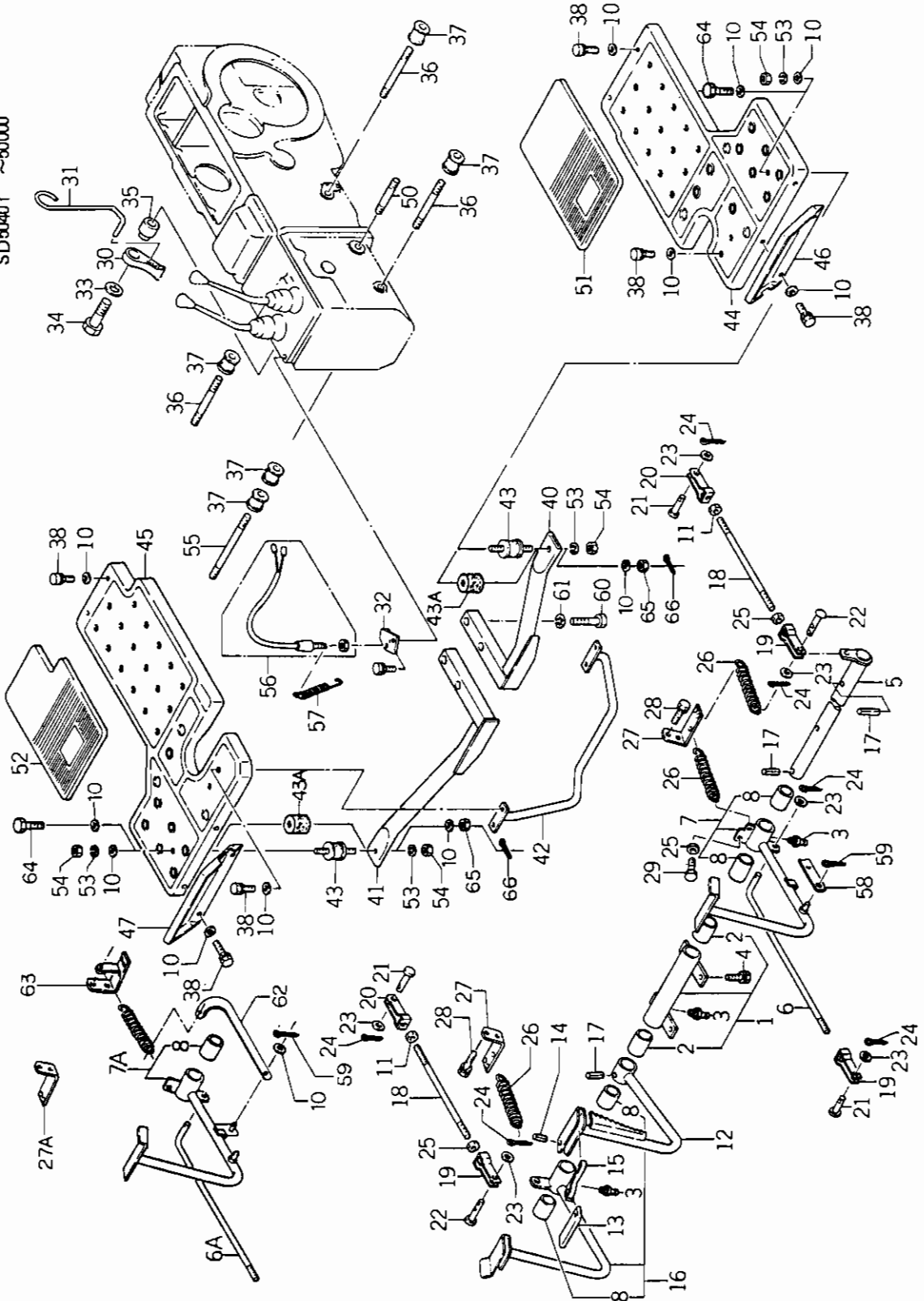
管理コード

REF.NO	CODE NO.	PART	NAME	Qty								REMARKS	
				S	D	S	D	S	D	S	D		
(a)	SD4500	~10037	10038~	4300	4340	4500	4540	5000T	5040T	5000T	5040T	Min.Qty	
	SD4540	~10037		S	D	S	D	S	D	S	D		
(b)	SD5000T	~50165	50166~	4300	4340	4500	4540	5000T	5040T	5000T	5040T	Min.Qty	
	SD5040T	~50189		S	D	S	D	S	D	S	D		
(b)	SD4500	~10037	10038~	4300	4340	4500	4540	5000T	5040T	5000T	5040T	Min.Qty	
	SD4540	~10037		S	D	S	D	S	D	S	D		
(b)	SD5000T	~50165	50166~	4300	4340	4500	4540	5000T	5040T	5000T	5040T	Min.Qty	
	SD5040T	~50189		S	D	S	D	S	D	S	D		



52. PEDALS, STEPS

SD5000T ~50000
SD5040T ~50000



BINDER NO.
ISP3002

SUPPLEMENT NO.



52. PEDALS, STEPS

SD5000T ~50000
SD5040T ~50000

管理コード

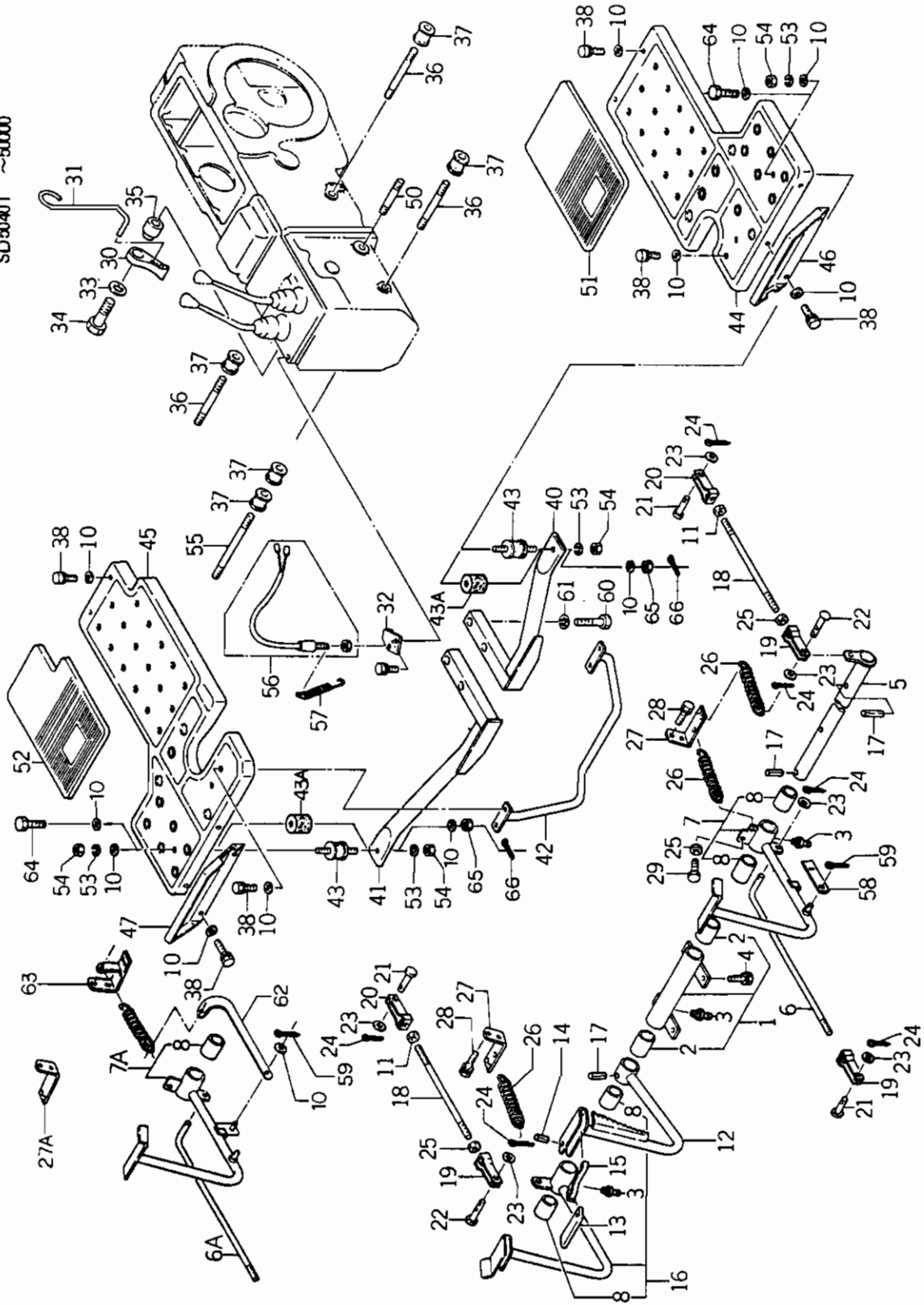
REF.NO.	CODE NO.	PART NAME	Q'ty												REMARKS	
			S	D	S	D	S	D	S	D	S	D	S	D		
1	35802 0110	PEDAL SUPPORT ASS'Y	1	1										1	1	
2	39851 1060	BUSH	2	2										2	2	
3	06061 0000	GREASE NIPPLE	3	3										3	3	
4	01131 1025	BOLT	4	4										4	4	
5	35820 0250	PEDAL SHAFT	1	1										1	1	
6	35851 0540	ROD	1	1										1	1	(a)
6A	35851 0580	ROD	1	1										1	1	(b)
7	35801 0530	PEDAL ASS'Y	1	1										1	1	(a)
7A	35801 0720	PEDAL ASS'Y	1	1										1	1	(b)
8	39851 1050	BUSH	4	4										4	4	
10	02610 0008	WASHER	17	17										17	17	
11	02010 9004	NUT	2	2										2	2	
12	35810 0790	PEDAL; L.H	1	1										1	1	
13	39958 0710	LEVER	1	1										1	1	
14	03030 0820	SPRING PIN	1	1										1	1	
15	39821 0570	SPRING	1	1										1	1	
16	35801 0540	PEDAL ASS'Y; R.H	1	1										1	1	
17	03030 0840	SPRING PIN	3	3										3	3	
18	35851 0520	ROD	2	2										2	2	
19	35855 0110	FORK JOINT; R H	3	3										3	3	
20	35855 0100	FORK JOINT; L.H	2	2										2	2	
21	03131 1025	PIN	3	3										3	3	
22	39961 0240	PIN	2	2										2	2	
23	02610 0010	WASHER	6	6										6	6	
24	03010 3025	SPLIT PIN	6	6										6	6	
25	02010 0010	NUT	3	3										3	3	
26	39821 0290	SPRING	3	3										3	3	
27	35838 0171	SPRING HOLDER	2	2										2	2	(a)
27A	35838 0280	SPRING HOLDER	1	1										1	1	(b)
28	01130 0820	BOLT	4	4										4	4	

BINDER NO. ISP3002	SUPPLEMENT NO.
-----------------------	----------------



52. PEDALS, STEPS

SD5000T ~50000
SD5040T ~50000



BINDER NO.
ISP3002

(1 - 233)

SUPPLEMENT NO.



52. PEDALS, STEPS

SD5000T ~50000
SD5040T ~50000

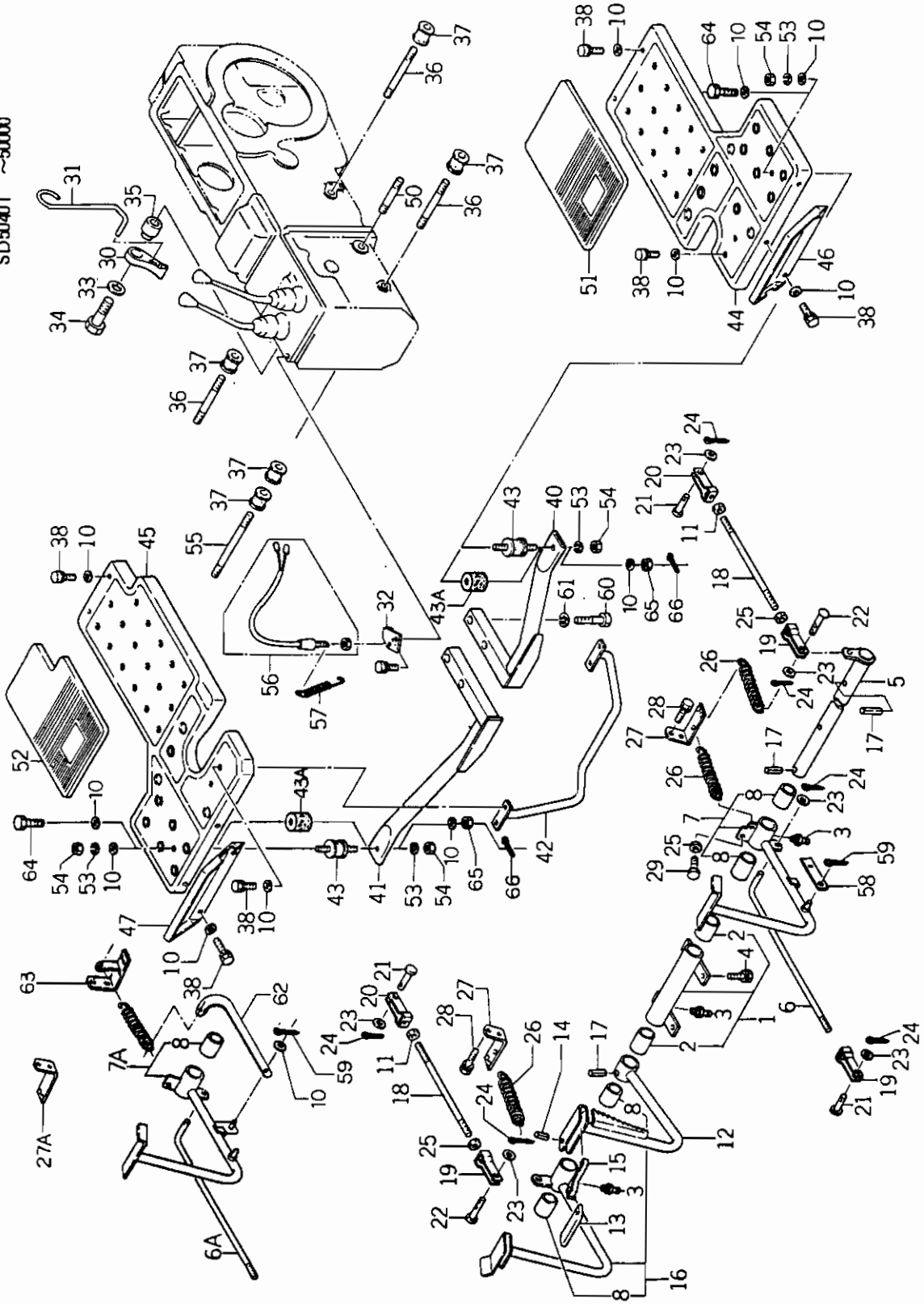
管理コード

REF.NO.	CODE NO.	PART	NAME	Qty												REMARKS
				S 4300	S 4340	S 4500	S 4540	S 5000T	S 5040T	S 5000T	S 5040T	S 5000T	S 5040T	Min.Qty		
29	01010 9087	BOLT		1	1					1	1					
30	35831 0070	BRAKE LOCK		1	1					1	1					
31	35831 0080	LOCK LEVER		1	1					1	1					
32	39956 0411	PLATE		1	1					1	1					
33	02610 0016	WASHER		1	1					1	1					
34	01011 1660	BOLT		1	1					1	1					
35	35813 0150	BOSS		1	1					1	1					
36	01210 9163	STUD BOLT		3	3					3	3					
37	39811 2060	RUBBER		5	5					5	5					
38	01130 0816	BOLT		12	12					12	12					
40	3550 0361	STEP SUPPORT; L.H		1	1					1	1					
41	35550 0351	STEP SUPPORT; R.H		1	1					1	1					
42	35550 0341	STEP SUPPORT		1	1					1	1					(c)
43	39811 0050	RUBBER		2	2					2	2					(d)
43A	39811 3390	RUBBER		2	2					2	2					
44	35560 0352	STEP; L.H		1	1					1	1					
45	35560 0342	STEP; R.H		1	1					1	1					
46	35561 0640	STEP; GUARD L.H		1	1					1	1					
47	35561 0650	STEP; GUARD R.H		1	1					1	1					
50	01210 1680	STUD BOLT		1	1					1	1					
51	39811 2280	RUBBER; L.H		1	1					1	1					
52	39811 2270	RUBBER; R.H		1	1					1	1					
53	02710 0008	SPRING WASHER		4	4					4	4					(c)
54	02010 0008	NUT		4	4					4	4					
55	01210 9078	STUD BOLT		1	1					1	1					
56	38520 0170	SWITCH ASS'Y		1	1					1	1					
57	39821 0660	SPRING		1	1					1	1					
58	39958 0591	PLATE		1	1					1	1					
59	03010 2020	SPLIT PIN		2	2					2	2					(b)
60	01011 1655	BOLT		4	4					4	4					



52. PEDALS, STEPS

SD5000T ~50000
SD5040T ~50000



BINDER NO.
ISP3002

SUPPLEMENT NO.



52. PEDALS, STEPS

SD5000T ~50000
SD5040T ~50000

管理コード

REF.NO.	CODE NO.	PART	NAME	Q'ty										REMARKS			
				SD 4300	SD 4340	SD 4500	SD 4540	SD 5000T	SD 5040T	SD 4300	SD 4340	SD 4500	SD 4540		SD 5000T	SD 5040T	
61	02710 0016	SPRING WASHER		4	4							4	4				
62	38546 0060	LINK		1	1							1	1				(b)
63	35835 0100	SPRING WASHER		1	1							1	1				(b)
64	39943 0580	BOLT		2	2							2	2				(d)
65	02010 0008	NUT		2	2							2	2				(d)
66	03010 2015	SPLIT PIN		2	2							2	2				(d)
	{ SD4300 ~15211 SD4340 ~16065 SD5000T ~15211 SD5040T ~16095 }	{ SD4300 15212~ SD4340 16066~ SD5000 15112~ SD5040T 16096~ }	{ SD4300 ~15213 SD4340 ~16515 SD5000T ~15213 SD5040T ~16541 }	{ SD4300 15214~ SD4340 16516~ SD5000T 15214~ SD5040T 16542~ }													

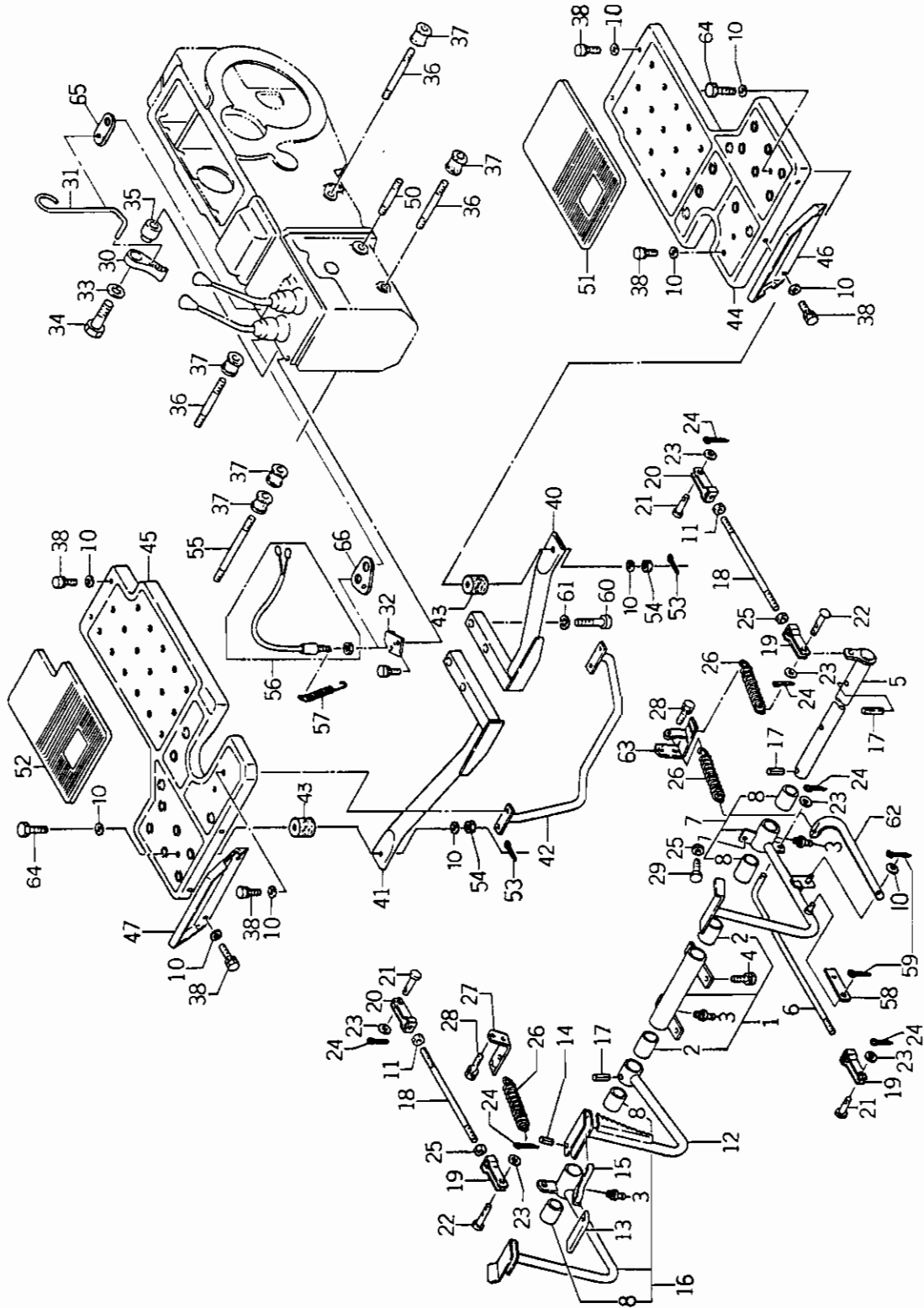
BINDER NO.
ISP3002

SUPPLEMENT NO.



52A. PEDALS, STEPS

SD5000T 50001~
SD5040T 50001~



BINDER NO.
I SP 3002

SUPPLEMENT NO.

52A. PEDALS, STEPS



SD5000T 50001 ~
SD5040T 50001 ~

管理コード

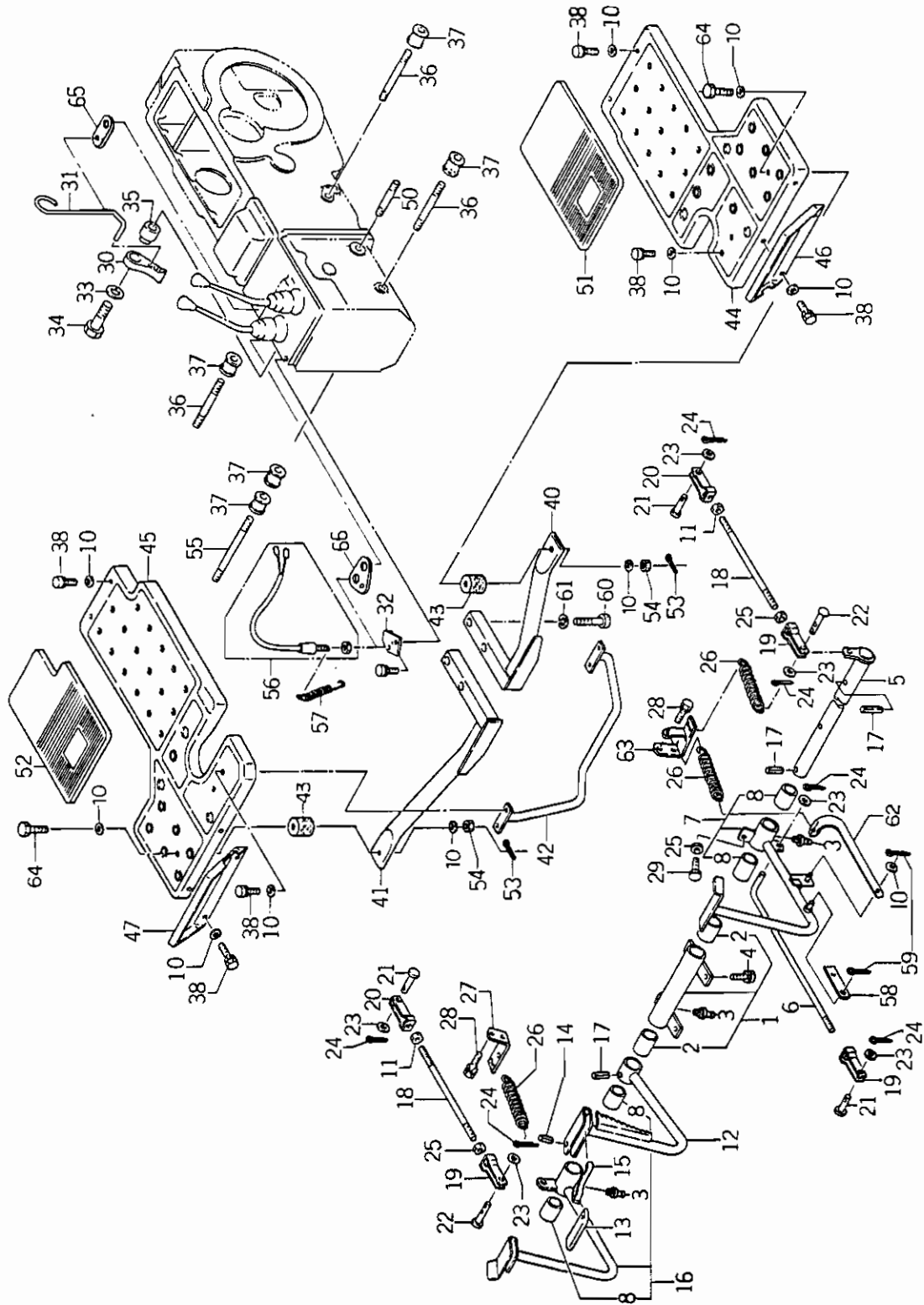
REF.NO.	CODE NO.	PART	NAME	Qty										REMARKS		
				S	D	S	D	S	D	S	D	S	D			
1	35802 0110	PEDAL SUPPORT ASS Y		4300	4340	4500	4540	5000T	5040T							
2	39851 1060	BUSH				1	2	2	2							
3	06061 0000	GREASE NIPPLE				3	3	3	3							
4	01131 1025	BOLT				4	4	4	4							
5	35820 0250	PEDAL SHAFT				1	1	1	1							
6	35851 0730	ROD				1	1	1	1							
7	35801 0720	PEDAL ASS Y				1	1	1	1							
8	39851 1050	BUSH				4	4	4	4							
10	02610 0008	WASHER				17	17	17	17							
11	02010 9004	NUT				2	2	2	2							
12	35810 0790	PEDAL; L.H				1	1	1	1							
13	39958 0710	LEVER				1	1	1	1							
14	03030 0820	SPRING PIN				1	1	1	1							
15	39821 0570	SPRING				1	1	1	1							
16	35801 0540	PEDAL ASS'Y; R H				1	1	1	1							
17	03030 0840	SPRING PIN				3	3	3	3							
18	35851 0520	ROD				2	2	2	2							
19	35855 0110	FORK JOINT; R H				3	3	3	3							
20	35855 0100	FORK JOINT; L H				2	2	2	2							
21	03131 1025	PIN				3	3	3	3							
22	39961 0240	PIN				2	2	2	2							
23	02610 0010	WASHER				6	6	6	6							
24	03010 3025	SPLIT PIN				6	6	6	6							
25	02010 0010	NUT				3	3	3	3							
26	39821 0290	SPRING				3	3	3	3							
27	35838 0280	SPRING HOLDER				1	1	1	1							
28	01130 0820	BOLT				4	4	4	4							
29	01010 9087	BOLT				1	1	1	1							
30	35831 0070	BRAKE LOCK				1	1	1	1							
31	35831 0080	LOCK LEVER				1	1	1	1							

BINDER NO.	IS P 3 0 0 2
SUPPLEMENT NO.	



52A. PEDALS, STEPS

SD5000T 50001~
SD5040T 50001~



BINDER NO.
ISP3002

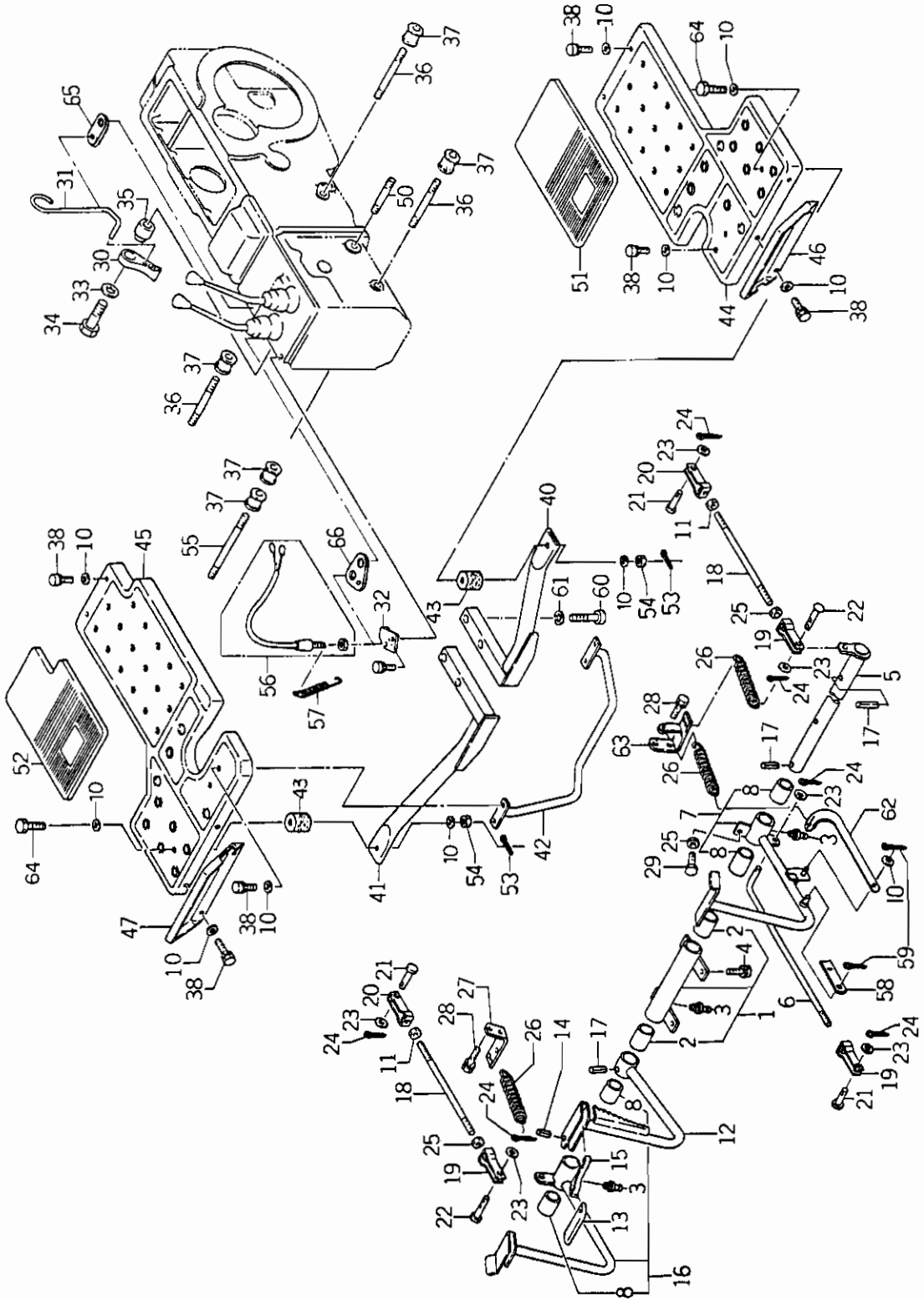
(1 - 239)

SUPPLEMENT NO.



52A. PEDALS, STEPS

SD5000T 50001~
SD5040T 50001~



	SUPPLEMENT NO.
--	----------------

(1 - 241)

BINDER NO.	1SP3002
------------	---------



53. PLATE, LEGULATOR

管理コード

REF.NO.	CODE NO.	PART	NAME	Qty										REMARKS	
				4300	4340	4500	4540	5000T	5040T	SD	SD	SD	SD		
2	39811 0240	RUBBER		1	1	1	1	1	1	1	1	1	1	1	
3	01131 0816	BOLT		2	2	2	2	2	2	2	2	2	2	2	
7	02610 0008	WASHER		1	1	1	1	1	1	1	1	1	1	1	
8	39811 1680	RUBBER		1	1	1	1	1	1	1	1	1	1	1	
9	39811 1690	RUBBER		1	1	1	1	1	1	1	1	1	1	1	
10	39834 0240	CLIP		6	6	6	6	6	6	6	6	6	6	6	
15	39811 1640	RUBBER		4	4	4	4	4	4	4	4	4	4	4	
16	02010 0008	NUT		6	6	6	6	6	6	6	6	6	6	6	
17	35020 0061	HANGER		1	1	1	1	1	1	1	1	1	1	1	
18	35020 0050	HANGER		1	1	1	1	1	1	1	1	1	1	1	
19	39821 1830	SPRING		1	1	1	1	1	1	1	1	1	1	1	
20	01010 9173	BOLT		1	1	1	1	1	1	1	1	1	1	1	
21	38523 0040	FLASHER UNIT		1	1	1	1	1	1	1	1	1	1	1	
22	01515 0616	SCREW		3	3	4	4	4	4	4	4	4	4	4	
23	18551 6030	LEGULATOR		1	1	1	1	1	1	1	1	1	1	1	
24	38540 0130	FUSE BOX ASS'Y		1	1	1	1	1	1	1	1	1	1	1	
25	38541 0010	FUSE: 15A		4	4	4	4	4	4	4	4	4	4	4	
25	38541 0030	FUGE: 5A		2	2	2	2	2	2	2	2	2	2	2	
26	01514 0616	SCREW		2	2	2	2	2	2	2	2	2	2	2	
29	01115 0612	BOLT		13	13	13	13	13	13	13	13	13	13	13	
30	01130 0816	BOLT		4	4	4	4	4	4	4	4	4	4	4	
32	31035 0100	PLATE		1	1	1	1	1	1	1	1	1	1	1	
33	35020 0101	HANGER													
34	35020 0091	HANGER													
35	35022 0100	SET PLATE													
36	38595 0101	BRACKET		1	1	1	1	1	1	1	1	1	1	1	
37	01114 0612	BOLT		2	2	2	2	2	2	2	2	2	2	2	
38	38587 0300	CONTROLLER													(a)

} SD5000T 5040T
Look to section No.4

(a)

(a) { SD5000T 50001~
SD5040T 50001~

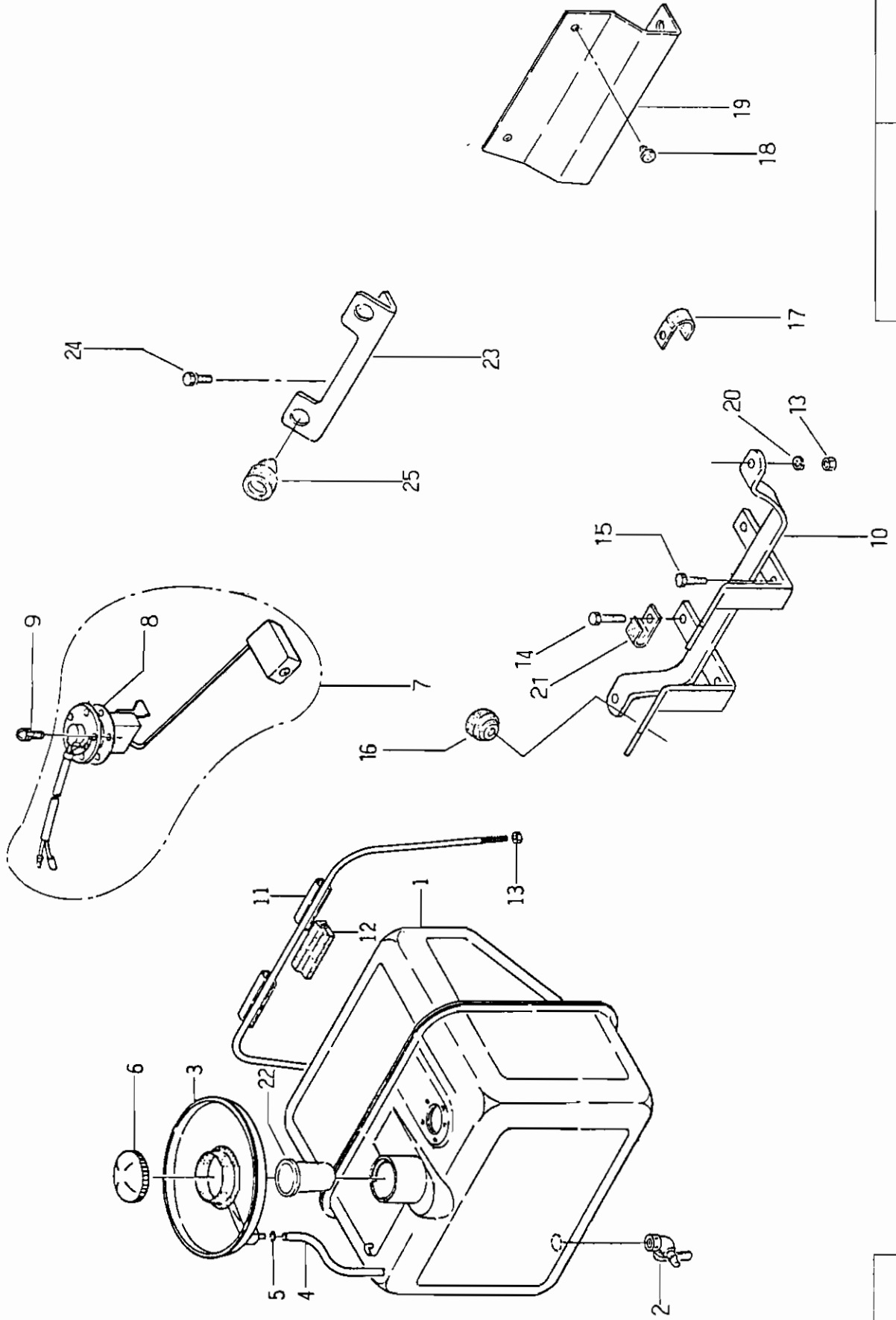
BINDER NO.
ISP3002

(1 - 244)

SUPPLEMENT NO.



54. FUEL TANK

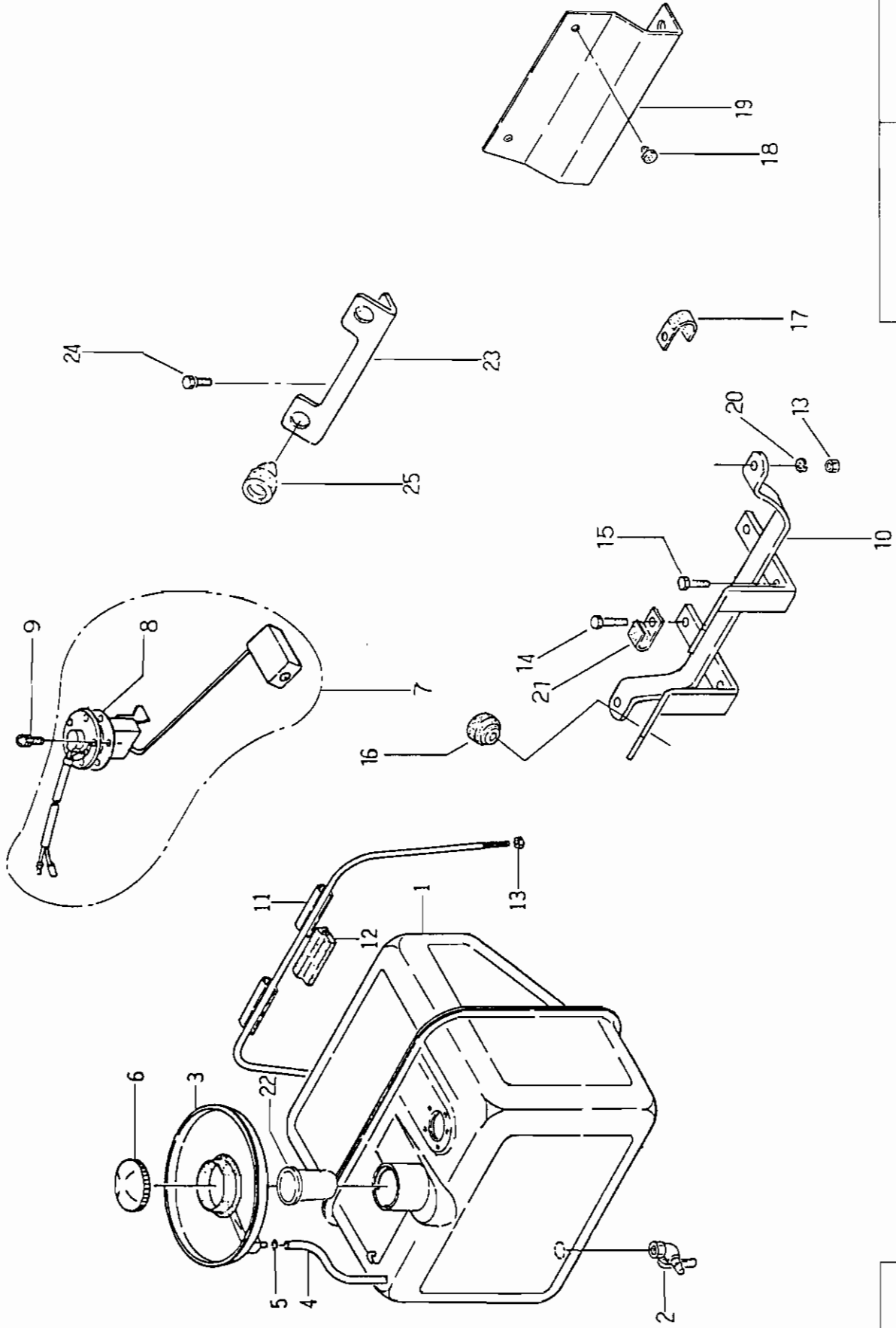


BINDER NO.
1 SP 3 0 0 2

SUPPLEMENT NO.



54. FUEL TANK



BINDER NO.
ISP3002

SUPPLEMENT NO.



54. FUEL TANK

管理コード

REFNO.	CODE NO.	PART	NAME	Qty							Min.Qty	REMARKS
				SD 4300	SD 4340	SD 4500	SD 4540	SD 5000T	SD 5040T	SD		
	(a) SD5040T ~15621	(b) SD5040T 15622~										

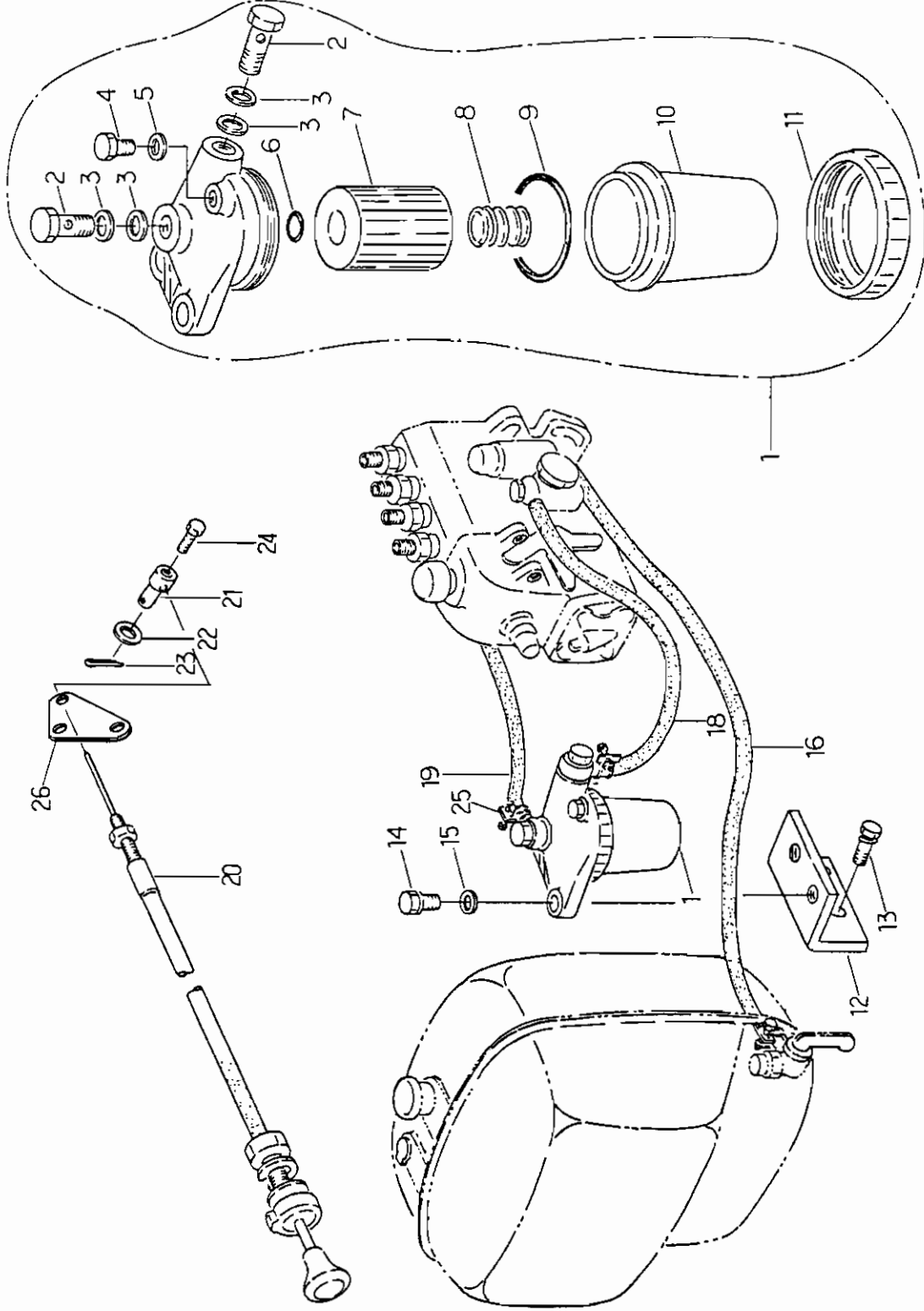
BINDER NO.
1SP3002

(1 - 248)

SUPPLEMENT NO.



55. FUEL SYSTEM



BINDER NO.
1 SP 3 0 0 2

SUPPLEMENT NO.



55. FUEL SYSTEM

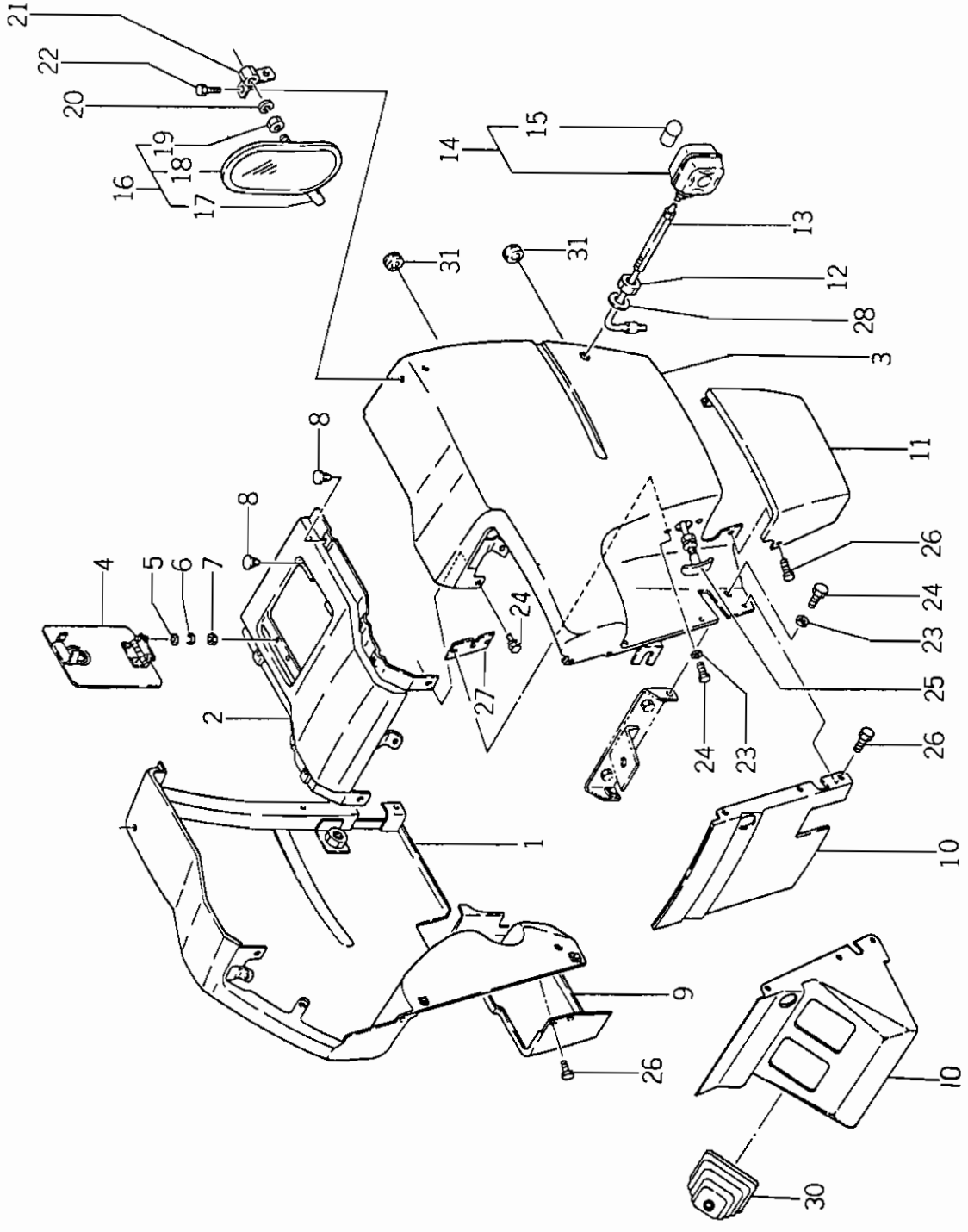
管理コード

REF.NO.	CODE NO.	PART	NAME	Qty										Min.Qty	REMARKS	
				S	D	S	D	S	D	S	D	S	D			
1	13030 6061	FUEL FILTER ASS'Y		1	1	1	1	1	1	1	1	1	1	1		
2	13043 6020	JOINT BOLT		2	2	2	2	2	2	2	2	2	2	2		
3	13044 6010	SEAL PACKING		4	4	4	4	4	4	4	4	4	4	4		
4	13044 6080	PLUG; M6		1	1	1	1	1	1	1	1	1	1	1		
5	13032 6120	GASKET		1	1	1	1	1	1	1	1	1	1	1		
6	05210 0160	O-RING		1	1	1	1	1	1	1	1	1	1	1		
7	13036 6050	ELEMENT		1	1	1	1	1	1	1	1	1	1	1		
8	13044 6040	SPRING		1	1	1	1	1	1	1	1	1	1	1		
9	05230 0650	O-RING		1	1	1	1	1	1	1	1	1	1	1		
10	13033 6040	FILTER CUP		1	1	1	1	1	1	1	1	1	1	1		
11	13044 6030	NUT		1	1	1	1	1	1	1	1	1	1	1		
12	36051 0490	HOLDER		1	1	1	1	1	1	1	1	1	1	1		
13	01130 1020	BOLT		2	2	2	2	2	2	2	2	2	2	2		
14	01130 1025	BOLT		2	2	2	2	2	2	2	2	2	2	2		
15	02610 0010	WASHER		2	2	2	2	2	2	2	2	2	2	2		
16	36075 0540	FUEL PIPE ASS'Y		1	1	1	1	1	1	1	1	1	1	1		
18	36075 0380	FUEL PIPE ASS'Y		1	1	1	1	1	1	1	1	1	1	1		
18	36075 0450	FUEL PIPE ASS'Y		1	1	1	1	1	1	1	1	1	1	1		
19	36075 0070	FUEL PIPE ASS'Y		1	1	1	1	1	1	1	1	1	1	1		
19	36075 0071	FUEL PIPE ASS'Y		1	1	1	1	1	1	1	1	1	1	1		
19	36075 0730	FUEL PIPE ASS'Y		1	1	1	1	1	1	1	1	1	1	1		
20	31270 0160	WIRE		1	1	1	1	1	1	1	1	1	1	1		
20	31270 0340	WIRE		1	1	1	1	1	1	1	1	1	1	1		
21	12533 0070	SET PIECE		1	1	1	1	1	1	1	1	1	1	1		
22	02610 0006	WASHER		1	1	1	1	1	1	1	1	1	1	1		
23	03010 2015	SPLIT PIN		1	1	1	1	1	1	1	1	1	1	1		
24	01110 0406	BOLT		1	1	1	1	1	1	1	1	1	1	1		
25	39875 0310	BAND		2	2	2	2	2	2	2	2	2	2	2		
26	31274 0150	HOLDER		1	1	1	1	1	1	1	1	1	1	1		

⌀ Mar. 1986



56. DASH BOARD PANEL



BINDER NO.
ISP3002

(1 - 251)

SUPPLEMENT NO.



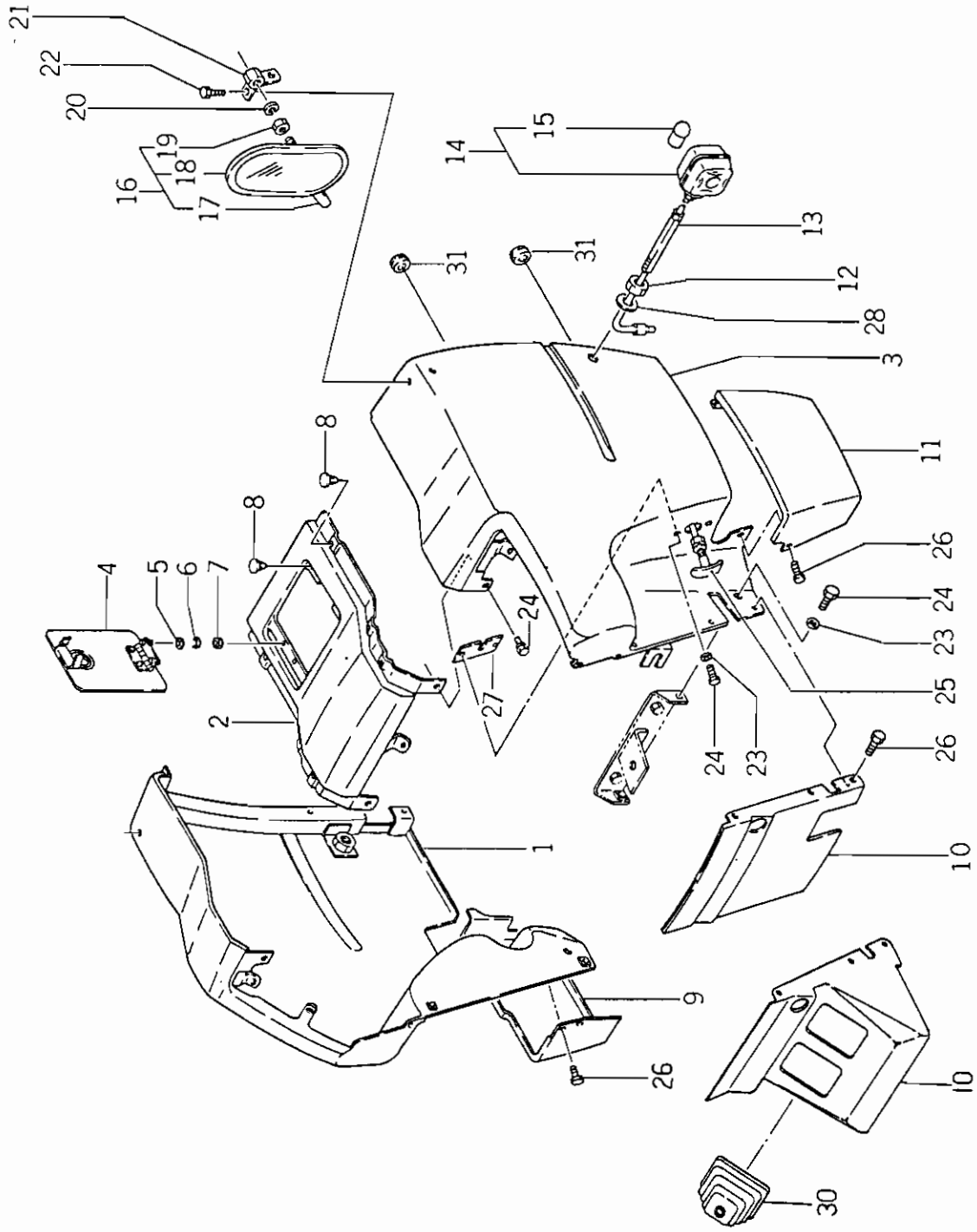
56. DASH BOARD PANEL

管理コード

REF.NO.	CODE NO.	PART	NAME	Qty												REMARKS
				S	D	S	D	S	D	S	D	S	D	S	D	
1	35015 0071	SIDE PLATE; L.H		1	1	1	1	1	1	1	1	1	1	1	1	
2	35010 0580	BONNET		1	1	1	1	1	1	1	1	1	1	1	1	
3	35015 0121	SIDE PLATE; R.H		1	1	1	1	1	1	1	1	1	1	1	1	(a)
3	35015 0062	SIDE PLATE; R.H		1	1	1	1	1	1	1	1	1	1	1	1	(b)
4	35075 0310	COVER		1	1	1	1	1	1	1	1	1	1	1	1	
5	02610 0004	WASHER		2	2	2	2	2	2	2	2	2	2	2	2	
6	02710 0004	SPRING WASHER		6	6	2	2	2	2	2	2	2	2	2	2	
7	02010 0004	NUT		2	2	2	2	2	2	2	2	2	2	2	2	
8	39811 0110	RUBBER		8	8	8	8	8	8	8	8	8	8	8	8	
9	35076 0970	COVER; L.H		1	1	1	1	1	1	1	1	1	1	1	1	
10	35076 0701	COVER		1	1	1	1	1	1	1	1	1	1	1	1	
10	32418 0400	LEVER GUIDE; SYNCHRO		1	1	1	1	1	1	1	1	1	1	1	1	
11	35076 0980	COVER; R.H		1	1	1	1	1	1	1	1	1	1	1	1	
12	02010 0016	NUT		2	2	2	2	2	2	2	2	2	2	2	2	
13	35540 0090	LIGHT HOLDER		2	2	2	2	2	2	2	2	2	2	2	2	
14	38510 0571	LAMP ASS'Y		2	2	2	2	2	2	2	2	2	2	2	2	
15	38512 0240	BULB; 12V-15W		2	2	2	2	2	2	2	2	2	2	2	2	
16	38505 0120	BACK MIRROR ASS'Y		2	2	2	2	2	2	2	2	2	2	2	2	
17	38551 0170	ROD		2	2	2	2	2	2	2	2	2	2	2	2	
18	38555 0080	BACK MIRROR		2	2	2	2	2	2	2	2	2	2	2	2	
19	02010 0012	NUT		2	2	2	2	2	2	2	2	2	2	2	2	
20	02710 0012	SPRING WASHER		2	2	2	2	2	2	2	2	2	2	2	2	
21	38550 0161	MIRROR STAY		2	2	2	2	2	2	2	2	2	2	2	2	
22	01130 0820	BOLT		4	4	4	4	4	4	4	4	4	4	4	4	
23	02610 0008	WASHER		4	4	4	4	4	4	4	4	4	4	4	4	
24	01130 0816	BOLT		6	6	6	6	6	6	6	6	6	6	6	6	
25	31270 0170	WIRE		1	1	1	1	1	1	1	1	1	1	1	1	
26	01115 0612	BOLT		8	8	8	8	8	8	8	8	8	8	8	8	
27	35085 0270	BRACKET		1	1	1	1	1	1	1	1	1	1	1	1	
28	02610 0016	WASHER		2	2	2	2	2	2	2	2	2	2	2	2	



56. DASH BOARD PANEL

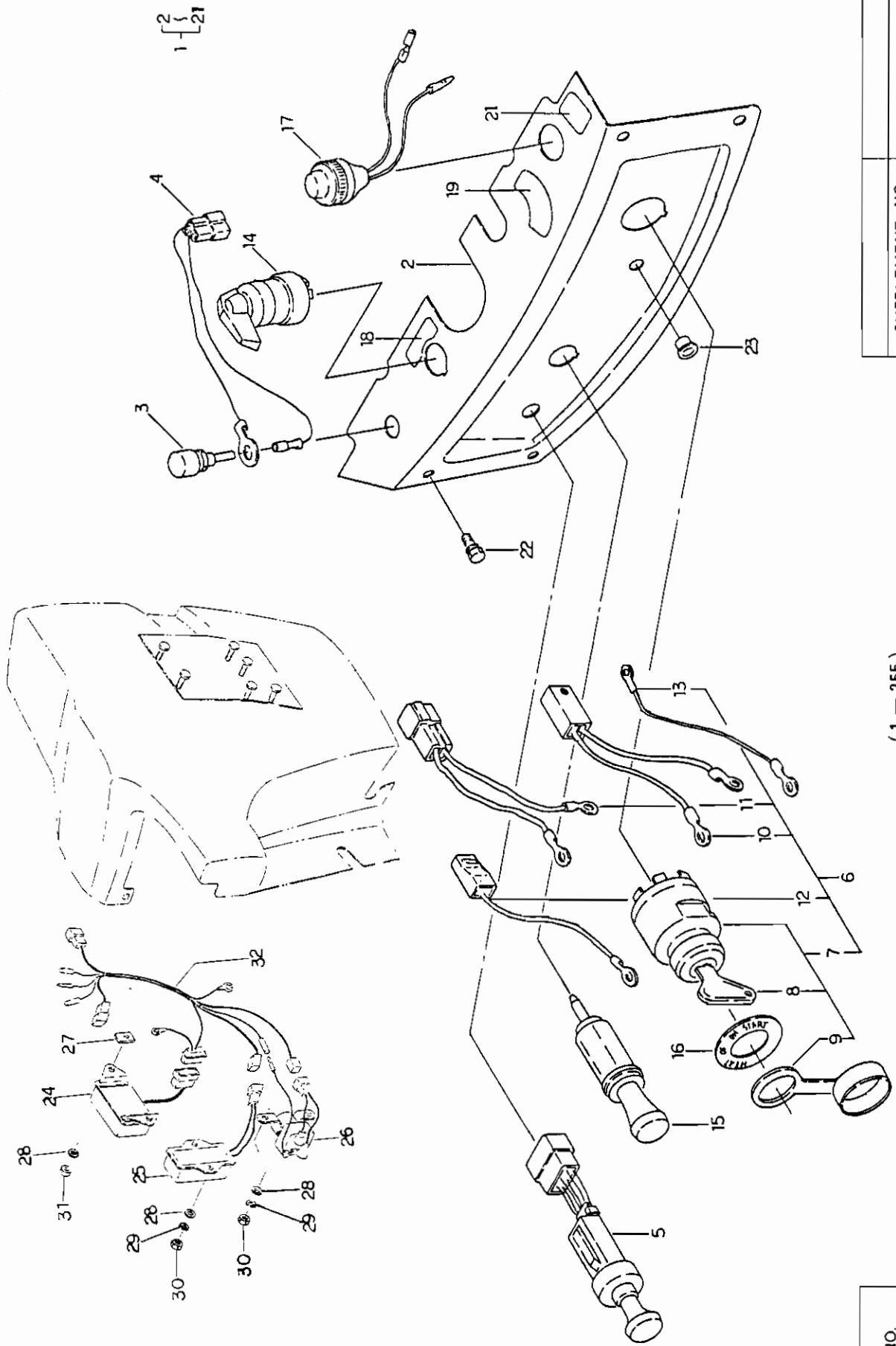


BINDER NO.
ISP3002

SUPPLEMENT NO.



57. DASH BOARD WITH QUICK STARTER



BINDER NO.
1 SP3002

(1 - 255)

SUPPLEMENT NO.



57. DASH BOARD WITH QUICK STARTER

管理コード

REF.NO.	CODE NO.	PART	NAME	Qty										REMARKS		
				S	D	S	D	S	D	S	D	S	D			
1	35007 0243	DASH BOARD ASS'Y		1	1											(a)
1	35007 0253	DASH BOARD ASS'Y				1										(b)
1	35007 0500	DASH BOARD ASS'Y					1									
1	35007 0510	DASH BOARD ASS'Y		1	1											
2	35071 0330	DASH BOARD		1	1											
3	38520 0191	SWITCH; HORN		1	1											
4	38560 2800	WIRE HARNESS		1	1											
5	38520 0610	SWITCH; LIGHT		1	1											
6	38520 0631	SWITCH ASS'Y; STARTER		1	1											(a)
6	38520 1020	SWITCH ASS'Y; STARTER		1	1											(b)
7	38520 0101	SWITCH ASS'Y		1	1											
8	38521 0020	KEY		2	2											
9	38580 0011	KEY CAP		1	1											
10	38560 3910	WIRE HARNESS		1	1											(a)
10	38560 5450	WIRE HARNESS		1	1											(b)
11	38560 2820	WIRE HARNESS				1										(a)
12	38560 3651	WIRE HARNESS		1	1											(b)
12	38560 5440	WIRE HARNESS		1	1											(a)
13	38560 3681	WIRE HARNESS		1	1											(b)
13	38560 1930	WIRE HARNESS		1	1											
14	38520 0531	SWITCH; TURN		1	1											
15	38575 0011	CIGER LIGHTER		1	1											
16	39019 0030	CAUTION PLATE		1	1											
17	38510 0401	LAMP; GLOW		1	1											
18	39019 2190	CAUTION PLATE		1	1											
19	39043 0140	INDICATING PLATE		1	1											
19	39043 0150	INDICATING PLATE		1	1											
21	39019 1650	CAUTION PLATE		1	1											
22	01115 0612	BOLT		4	4											
23	39846 0040	BLANK PLUG		1	1											

BINDER NO.
ISP3002

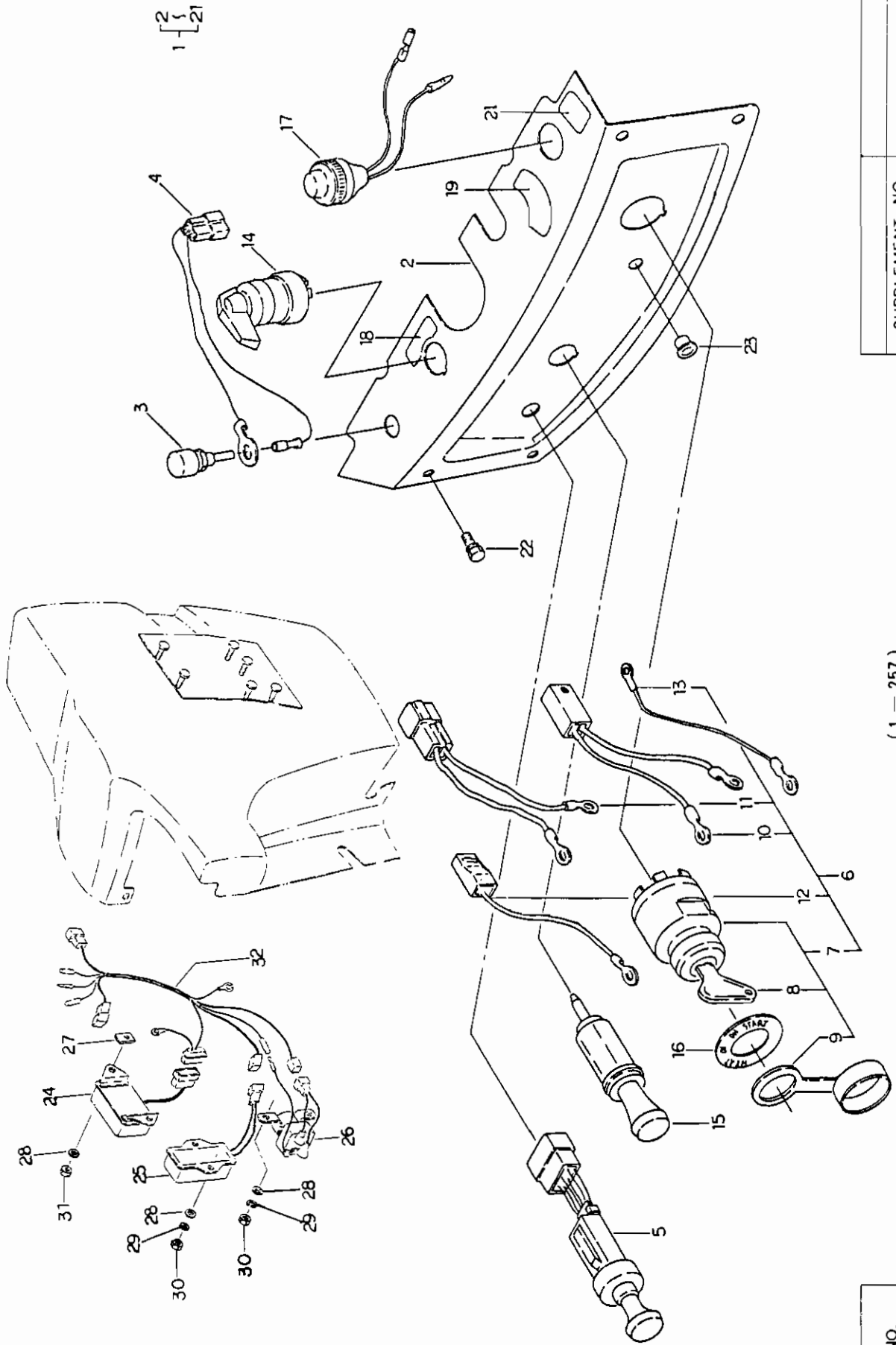
(1 - 256)

SUPPLEMENT NO.

No.5 - AUGUST, 1985



57. DASH BOARD WITH QUICK STARTER



(1 - 257)

BINDER NO.
1 S P 2 0 0 2

SUPPLEMENT NO.

57. DASH BOARD WITH QUICK STARTER

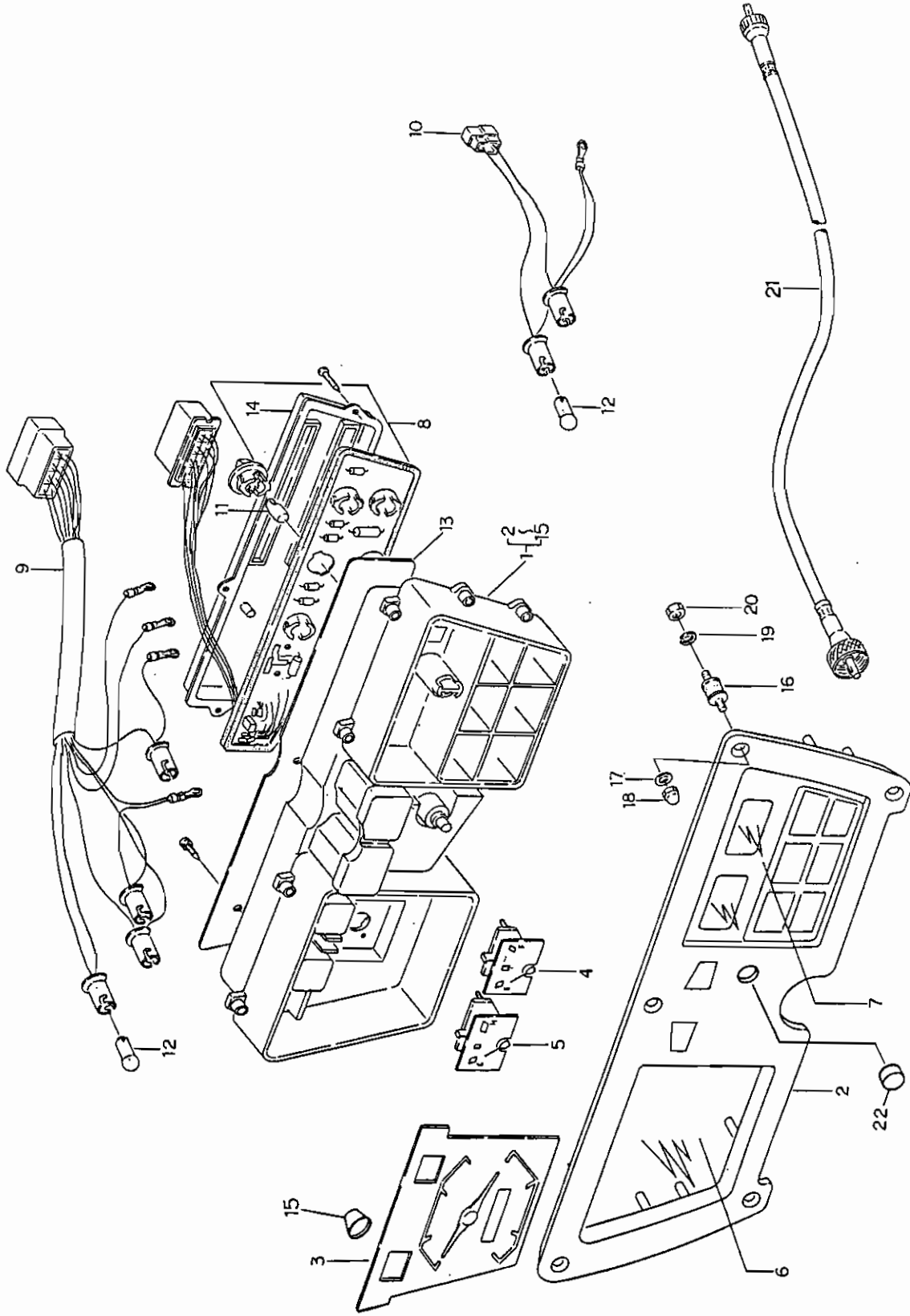


管理コード

REF.NO.	CODE NO.	PART	NAME	Qty										REMARKS		
				SD 4300	SD 4340	SD 4500	SD 4540	SD 5000T	SD 5040T	SD 5000T	SD 5040T	SD 5000T	SD 5040T		Min.Qty	
24	38587 0090	CONTROLLER		1	1			1								(a)
25	38666 0010	RESISTOR		1	1			1								(a)
26	38523 0080	RELAY		1	1			1								(a)
27	39811 2230	RUBBER WASHER		2	2			2								(a)
28	02610 0006	SPRING WASHER		6	6			6								(a)
29	02710 0006	NUT		4	4			4								(a)
30	02010 0006	U-NUT		4	4			4								(a)
31	02240 0006	WIRE HARNESS		2	2			2								(a)
32	38560 3691			1	1			1								(a)
				(a) { SD5000T ~50000 SD5040T ~50000	(b) { SD5000T 50001 ~ SD5040T 50001 ~											



58. COMBINATION METER



ハインダー NO.
BINDER NO.
ISP3002

改訂番号年月
SUPPLEMENT NO. No 8 - FEBRUARY, 1987



58. COMBINATION METER

管理コード

REF.NO.	CODE NO.	PART	NAME	Qty										Min.Qty	REMARKS	
				S	D	S	D	S	D	S	D	S	D			
1	38504 0050	METER ASS'Y		1	1	1	1	1	1	1	1	1	1	1		
2	38547 0100	HOOD		1	1	1	1	1	1	1	1	1	1	1		
3	38547 0113	TACHOMETER ASS'Y		1	1	1	1	1	1	1	1	1	1	1		
4	38547 0102	GUAGE ASS'Y		1	1	1	1	1	1	1	1	1	1	1		
5	38547 0103	GUAGE ASS'Y		1	1	1	1	1	1	1	1	1	1	1		
6	38547 0104	GLASS		1	1	1	1	1	1	1	1	1	1	1		
7	38547 0105	GLASS		1	1	1	1	1	1	1	1	1	1	1		
8	38547 0106	CIRCUIT ASS'Y		1	1	1	1	1	1	1	1	1	1	1		
9	38547 0118	WIRE HARNESS		1	1	1	1	1	1	1	1	1	1	1		
10	38547 0119	WIRE HARNESS		1	1	1	1	1	1	1	1	1	1	1		
11	38512 0230	BULB: 12V3.4W		6	6	6	6	6	6	6	6	6	6	6		
12	38512 0030	BULB: 12V3.4W		6	6	6	6	6	6	6	6	6	6	6		
13	38547 0107	BRACKET ASS'Y		1	1	1	1	1	1	1	1	1	1	1		
14	38547 0108	CASE		1	1	1	1	1	1	1	1	1	1	1		
15	38547 0138	RUBBER		1	1	1	1	1	1	1	1	1	1	1		
16	39811 1810	RUBBER		5	5	5	5	5	5	5	5	5	5	5		
17	02610 0006	WASHER		5	5	5	5	5	5	5	5	5	5	5		
18	02450 0006	CAP NUT		5	5	5	5	5	5	5	5	5	5	5		
19	02710 0006	SPRING WASHER		5	5	5	5	5	5	5	5	5	5	5		
20	02010 0006	NUT		5	5	5	5	5	5	5	5	5	5	5		
21	38535 0200	FLEXIBLE SHAFT		1	1	1	1	1	1	1	1	1	1	1		
22	38547 0154	RUBBER		1	1	1	1	1	1	1	1	1	1	1		

BINDER NO.
ISP3002

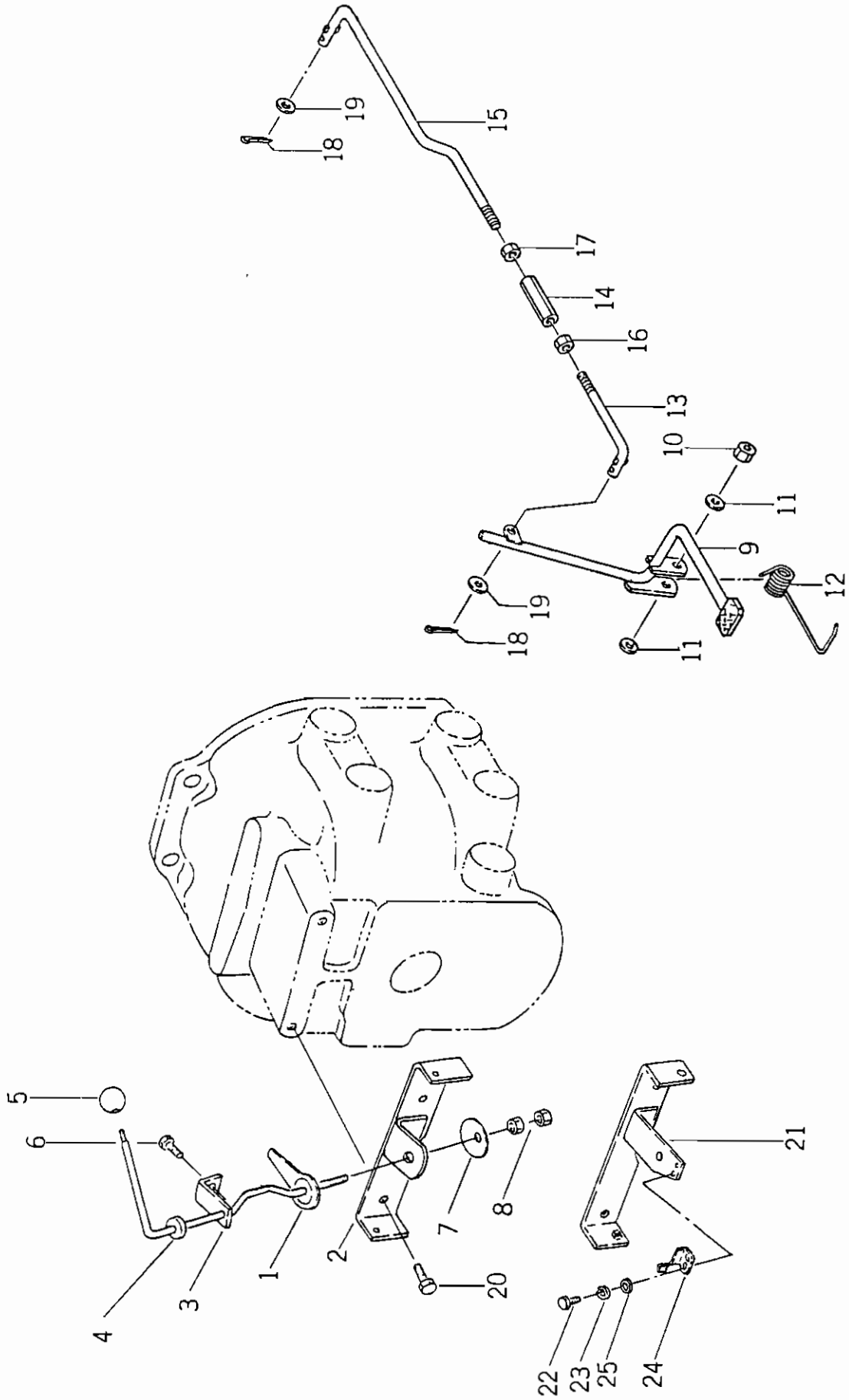
(1 - 260)

SUPPLEMENT NO.

No.8 - FEBRUARY, 1987



59. ACCEL



BINDER NO.
ISP3002

SUPPLEMENT NO.

(1 -- 261)



59. ACCEL

管理コード

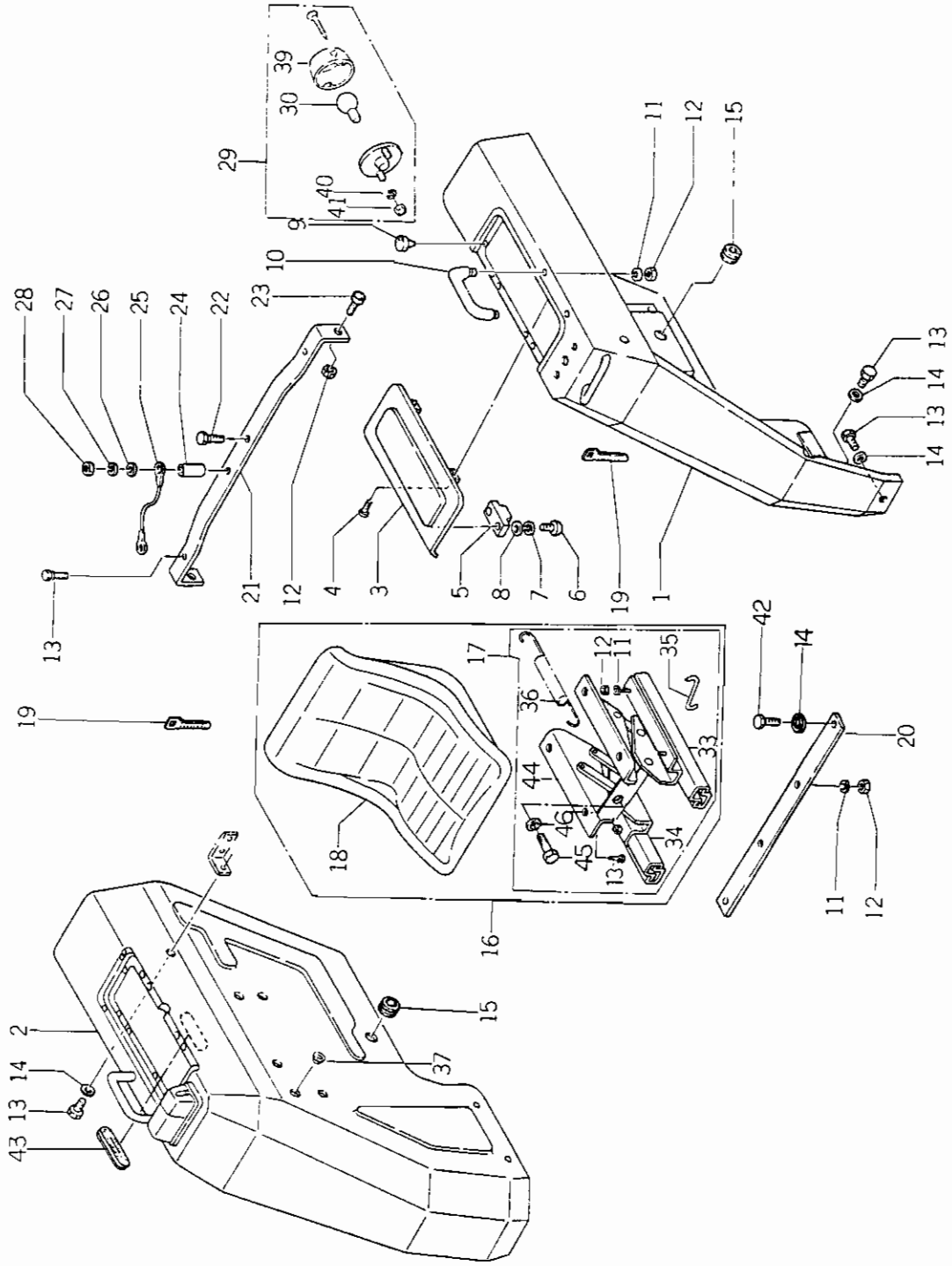
REFNO.	CODE NO.	PART	NAME	Qty										REMARKS
				S D 4300	S D 4340	S D 4500	S D 4540	S D 5000T	S D 5040T	S D 5000T	S D 5040T	Min.Qty		
1	31210 0470	ACCEL LEVER		1	1	1	1	1	1	1	1	1		
2	35080 0090	BRACKET		1	1	1	1	1	1	1	1	1		
3	35086 0740	BRACKET		1	1	1	1	1	1	1	1	1		
4	39811 1600	RUBBER		1	1	1	1	1	1	1	1	1		
5	39818 0171	GRIP		1	1	1	1	1	1	1	1	1		
6	01130 0816	BOLT		1	1	1	1	1	1	1	1	1		
7	39821 0130	SPRING		1	1	1	1	1	1	1	1	1		
8	02010 0010	NUT		2	2	2	2	2	2	2	2	2		
9	31260 0222	ACCEL PEDAL		1	1	1	1	1	1	1	1	1		(a)
9	31260 0341	ACCEL PEDAL		1	1	1	1	1	1	1	1	1		(b)
10	02250 0010	U-NUT		1	1	1	1	1	1	1	1	1		
11	02610 0010	WASHER		2	2	2	2	2	2	2	2	2		
12	39821 0611	SPRING		1	1	1	1	1	1	1	1	1		(a)
12	39821 2480	SPRING		1	1	1	1	1	1	1	1	1		(b)
13	31241 0810	ROD		1	1	1	1	1	1	1	1	1		
14	39916 0020	TURN BUCKLE		1	1	1	1	1	1	1	1	1		
15	31241 0800	ROD		1	1	1	1	1	1	1	1	1		
15	31241 1180	ROD		1	1	1	1	1	1	1	1	1		
16	02010 9006	NUT; L.H		1	1	1	1	1	1	1	1	1		
17	02010 0008	NUT		1	1	1	1	1	1	1	1	1		
18	03010 2020	SPLIT PIN		2	2	2	2	2	2	2	2	2		
19	02610 0008	WASHER		2	2	2	2	2	2	2	2	2		
20	01130 1020	BOLT		2	2	2	2	2	2	2	2	2		
21	35080 0111	BRACKET		1	1	1	1	1	1	1	1	1		
22	01011 0620	BOLT		1	1	1	1	1	1	1	1	1		
23	02710 0006	SPRING WASHER												
24	39821 1800	SPRING												
25	02610 0006	WASHER												
	(a) { SD5000T ~50000													
	(b) { SD5040T ~50000													
	(b) { SD5000T 50001~													
	(b) { SD5040T 50001~													

BINDER NO.
1SP3002

SUPPLEMENT NO.



60. FENDER, SEAT



	SUPPLEMENT NO.
--	----------------

BINDER NO.	ISP3002
------------	---------



60. FENDER, SEAT

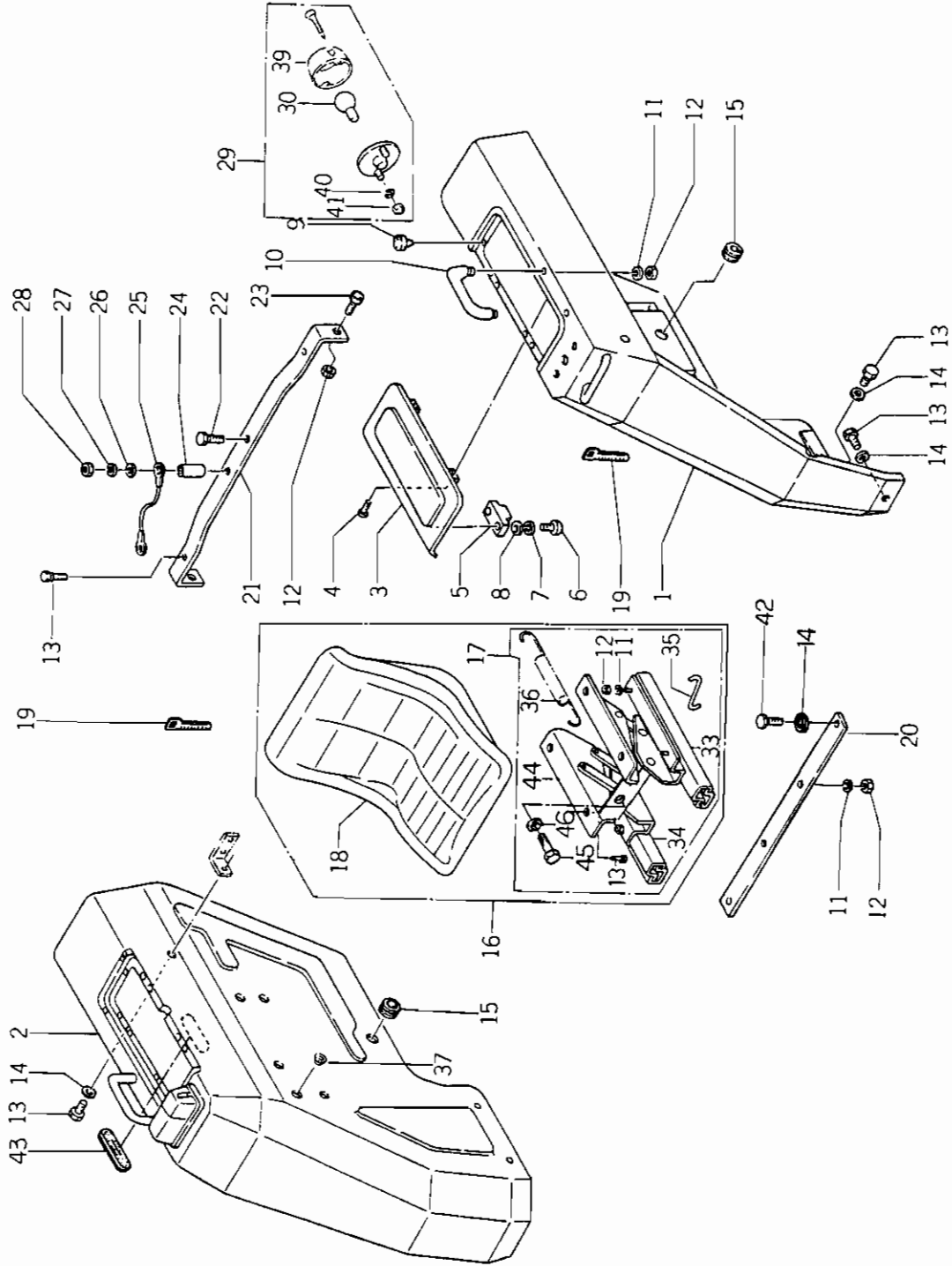
管理コード

REF.NO.	CODE NO.	PART	NAME	Qty										REMARKS	
				S	D	S	D	S	D	S	D	S	D		
1	35510 0881	FENDER; L.H		1	1	1	1	1	1	1	1	1	1	1	(a)
2	35510 0900	FENDER; R.H		1	1	1	1	1	1	1	1	1	1	1	
2	35510 0901	FENDER; R.H		2	2	2	2	2	2	2	2	2	2	2	
3	35075 0321	COVER		2	2	2	2	2	2	2	2	2	2	2	
3	35075 0322	COVER		2	2	2	2	2	2	2	2	2	2	2	
4	01514 0510	SCREW		8	8	8	8	8	8	8	8	8	8	8	
5	39833 0160	FASTENER		2	2	2	2	2	2	2	2	2	2	2	
6	01510 0310	SCREW		4	4	4	4	4	4	4	4	4	4	4	
7	02710 0003	SPRING WASHER		4	4	4	4	4	4	4	4	4	4	4	
8	02610 0003	WASHER		4	4	4	4	4	4	4	4	4	4	4	
9	39811 0110	RUBBER		4	4	4	4	4	4	4	4	4	4	4	
10	39818 0060	GRIP		3	3	3	3	3	3	3	3	3	3	3	
11	02710 0008	SPRING WASHER		14	14	14	14	14	14	14	14	14	14	14	
12	02010 0008	NUT		16	16	16	16	16	16	16	16	16	16	16	
13	01130 0816	BOLT		22	22	22	22	22	22	22	22	22	22	22	
14	02610 0008	WASHER		20	20	20	20	20	20	20	20	20	20	20	
15	39811 0250	RUBBER		2	2	2	2	2	2	2	2	2	2	2	
16	35507 0040	SEAT ASS'Y		1	1	1	1	1	1	1	1	1	1	1	
16	35507 0110	SEAT ASS'Y		1	1	1	1	1	1	1	1	1	1	1	
17	35508 0080	BRACKET ASS'Y		1	1	1	1	1	1	1	1	1	1	1	
17	35508 0150	BRACKET ASS'Y		1	1	1	1	1	1	1	1	1	1	1	
18	35570 0280	SEAT		1	1	1	1	1	1	1	1	1	1	1	
18	35570 0370	SEAT		1	1	1	1	1	1	1	1	1	1	1	
19	39875 0220	BAND		3	3	3	3	3	3	3	3	3	3	3	
20	35576 0741	BRACKET		2	2	2	2	2	2	2	2	2	2	2	
21	35536 0040	SET PLATE		1	1	1	1	1	1	1	1	1	1	1	
22	01130 1020	BOLT		1	1	1	1	1	1	1	1	1	1	1	
23	39811 1640	RUBBER		2	2	2	2	2	2	2	2	2	2	2	
24	39923 2060	COLLAR		1	1	1	1	1	1	1	1	1	1	1	
25	38560 3150	WIRE HARNES		1	1	1	1	1	1	1	1	1	1	1	

BINDER NO.	IS P 3 0 0 2
SUPPLEMENT NO.	



60. FENDER, SEAT



	SUPPLEMENT NO.
--	----------------

BINDER NO.	ISP3007
------------	---------



60. FENDER, SEAT

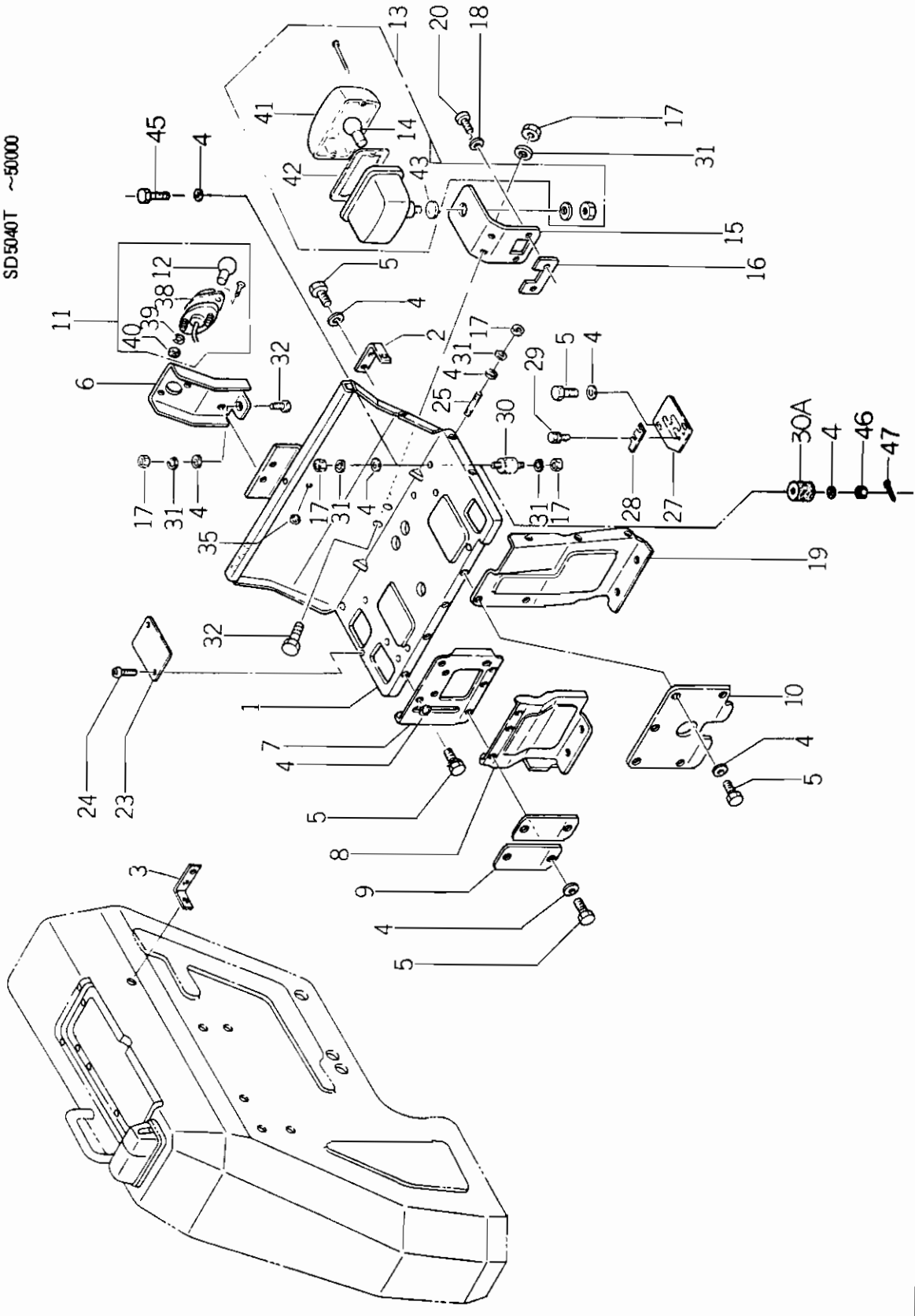
管理コード

REFNO.	CODE NO.	PART	NAME	Q'ty										REMARKS			
				SD 4300	SD 4340	SD 4500	SD 4540	SD 5000T	SD 5040T	SD 4300	SD 4340	SD 4500	SD 4540		SD 5000T	SD 5040T	Min.Qty
26	02610 9018	WASHER		1	1	1	1	1	1	1	1	1	1				
27	02710 0010	SPRING WASHER		1	1	1	1	1	1	1	1	1	1				
28	02010 0010	NUT		1	1	1	1	1	1	1	1	1	1				
29	38510 0230	LAMP ASS'Y: BRAKE		2	2	2	2	2	2	2	2	2	2				
30	38512 0170	BULB: 12V23/8W		2	2	2	2	2	2	2	2	2	2				
33	35574 0143	SLIDE RAIL LOCK		1	1	1	1	1	1	1	1	1	1			(f)	
33	35574 0164	SLIDE RAIL: LOCK		1	1	1	1	1	1	1	1	1	1			(g)	
34	35574 0144	SLIDE RAIL		1	1	1	1	1	1	1	1	1	1			(f)	
34	35574 0165	SLIDE RAIL		1	1	1	1	1	1	1	1	1	1			(g)	
35	35574 0145	WIRE		1	1	1	1	1	1	1	1	1	1				
36	35574 0146	SPRING		2	2	2	2	2	2	2	2	2	2			(f)	
36	35574 0163	SPRING		2	2	2	2	2	2	2	2	2	2			(g)	
37	39846 0020	BLANK PLUG		5	5	5	5	5	5	5	5	5	5				
39	38511 0170	LENS		2	2	2	2	2	2	2	2	2	2				
40	02710 0005	SPRING WASHER		4	4	4	4	4	4	4	4	4	4				
41	02010 0005	NUT		4	4	4	4	4	4	4	4	4	4				
42	01130 0820	BOLT		4	4	4	4	4	4	4	4	4	4				
43	39811 2660	RUBBER		1	1	1	1	1	1	1	1	1	1			(c)	
44	35574 0162	SUSPENSION ASS'Y		1	1	1	1	1	1	1	1	1	1			(g)	
45	01010 1040	BOLT		1	1	1	1	1	1	1	1	1	1			(g)	
46	02610 0010	WASHER		1	1	1	1	1	1	1	1	1	1			(g)	
	SD4300	SD4300	SD4300	SD4300	SD4300	SD4300	SD4300	SD4300	SD4300	SD4300	SD4300	SD4300	SD4300	SD4300	SD4300	SD4300	SD4300
	SD4340	SD4340	SD4340	SD4340	SD4340	SD4340	SD4340	SD4340	SD4340	SD4340	SD4340	SD4340	SD4340	SD4340	SD4340	SD4340	SD4340
	SD5000T	SD5000T	SD5000T	SD5000T	SD5000T	SD5000T	SD5000T	SD5000T	SD5000T	SD5000T	SD5000T	SD5000T	SD5000T	SD5000T	SD5000T	SD5000T	SD5000T
	SD5040T	SD5040T	SD5040T	SD5040T	SD5040T	SD5040T	SD5040T	SD5040T	SD5040T	SD5040T	SD5040T	SD5040T	SD5040T	SD5040T	SD5040T	SD5040T	SD5040T
	15198	15199~	15199~	15199~	15199~	15199~	15199~	15199~	15199~	15199~	15199~	15199~	15199~	15199~	15199~	15199~	15199~
	16025	16026~	16026~	16026~	16026~	16026~	16026~	16026~	16026~	16026~	16026~	16026~	16026~	16026~	16026~	16026~	16026~
	15201	15202~	15202~	15202~	15202~	15202~	15202~	15202~	15202~	15202~	15202~	15202~	15202~	15202~	15202~	15202~	15202~
	16055	16056~	16056~	16056~	16056~	16056~	16056~	16056~	16056~	16056~	16056~	16056~	16056~	16056~	16056~	16056~	16056~
	15213	15213	15213	15213	15213	15213	15213	15213	15213	15213	15213	15213	15213	15213	15213	15213	15213
	16581	16582~	16582~	16582~	16582~	16582~	16582~	16582~	16582~	16582~	16582~	16582~	16582~	16582~	16582~	16582~	16582~
	15213	15213	15213	15213	15213	15213	15213	15213	15213	15213	15213	15213	15213	15213	15213	15213	15213
	16596	16597~	16597~	16597~	16597~	16597~	16597~	16597~	16597~	16597~	16597~	16597~	16597~	16597~	16597~	16597~	16597~



61. SEAT PANEL

SD5000T ~50000
SD5040T ~50000



BINDER NO.
ISP3002

SUPPLEMENT NO.



61. SEAT PANEL

SD5000T ~50000
SD5040T ~50000

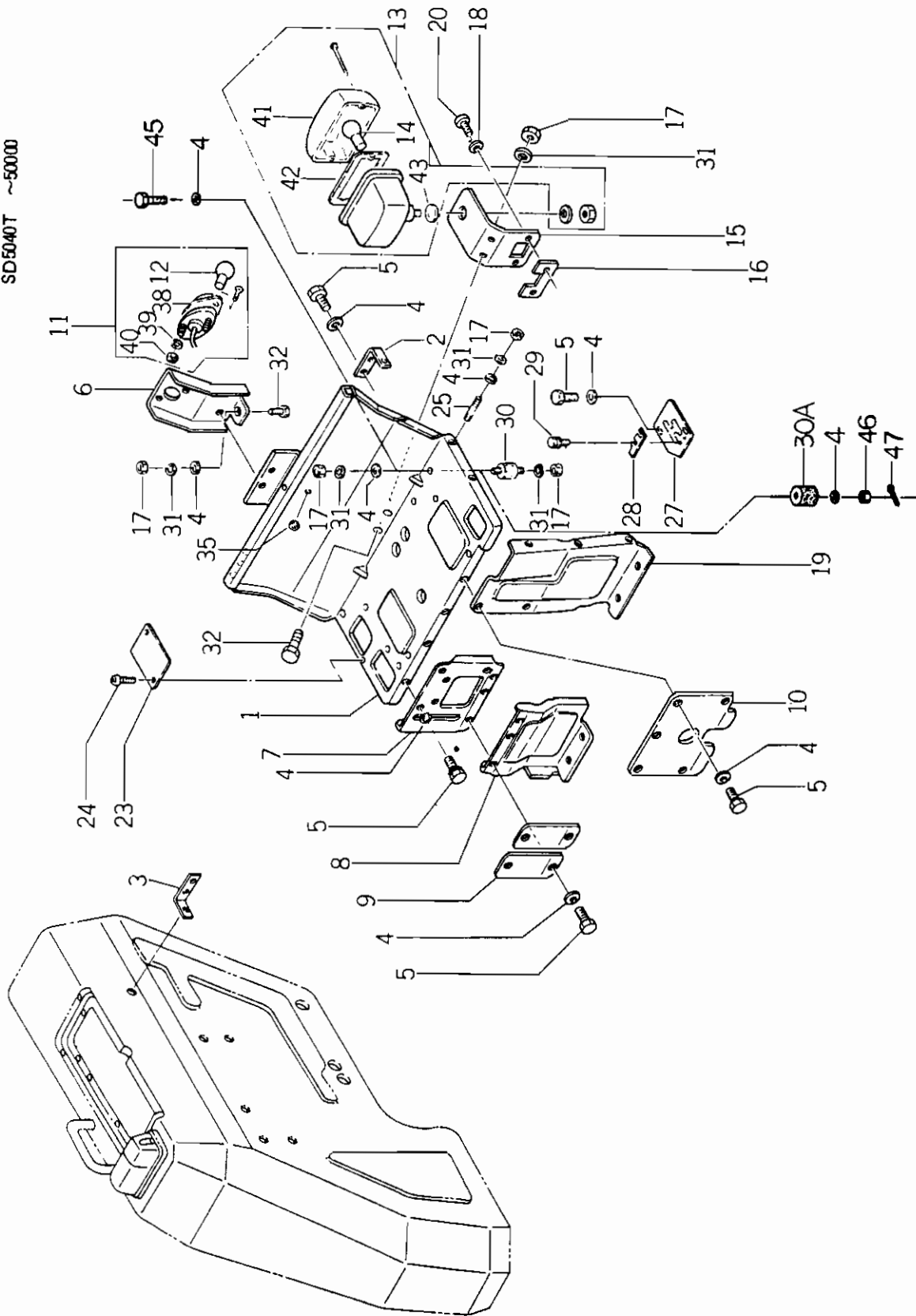
管理コード

REF.NO.	CODE NO.	PART	NAME	Qty										REMARKS
				S	D	S	D	S	D	S	D	S	D	
1	35525 0232	FLOOR		1	1							1	1	(a)
1	35525 0233	FLOOR		1	1							1	1	(b)
2	35517 0570	SET PLATE: L		1	1							1	1	
3	35517 0580	SET PLATE: R		1	1							1	1	
4	02610 0008	WASHER		28	28							28	28	(d)
5	01130 0816	BOLT		19	19							19	19	
6	35580 0090	SET PLATE		1	1							1	1	
7	35525 0250	FLOOR; R.H		1	1							1	1	
8	35525 0260	FLOOR; R.H		1	1							1	1	
9	35578 0030	COVER		2	2							2	2	
10	35578 0101	COVER		1	1							1	1	
11	38510 0250	LAMP ASS'Y: LICENSE		1	1							1	1	
12	38512 0200	BULB: 12V15W		1	1							1	1	
13	38510 0330	LAMP ASS'Y: REVERSE		1	1							1	1	
14	38512 0140	BULB: 12V10W		1	1							1	1	
15	38592 0151	PLATE		1	1							1	1	
16	35521 0080	SET PLATE		1	1							1	1	
17	02010 0008	NUT		8	8							8	8	(d)
18	02710 0004	SPRING WASHER		2	2							2	2	
19	35525 0241	FLOOR; L.H		1	1							1	1	
20	01510 0410	SCREW		2	2							2	2	
23	35076 1180	COVER		1	1							1	1	
24	01510 9027	SCREW		2	2							2	2	
25	01210 0816	STUD BOLT		4	4							4	4	
27	34025 0230	LEVER GUIDE		1	1							1	1	
28	34027 0250	PLATE		1	1							1	1	
29	01115 0514	BOLT		2	2							2	2	
30	39811 0050	RUBBER		2	2							2	2	(c)
30A	39811 3390	RUBBER		2	2							2	2	(d)
31	02710 0008	SPRING WASHER		7	7							7	7	(d)



61. SEAT PANEL

SD5000T ~50000
SD5040T ~50000



	SUPPLEMENT NO.
--	----------------

BINDER NO.	1 SP3002
------------	----------



61. SEAT PANEL

SD5000T ~50000
SD5040T ~50000

管理コード

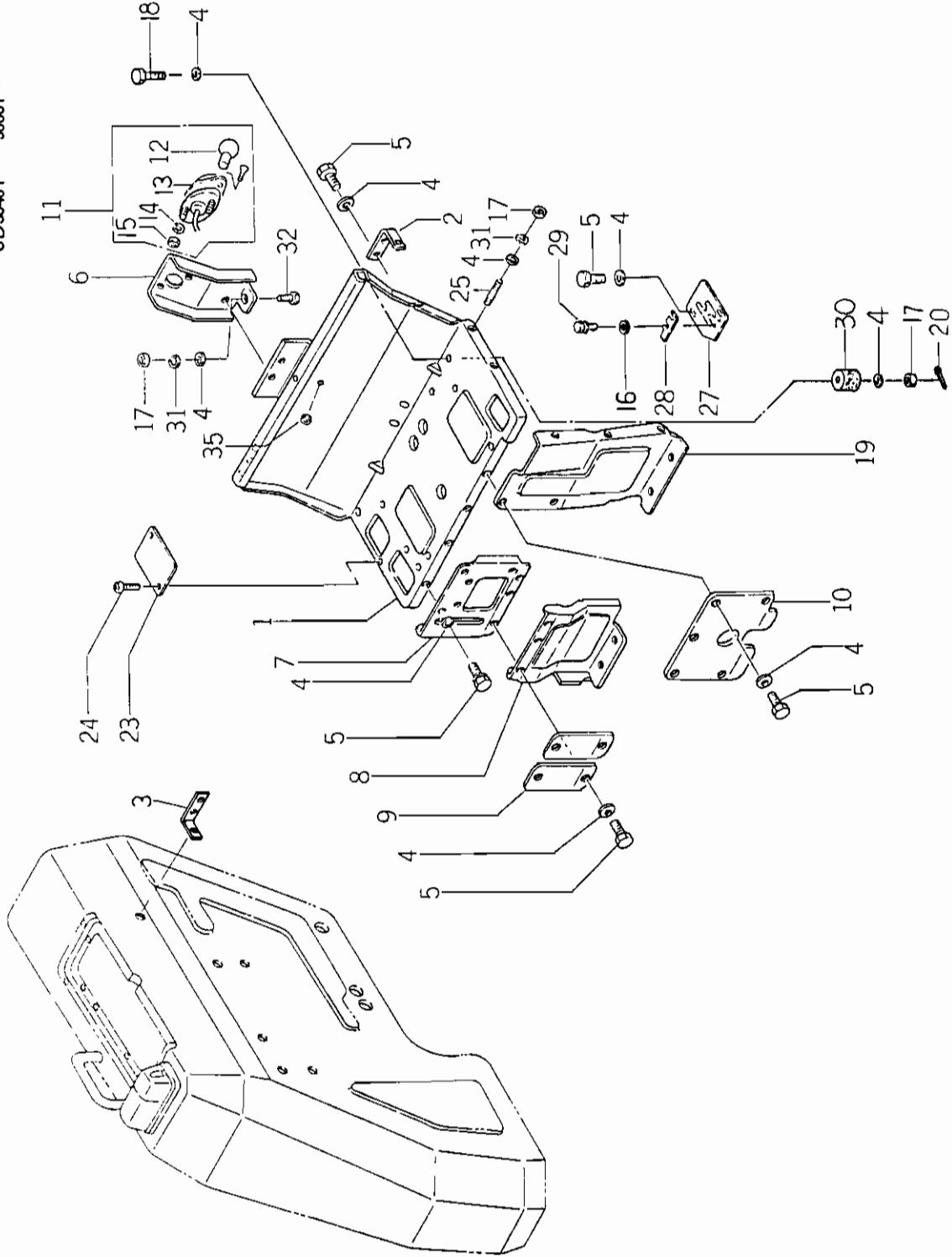
REFNO.	CODE NO.	PART	NAME	Qty												REMARKS
				S D 4300	S D 4340	S D 4500	S D 4540	S D 5000T	S D 5040T	S D 5000T	S D 5040T	S D 5000T	S D 5040T	Min.Qty		
32	01010 0816	BOLT		3	3			3				3	3			
35	39811 0240	RUBBER		3	3			3				3	3			
38	38511 0150	LENS		1	1			1				1	1			
39	02710 0005	SPRING WASHER		2	2			2				2	2			
40	02010 0005	NUT		2	2			2				2	2			
41	38511 0200	LENS		1	1			1				1	1			
42	38514 0100	GASKET		1	1			1				1	1			
43	38514 0110	RUBBER		1	1			1				1	1			
44	02610 0006	WASHER		2	2			2				2	2			
45	39943 0580	BOLT		2	2			2				2	2		(d)	
46	02010 0008	NUT		2	2			2				2	2		(d)	
47	03010 2015	SPLIT PIN		2	2			2				2	2		(d)	
(a)	SD4300 ~15196 SD4340 ~16025 SD5000T ~15201 SD5040T ~16055	SD4300 15199~ SD4340 16026~ SD5000T 15202~ SD5040T 16056~	{ SD4300 ~15213 SD4340 ~16515 SD5040T ~15213 SD5040T ~16541	{ SD4300 15214~ SD4340 16516~ SD5000T 15214~ SD5040T 16542~												

BINDER NO.	SUPPLEMENT NO.
------------	----------------



61A. SEAT PANEL

SD5000T 50001~
SD5040T 50001~



BINDER NO.
ISP30

(1 - 271)

SUPPLEMENT NO.



61A. SEAT PANEL

SD5000T 50001~
SD5040T 50001~

管理コード

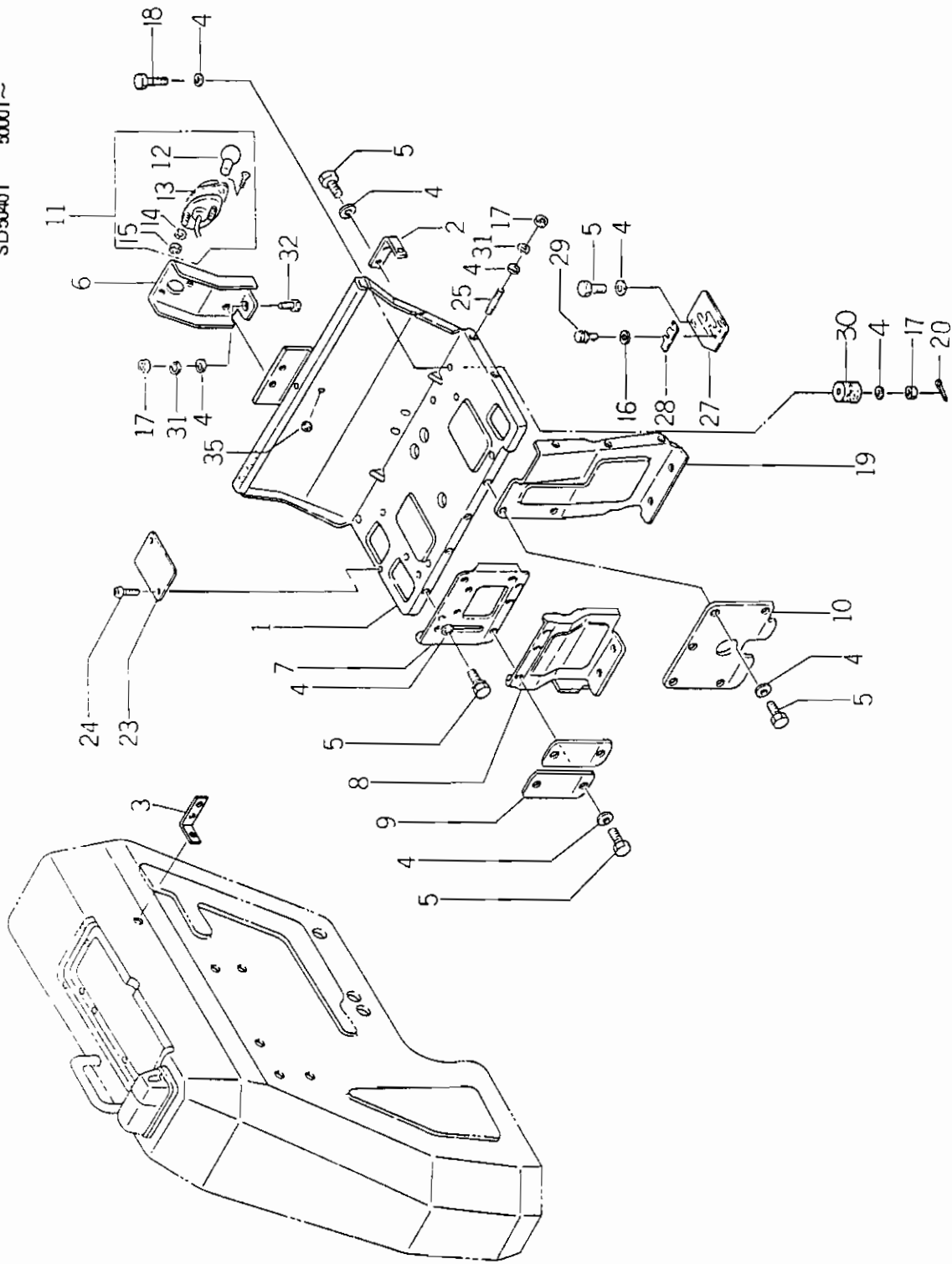
REFNO.	CODE NO.	PART	NAME	Qty										REMARKS			
				S	D	S	D	S	D	S	D	S	D		Min. Qty		
1	35525 0233	FLOOR															(a)
1	35525 0234	FLOOR															(b)
2	35517 0570	SET PLATE: L															
3	35517 0580	SET PLATE: R															
4	02610 0008	WASHER															
5	01130 0816	BOLT															
6	35550 0090	SET PLATE															
7	35525 0250	FLOOR; R.H															
8	35525 0260	FLOOR; R.H															
9	35578 0030	COVER															
10	35578 0101	COVER															
11	38510 0250	LAMP ASS'Y: LICENSE															
12	38512 0200	BULB: 12V15W															
13	38511 0150	LENS															
14	02710 0005	SPRING WASHER															
15	02010 0005	NUT															
16	02610 0006	WASHER															
17	02010 0008	NUT															
18	39943 0580	BOLT															
19	35525 0241	FLOOR; L.H															
20	03010 2015	SPLIT PIN															
23	35076 1180	COVER															
24	01510 9027	SCREW															
25	01210 0816	STUD BOLT															
27	34025 0230	LEVER GUIDE															
28	34027 0250	PLATE															
29	01115 0514	BOLT															
30	39811 3390	RUBBER															
31	02710 0008	SPRING WASHER															
32	01010 0816	BOLT															

BINDER NO.
ISP3002



61A. SEAT PANEL

SD5000T 50001~
SD5040T 50001~



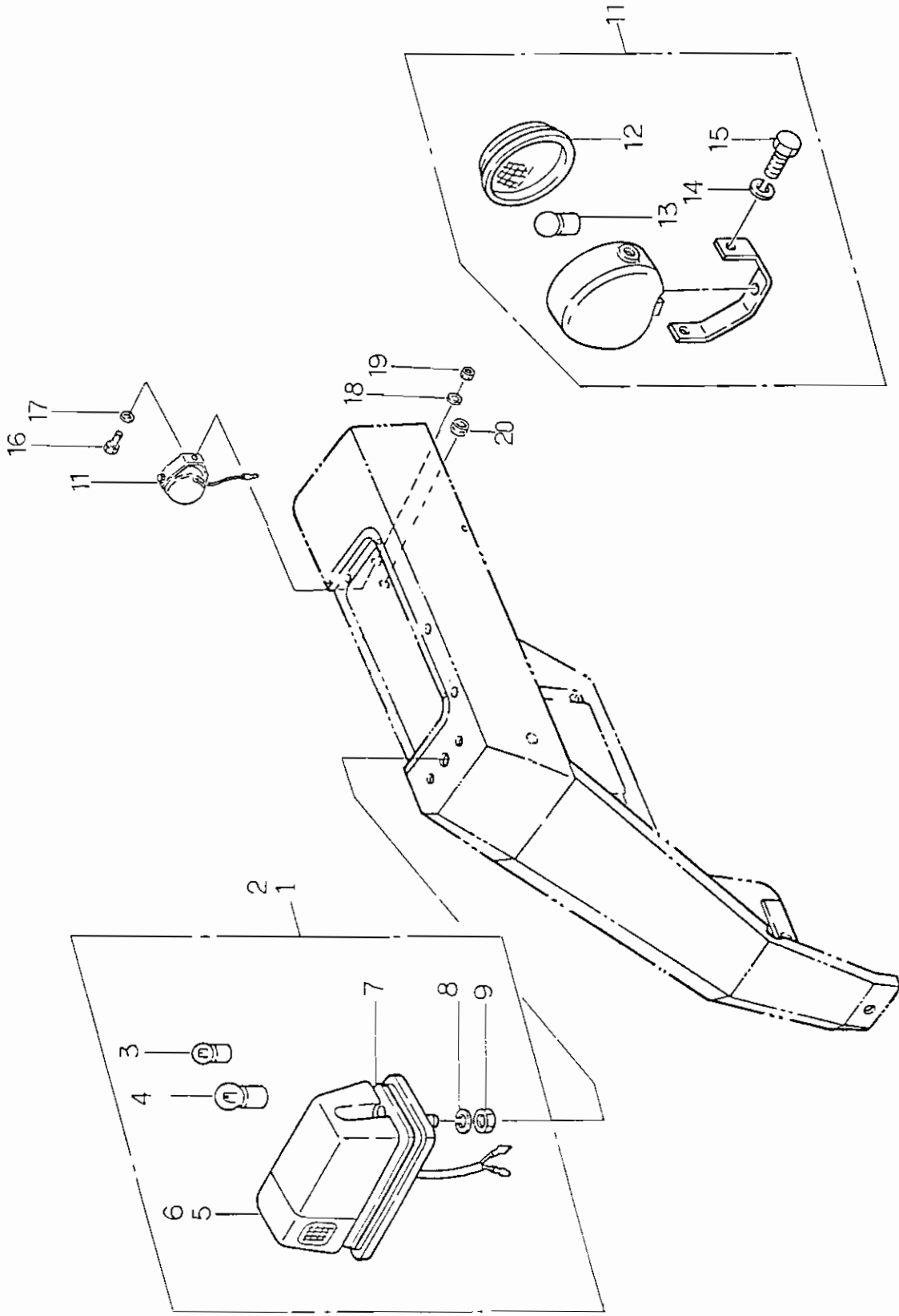
バインダ - NO.
BINDER NO.
ISP3002

(1 - 272A)

改訂番号年月	№8 - FEBRUARY, 1987
SUPPLEMENT NO.	



62. FLASHER LAMP, WORK LAMP



BINDER NO.
ISP3002

(1 - 273)

SUPPLEMENT NO.



62. FLASHER LAMP, WORK LAMP

管理コード

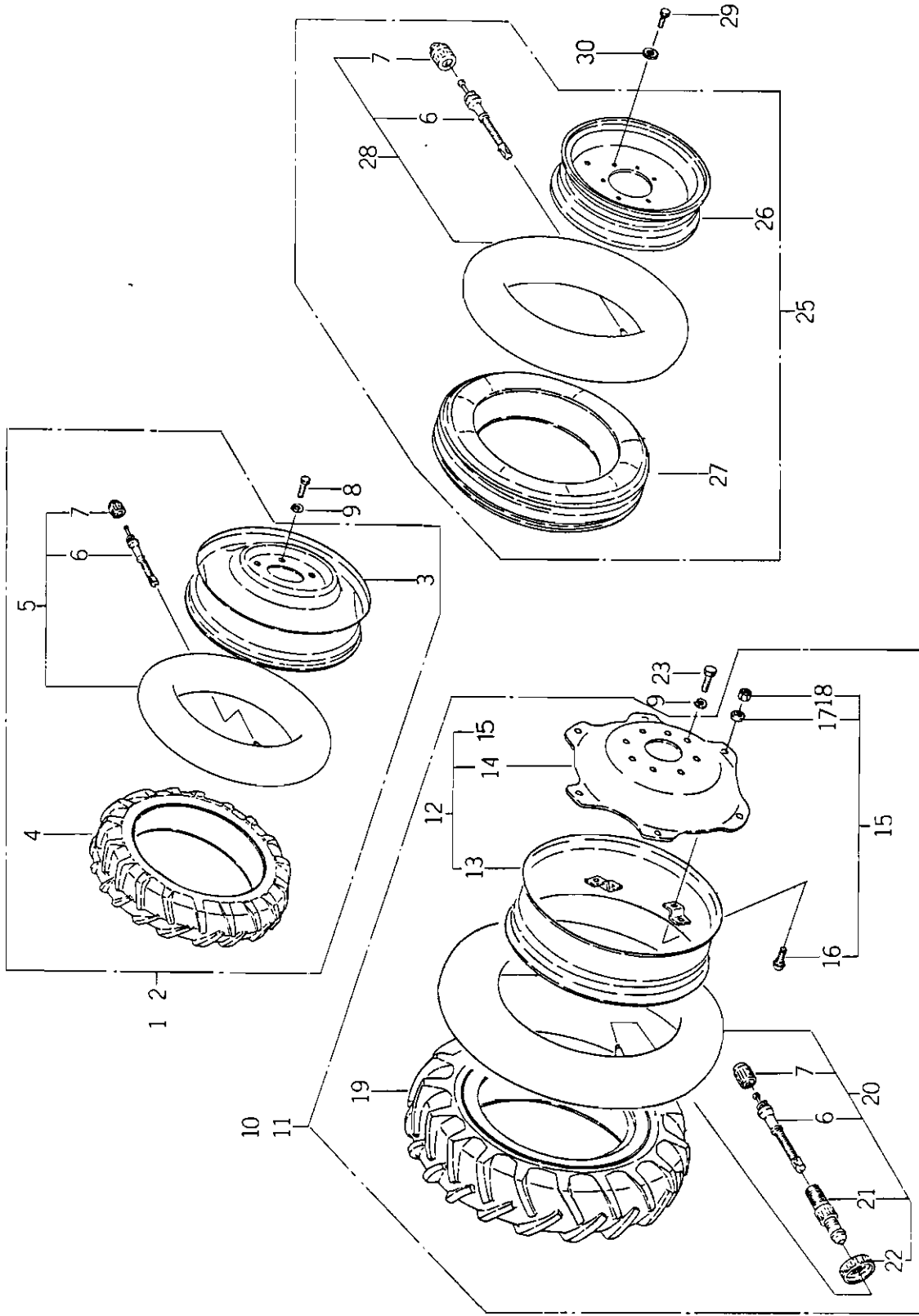
REF.NO.	CODE NO.	PART	NAME	Qty												Min.Qty	REMARKS
				S D 4300	S D 4340	S D 4500	S D 4540	S D 5000T	S D 5040T	S D	S D	S D	S D	S D	S D		
1	38510 0500	LAMP ASS'Y; L.H		1	1	1	1	1	1	1	1	1	1	1			
2	38510 0580	LAMP ASS'Y; R.H		1	1	1	1	1	1	1	1	1	1	1			
3	38512 0140	BULB: 12V10W		2	2	2	2	2	2	2	2	2	2	2			
4	38512 0180	BULB: 12V23W		2	2	2	2	2	2	2	2	2	2	2			
5	38511 0300	LENS ASS'Y; L.H		1	1	1	1	1	1	1	1	1	1	1			
6	38511 0310	LENS ASS'Y; R.H		1	1	1	1	1	1	1	1	1	1	1			
7	38514 0150	GASKET		2	2	2	2	2	2	2	2	2	2	2			
8	02710 0005	SPRING WASHER		4	4	4	4	4	4	4	4	4	4	4			
9	02010 0005	NUT		4	4	4	4	4	4	4	4	4	4	4			
11	38510 0080	LAMP ASS'Y		1	1	1	1	1	1	1	1	1	1	1			
12	38511 0020	LENS		1	1	1	1	1	1	1	1	1	1	1			
13	38512 0180	BULB: 12V23W		1	1	1	1	1	1	1	1	1	1	1			
14	02710 0006	SPRING WASHER		2	2	2	2	2	2	2	2	2	2	2			
15	01010 0616	BOLT		2	2	2	2	2	2	2	2	2	2	2			
16	01010 0816	BOLT		1	1	1	1	1	1	1	1	1	1	1			
17	02610 0008	WASHER		1	1	1	1	1	1	1	1	1	1	1			
18	39934 0030	WASHER		1	1	1	1	1	1	1	1	1	1	1			
19	02010 0008	NUT		1	1	1	1	1	1	1	1	1	1	1			
20	39811 0230	RUBBER		1	1	1	1	1	1	1	1	1	1	1			

BINDER NO.
ISP3002

SUPPLEMENT NO.



63. FRONT WHEELS, REAR WHEELS



BINDER NO.
ISP3002

(1 - 275)

SUPPLEMENT NO.



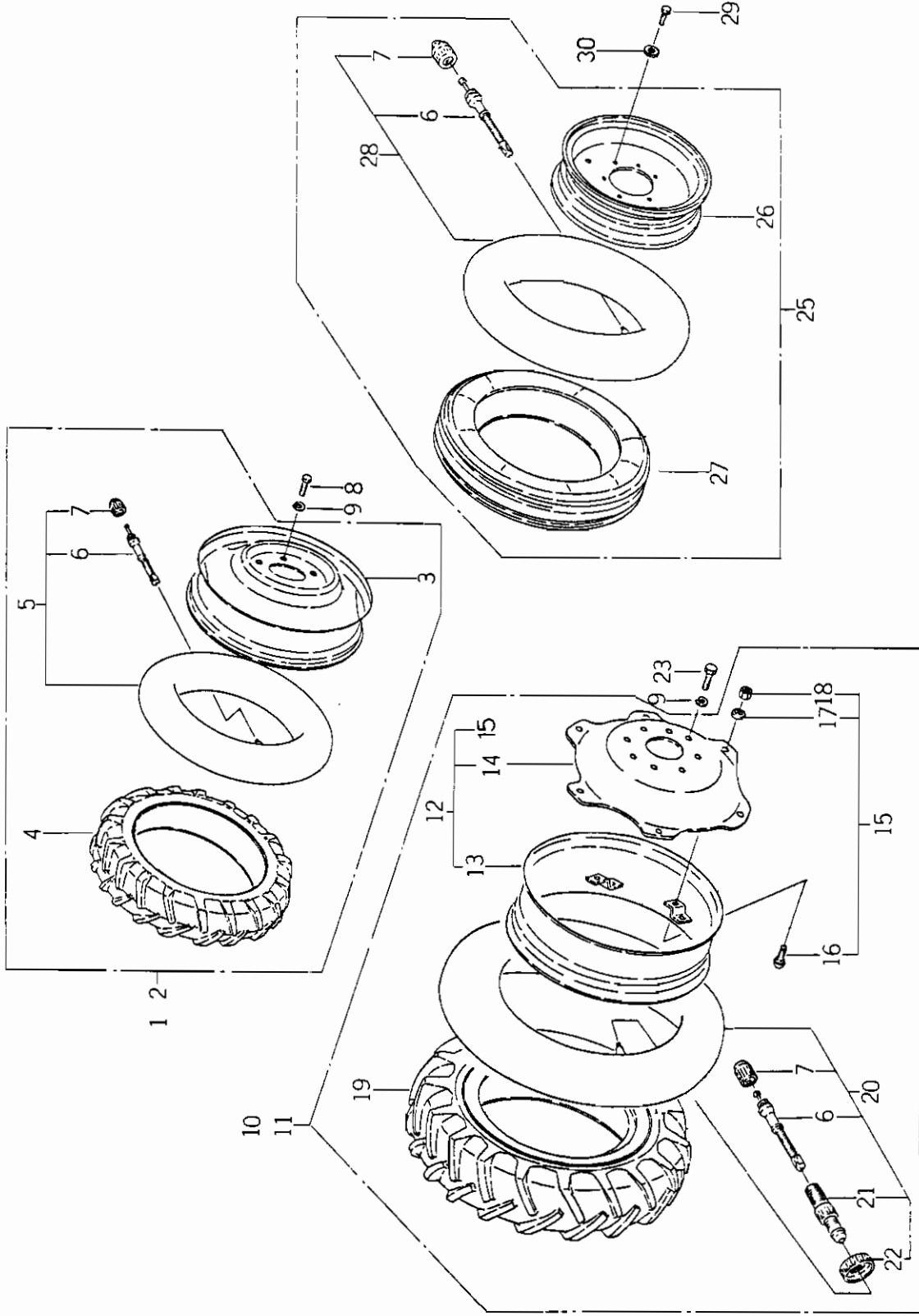
63. FRONT WHEELS, REAR WHEELS

管理コード

REF.NO.	CODE NO.	PART	NAME	Qty												REMARKS
				S	D	S	D	S	D	S	D	S	D	S	D	
1	33603 1400	FRONT WHEEL ASS'Y; L.H		1												(a)
1	33603 2190	FRONT WHEEL ASS'Y; L.H			1											(b) (g)
1	33603 2191	FRONT WHEEL ASS'Y; L.H			1											(h)
2	33603 1390	FRONT WHEEL ASS'Y; R.H		1												(a)
2	33603 2200	FRONT WHEEL ASS'Y; R.H			1											(b) (g)
2	33603 2201	FRONT WHEEL ASS'Y; R.H			1											(h)
3	33610 0890	DISC WHEEL		2												(a)
3	33610 1440	DISC WHEEL			2											(c) (g)
3	33610 1400	DISC WHEEL		2												(d) (h)
4	33613 1120	TIRE; 8-18 4PR		2												(c) (g)
5	33608 0340	TUBE ASS'Y		2												(h)
5	33608 0370	TUBE ASS'Y		2												(d)
5	33608 0830	TUBE ASS'Y		4	4	4	4	4	4	4	4	4	4	4	4	
6	33617 0010	VALVE; TR15		4	4	4	4	4	4	4	4	4	4	4	4	
7	33618 0030	CAP		4	4	4	4	4	4	4	4	4	4	4	4	
8	01021 1630	BOLT		12												
9	02710 0016	SPRING WASHER		16	28	16	28	16	28	16	28	16	28	16	28	
10	33601 2220	REAR WHEEL ASS'Y; L.H		1	1	1	1	1	1	1	1	1	1	1	1	
11	33601 2230	REAR WHEEL ASS'Y; R.H		1	1	1	1	1	1	1	1	1	1	1	1	
12	33607 0170	RIM DISC ASS'Y		2	2	2	2	2	2	2	2	2	2	2	2	
13	33612 0510	RIM		2	2	2	2	2	2	2	2	2	2	2	2	
14	33611 0540	DISC		2	2	2	2	2	2	2	2	2	2	2	2	
15	33609 0030	BOLT ASS'Y		12	12	12	12	12	12	12	12	12	12	12	12	
16	33619 0158	BOLT		12	12	12	12	12	12	12	12	12	12	12	12	
17	39934 0140	WASHER		12	12	12	12	12	12	12	12	12	12	12	12	
18	02010 9066	NUT		12	12	12	12	12	12	12	12	12	12	12	12	
19	33613 0070	TIRE; 12.4/11-28 4PR		12	12	12	12	12	12	12	12	12	12	12	12	
20	33608 0140	TUBE ASS'Y		2	2	2	2	2	2	2	2	2	2	2	2	
21	33616 0010	VALVE; TR218A		2	2	2	2	2	2	2	2	2	2	2	2	
22	33616 0040	VALVE NUT		2	2	2	2	2	2	2	2	2	2	2	2	



63. FRONT WHEELS, REAR WHEELS



BINDER NO.
ISP3002

(1 - 277)

SUPPLEMENT NO.



63. FRONT WHEELS, REAR WHEELS

管理コード

REFNO.	CODE NO.	PART	NAME	Qty										Min.Qty	REMARKS	
				S	D	S	D	S	D	S	D	S	D			
23	01021 1635	BOLT		S	D	S	D	S	D	S	D	S	D			(e) } (f) }
23	01021 1640	BOLT		16	16	16	16	16	16	16	16	16	16			
10	33601 2750	REAR WHEEL ASS'Y; L.H		1	1	1	1	1	1	1	1	1	1			OPTION
11	33601 2760	REAR WHEEL ASS'Y; R.H		1	1	1	1	1	1	1	1	1	1			OPTION
12	33607 0210	RIM DISC ASS'Y		2	2	2	2	2	2	2	2	2	2			
13	33612 0560	RIM		2	2	2	2	2	2	2	2	2	2			
14	33611 0590	DISK		2	2	2	2	2	2	2	2	2	2			
15	33609 0030	BOLT ASS'Y		12	12	12	12	12	12	12	12	12	12			14.9/13-24 6 PR
16	33619 0158	BOLT		12	12	12	12	12	12	12	12	12	12			
17	39934 0140	WASHER		12	12	12	12	12	12	12	12	12	12			
18	02010 9066	NUT		12	12	12	12	12	12	12	12	12	12			
19	33613 0420	TIRE; 14.9/13-24 6 PR		2	2	2	2	2	2	2	2	2	2			
20	33608 0290	TUBE ASS'Y		2	2	2	2	2	2	2	2	2	2			
21	33616 0010	VALVE; TR218A		2	2	2	2	2	2	2	2	2	2			
22	33616 0040	VALVE NUT		2	2	2	2	2	2	2	2	2	2			
25	33603 1290	FRONT WHEEL ASS'Y		2	2	2	2	2	2	2	2	2	2			6.00-16. 4 PR
25	33603 1660	FRONT WHEEL ASS'Y		2	2	2	2	2	2	2	2	2	2			6.00-16. 6 PR OPTION
26	33610 0860	DISC WHEEL		2	2	2	2	2	2	2	2	2	2			
27	33613 0310	TIRE; 6.00-16 4 PR		2	2	2	2	2	2	2	2	2	2			
27	33613 1310	TIRE; 6.00-16 6 PR		2	2	2	2	2	2	2	2	2	2			OPTION
28	33608 0150	TUBE ASS'Y		2	2	2	2	2	2	2	2	2	2			
29	01131 1225	BOLT		12	12	12	12	12	12	12	12	12	12			(a)
29	01011 1230	BOLT		12	12	12	12	12	12	12	12	12	12			(b)
30	39921 0750	SPACER		12	12	12	12	12	12	12	12	12	12			(b)
	(a) } SD5000T ~50000		(c) SD5040T	50001~50101	50144~											
	(b) } SD5000T ~50000		(c) SD5040T	50001~50101	50144~											
	(c) } SD5000T ~50000		(e) SD4540	10042	10043~											
	(d) SD5040T		(f) } SD4500 * 4540	50412	50413~											
	(e) } SD5000T * 5040T		(g) } SD4540	~10077	~50586											
	(f) } SD5000T * 5040T		(h) } SD4540	10078~	50587~											
	(g) } SD5000T * 5040T		(i) } SD5040T	50102~50143												

BINDER NO.
I S P 3 0 0 2

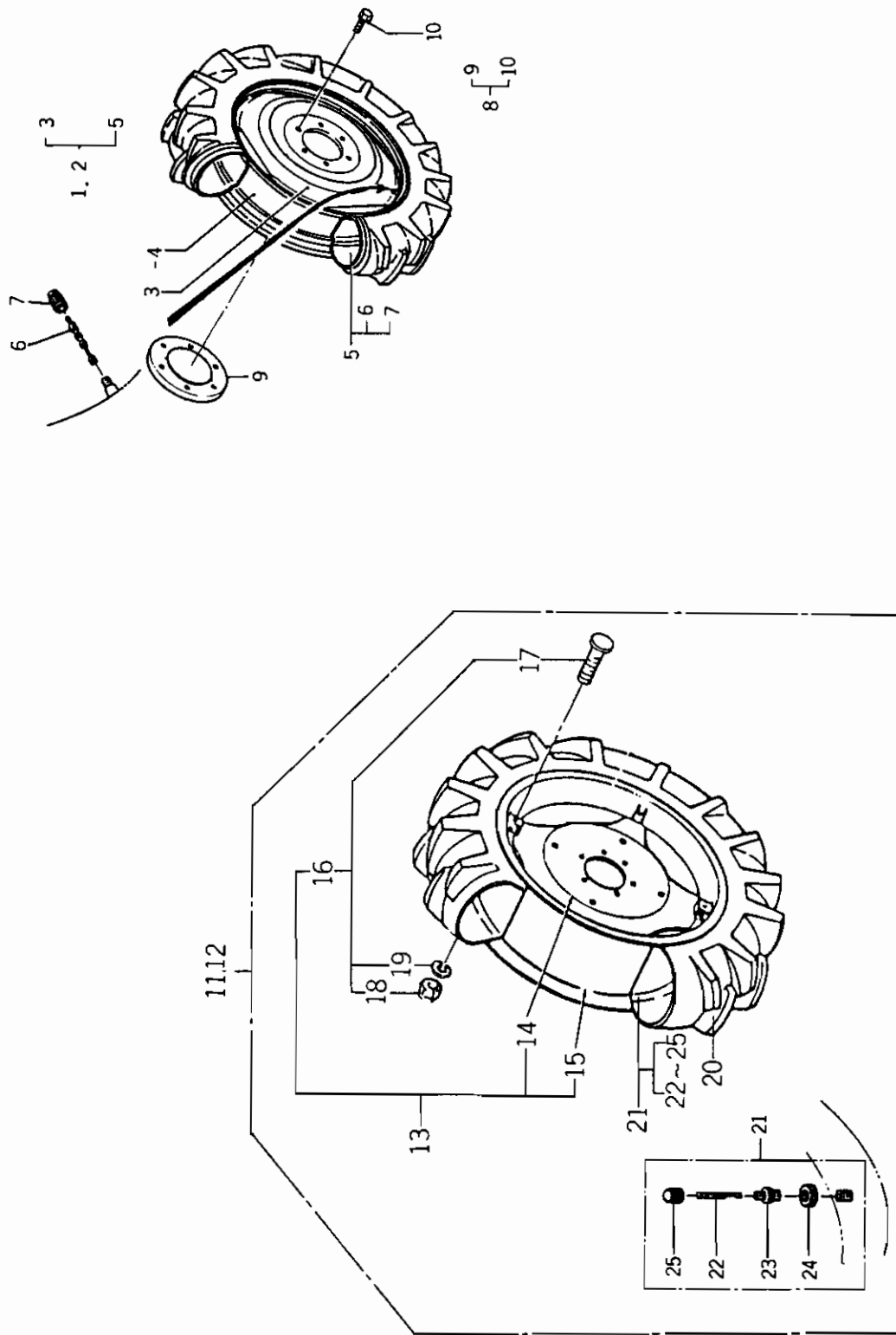
(1 - 278)

SUPPLEMENT NO.

№ 7 - AUGUST, 1986



63A. FRONT WHEELS, REAR WHEELS



(1 — 278A)

SUPPLEMENT NO. No. 5 — AUGUST, 1985

BINDER NO.
ISP3002



63A. FRONT WHEELS, REAR WHEELS

管理コード

REFNO.	CODE NO.	PART	NAME	Q'ty										REMARKS	
				S	D	S	D	S	D	S	D	S	D		
1	33603 2550	FRONT WHEEL ASS'Y; L.H													OPTION
2	33603 2600	FRONT WHEEL ASS'Y; R.H													OPTION
3	33610 1550	DISC WHEEL		4300	4340	4500	4540	5000T	5040T						
4	33613 1550	TIRE													
5	33608 0100	TUBE ASS'Y													
6	33617 0010	VALVE; TR15													
7	33617 0030	CAP													
8	37406 0090	TREAD ADJUSTOR ASS'Y													
9	37460 0150	SPACER													
9	37460 0151	SPACER													
10	01021 1660	BOLT													
11	33601 3630	REAR WHEEL ASS'Y; L.H													
12	33601 3640	REAR WHEEL ASS'Y; R.H													
13	33607 0170	RIM DISC ASS'Y													
14	33611 0540	DISC													
15	33612 0510	RIM													
16	33609 0030	BOLT ASS'Y													
17	33619 0158	BOLT													
18	02010 9066	NUT													
19	33634 0140	WASHER													
20	33613 1650	TIRE													
21	33608 0860	TUBE ASS'Y													
22	33617 0010	VALVE; TR218 A													
23	33616 0010	VALVE													
24	33616 0040	VALVE NUT													
25	33618 0030	CAP													

(a) { SD4540 ~ 10109
SD5040T ~ 50625

(b) { SD4540 10110 ~
SD5040T 50626 ~

13.6-28 6 PR

BINDER NO.
ISP3002

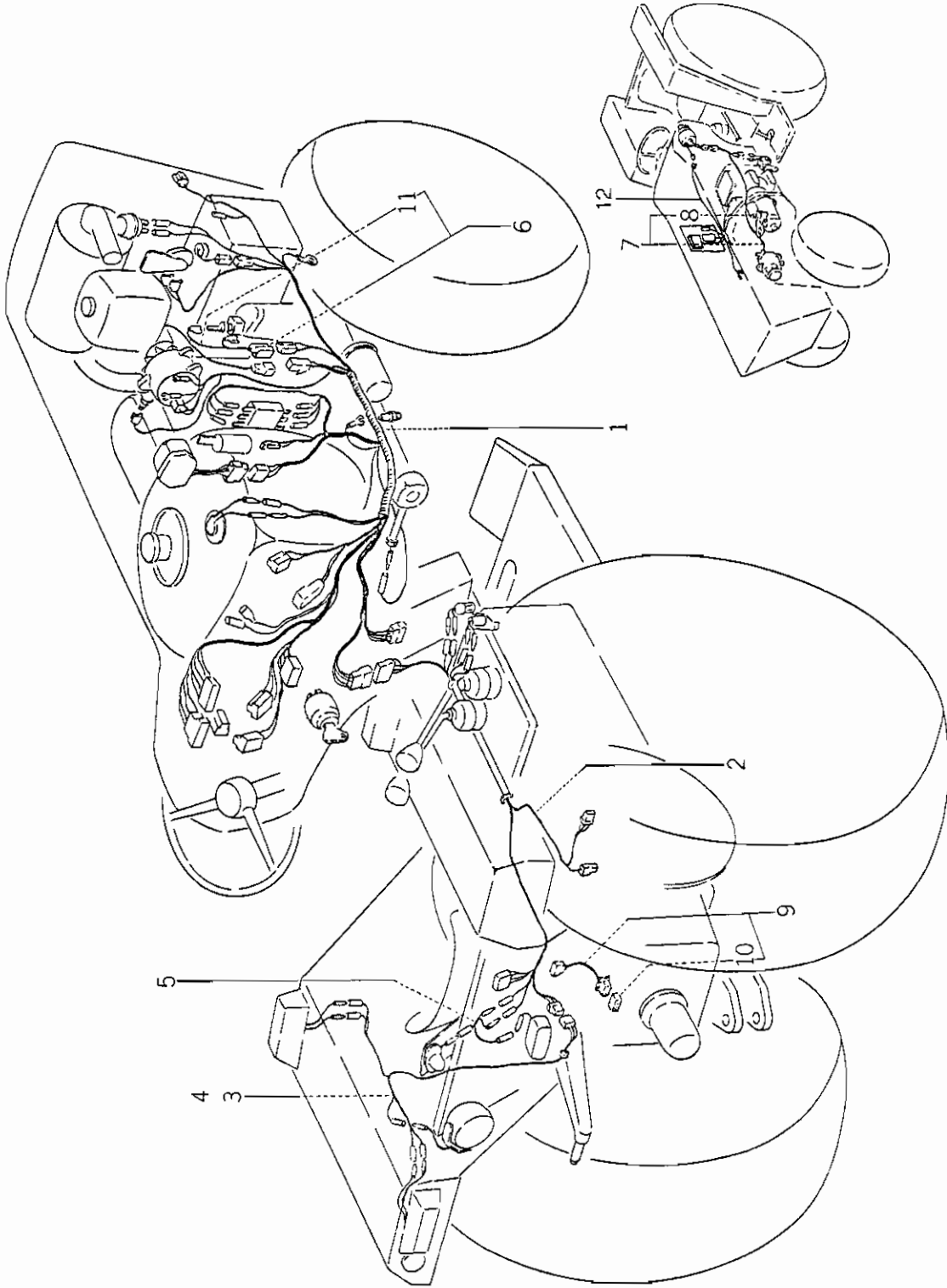
(1 - 278B)

SUPPLEMENT NO.

No. 8 - FEBRUARY, 1987



64. WIRING



BINDER NO.
ISP3002

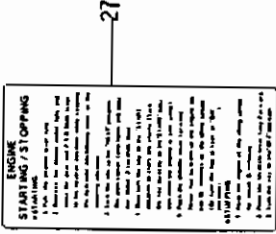
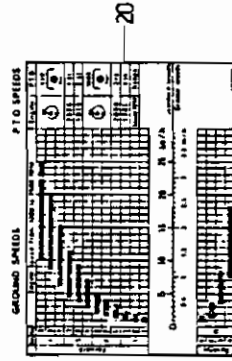
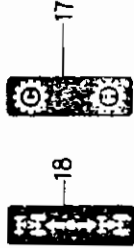
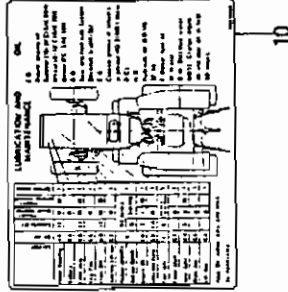
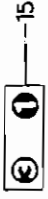
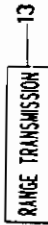
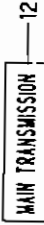
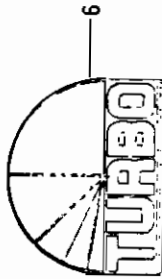
(1 - 279)

SUPPLEMENT NO.



65. NAME PLATE

SD5000T ~50000
SD5040T ~50000



BINDER NO.
ISP3002

(1 - 281)

SUPPLEMENT NO.



65. NAME PLATE

SD5000T ~500.00
SD5040T ~500.00

管理コード

REF.NO.	CODE NO.	PART	NAME	Q'ty										REMARKS		
				SD 4300	SD 4340	SD 4500	SD 4540	SD 5000T	SD 5040T	SD	SD	SD	SD		Min.Qty	
2	39011 3130	NAME PLATE; LH		1												
2	39011 3150	NAME PLATE; LH		1												
2	39011 3090	NAME PLATE; LH			1											
2	39011 3110	NAME PLATE; LH														
3	39011 3140	NAME PLATE; RH		1												
3	39011 3160	NAME PLATE; RH		1												
3	39011 3100	NAME PLATE; RH			1											
3	39011 3120	NAME PLATE; RH														
4	39011 2610	NAME PLATE; LH		1	1											
5	39011 2620	NAME PLATE; RH		1	1											
6	39011 2280	NAME PLATE; TURBO								2	2					
10	39021 0890	LUBRICATIO CHART		1												
10	39021 0880	LUBRICATIO CHART		1						1	1					
11	39037 0380	INDICATION PLATE		1	1					1	1					
12	39017 0200	INDICATION PLATE		1	1					1	1					
13	39017 0260	INDICATION PLATE		1	1					1	1					
14	39017 0190	INDICATION PLATE		1	1					1	1					
15	39017 0180	INDICATION PLATE		1	1					1	1					
16	39017 0250	INDICATION PLATE		1	1					1	1					
17	39017 0780	INDICATION PLATE		1	1					1	1					
18	39017 0830	INDICATION PLATE		1	1					1	1					
19	39019 1800	CAUTION PLATE		1	1					1	1					
20	39017 1160	INDICATION PLATE		1	1					1	1					
20	39017 1150	INDICATION PLATE		1	1					1	1					
21	39037 0640	INDICATION PLATE		1	1					1	1					
22	39037 0650	INDICATION PLATE		1	1					1	1					
23	39019 2470	CAUTION PLATE		1	1					1	1					
24	39019 2420	CAUTION PLATE		1	1					1	1					
25	39019 1340	CAUTION PLATE		1	1					1	1					
26	39019 1360	CAUTION PLATE		1	1					1	1					

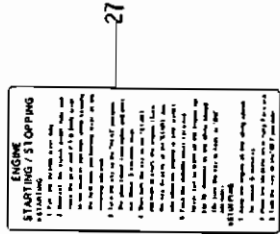
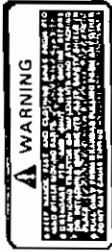
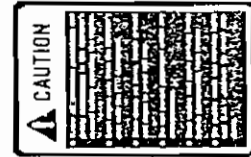
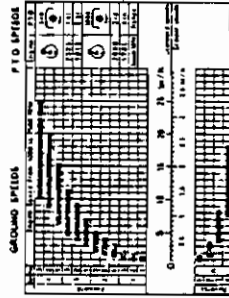
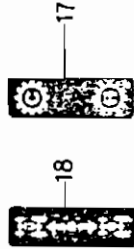
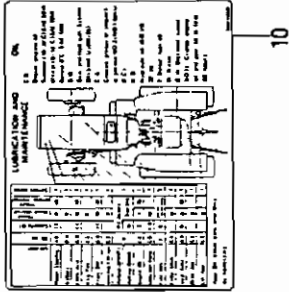
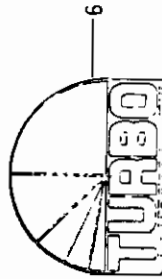
BINDER NO.
1SP3002

SUPPLEMENT NO.



65. NAME PLATE

SD5000T ~50000
SD5040T ~50000



BINDER NO.
ISP3002

(1 - 283)

SUPPLEMENT NO.

65. NAME PLATE



SD5000T ~50000
SD5040T ~50000

管理コード

REF.NO.	CODE NO.	PART	NAME	Qty							Min.Qty	REMARKS
				S	D	S	D	S	D	S		
27	39019 2510	CAUTION PLATE		4300	4340	4500	4540	5000T	5040T			
27	39019 2490	CAUTION PLATE		1	1			1	1			

BINDER NO.
I SP 3 0 0 2

SUPPLEMENT NO.



65A. NAME PLATE

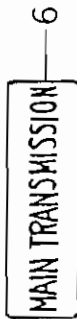
SD5000T 50001~
SD5040T 50001~



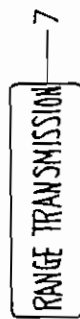
1, 2



3, 4



6



7



8



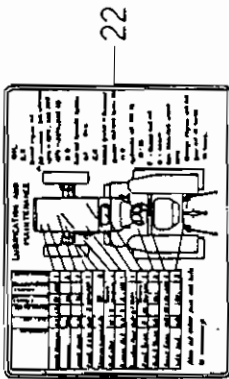
9



10



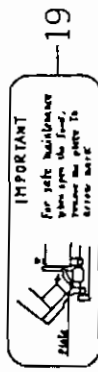
28, 29



22



15



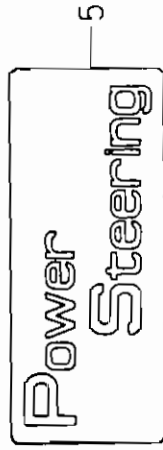
19



11



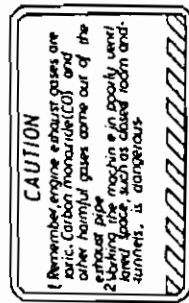
12



5



13



16



20



21



25



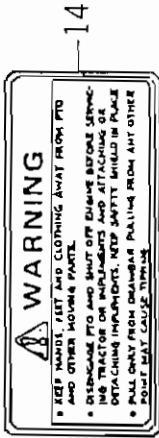
17



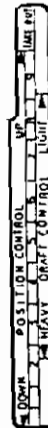
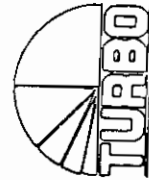
18



26



14



24

BINDER NO.
ISP3002

(1 - 285)

SUPPLEMENT NO.

No 5 - AUGUST, 1985

65A. NAME PLATE



SD5000T 50001~
SD5040T 50001~

管理コード

REF.NO.	CODE NO.	PART	NAME	Qty										REMARKS		
				S	D	S	D	S	D	S	D	S	D			
1	39011 4040	NAME PLATE; LH														
1	39011 4060	NAME PLATE; LH														
1	39011 4100	NAME PLATE; LH														
1	39011 4120	NAME PLATE; LH														
2	39011 4050	NAME PLATE; RH														
2	39011 4070	NAME PLATE; RH														
2	39011 4110	NAME PLATE; RH														
2	39011 4130	NAME PLATE; RH														
3	39011 2610	NAME PLATE; LH														
4	39011 2620	NAME PLATE; RH														
5	39011 0510	NAME PLATE; PS														
6	39017 0200	INDICATION PLATE														
7	39017 0260	INDICATION PLATE														
8	39017 0190	INDICATION PLATE														
9	39017 0180	INDICATION PLATE														
10	39017 0250	INDICATION PLATE														
11	39017 0830	INDICATION PLATE														
12	39017 0780	INDICATION PLATE; CREEP														
13	39037 0650	INDICATION PLATE														
14	39019 1360	CAUTION PLATE														
15	39019 3430	CAUTION PLATE														
16	39019 3080	CAUTION PLATE														
17	39019 3110	CAUTION PLATE														
18	39019 3090	CAUTION PLATE														
19	39019 2470	CAUTION PLATE														
20	39019 3210	CAUTION PLATE														
21	39019 2910	CAUTION PLATE														
22	39021 1100	LUBRICATIO CHART														
22	39021 1110	LUBRICATIO CHART														
22	39021 1120	LUBRICATIO CHART														

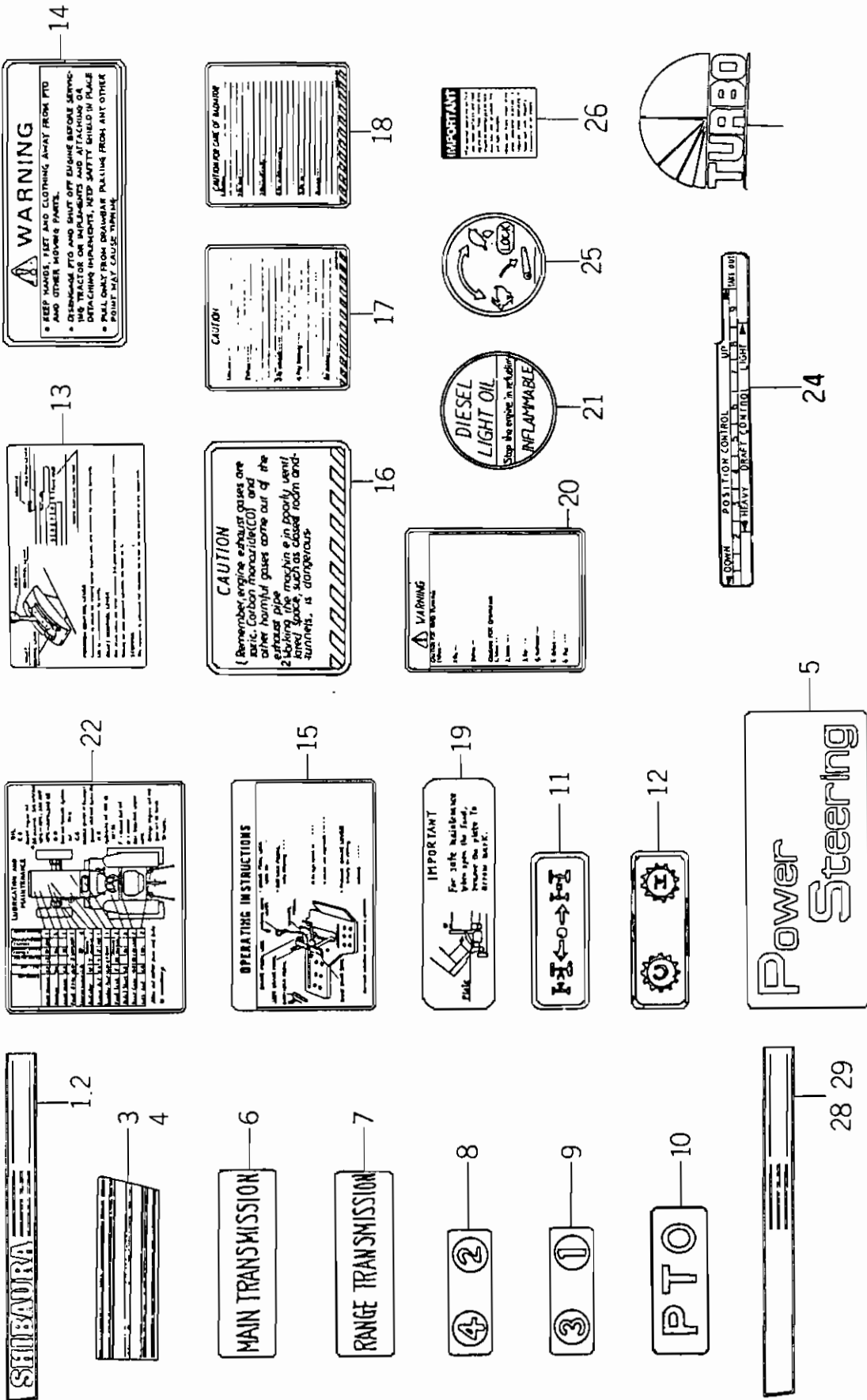
BINDER NO.	1 S P 3 0 0 2
SUPPLEMENT NO.	





SD5000T 50001~
SD5040T 50001~

65A. NAME PLATE



BINDER NO
ISP3002

(1 - 287)

SUPPLEMENT NO. No. 5 - AUGUST, 1985

65A. NAME PLATE



SD5000T
SD5040T

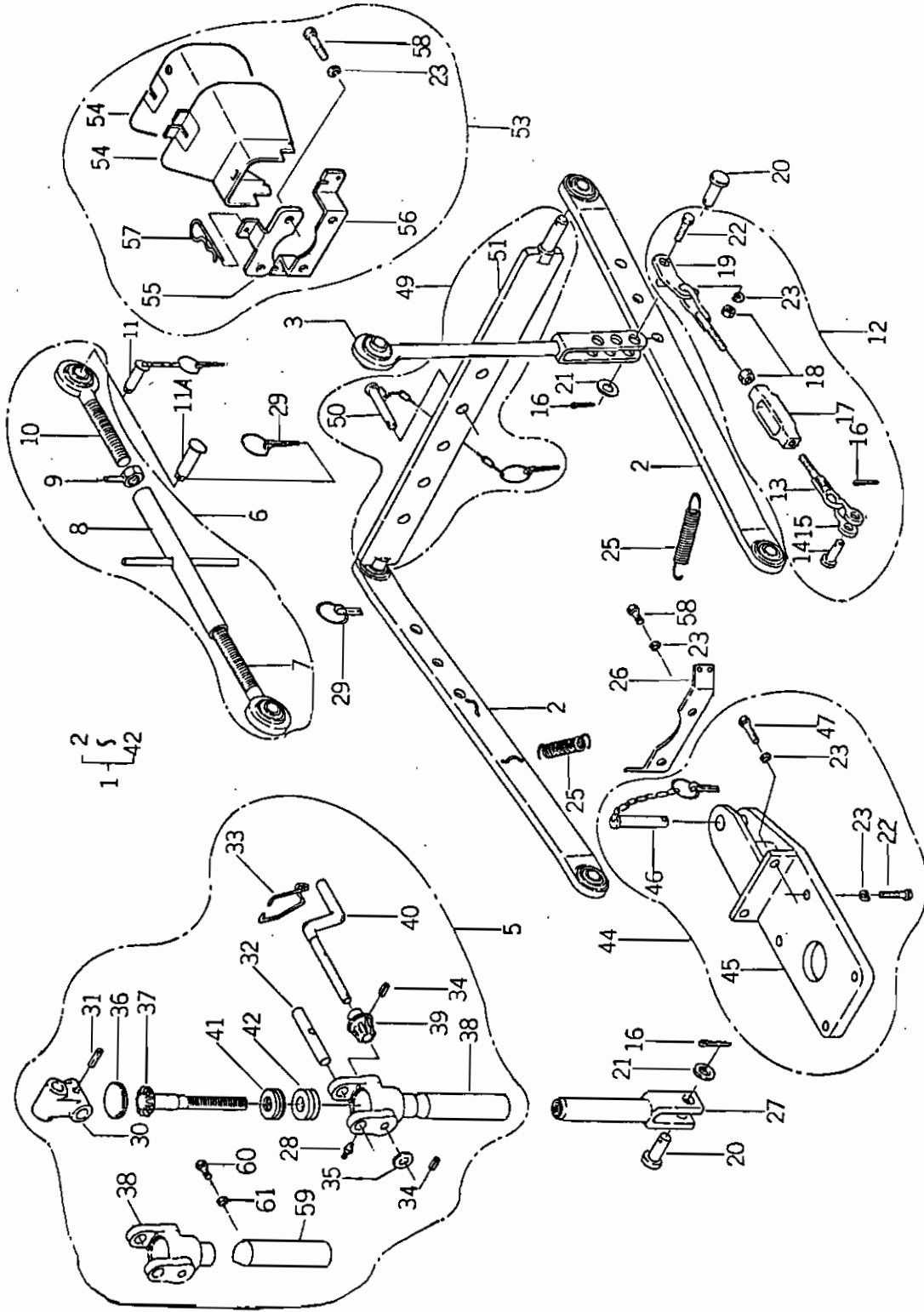
50001~
50001~

管理コード

REF.NO.	CODE NO.	PART	NAME	Q'ty										Min.Qty	REMARKS	
				S	D	S	D	S	D	S	D	S	D			S
22	39021 1130	LUBRICATIO CHART														
24	39037 0640	INDICATION PLATE		1				1								
25	39037 0950	INDICATION PLATE		1				1								
26	39019 2420	CAUTION PLATL		1				1								
27	39011 2280	NAME PLATE; TURBO						2					2			
28	39011 4610	NAME PLATE; L.H										1				OPTION
28	39011 4630	NAME PLATE; L.H										1				OPTION
29	39011 4620	NAME PLATE; R.H										1				OPTION
29	39011 4640	NAME PLATE; R.H										1				OPTION



66. THREE-POINTS LINKAGE



ハインダー
BINDER NO.
ISP3002

改訂番号年月
SUPPLEMENT NO. No.8 - FEBRUARY, 1987

66. THREE-POINTS LINKAGE

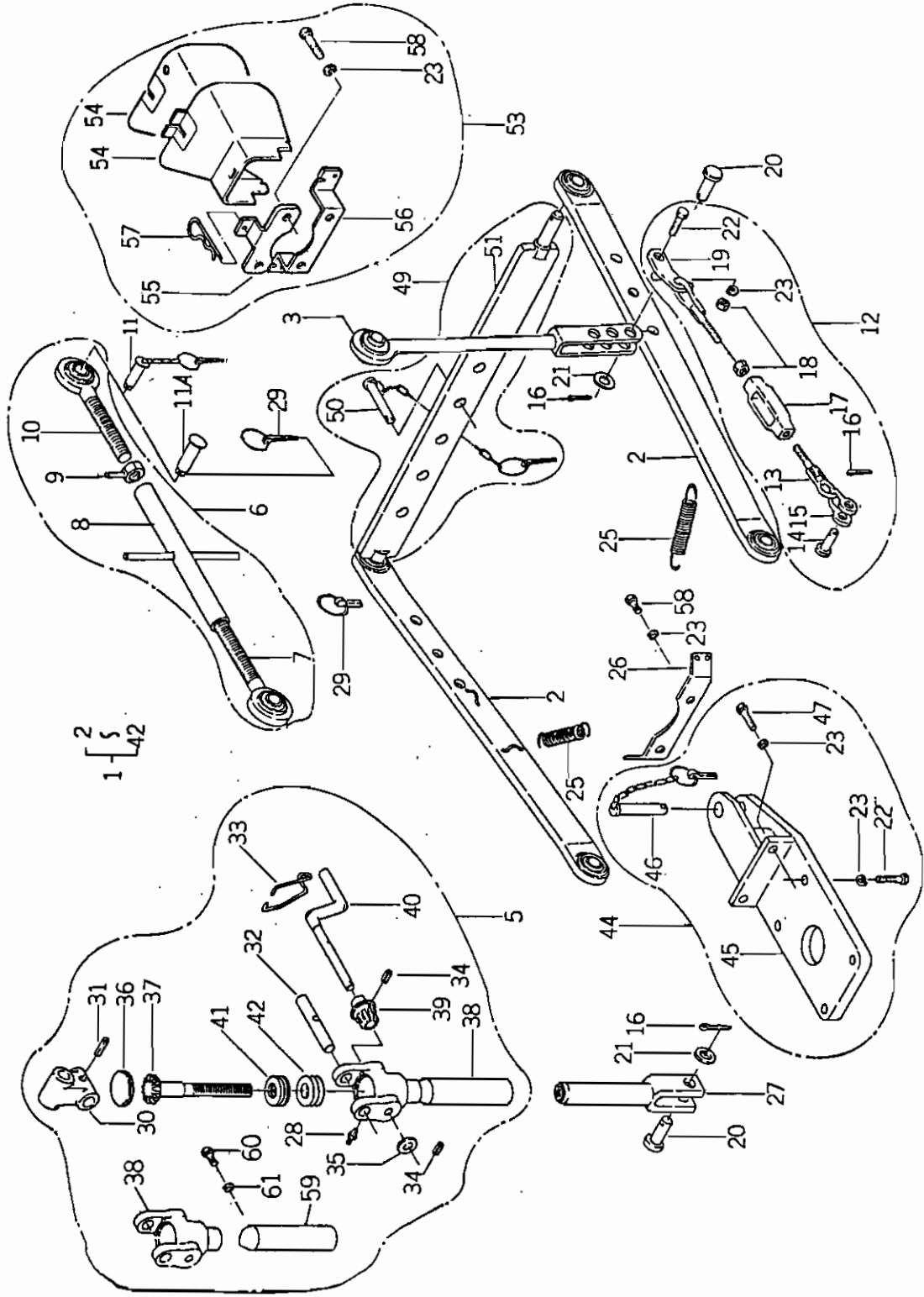


管理コード

REFNO.	CODE NO.	PART	NAME	Qty												REMARKS
				S D 4300	S D 4340	S D 4500	S D 4540	S D 5000T	S D 5040T	Min.Qty						
1	37000 0070	THREE POINT LINKAGE		1	1	1	1	1	1	1	1	1	1	1		
2	37010 0400	LOWER LINK		2	2	2	2	2	2	2	2	2	2	2		(c)CAT, 1 0034 (d)CAT, 1 0035
2	37010 0401	LOWER LINK		2	2	2	2	2	2	2	2	2	2	2		
3	37020 0710	LIFT ROD; L.H		1	1	1	1	1	1	1	1	1	1	1		(c) 0210
3	37020 0711	LIFT ROD; L.H		1	1	1	1	1	1	1	1	1	1	1		(d) 0211
5	37001 0340	LIFT ROD ASS'Y		1	1	1	1	1	1	1	1	1	1	1		(c) 0141
5	37001 0341	LIFT ROD ASS'Y		1	1	1	1	1	1	1	1	1	1	1		(d) 0142
6	37001 0350	LIFT ROD ASS'Y		1	1	1	1	1	1	1	1	1	1	1		
7	37020 0291	LIFT ROD; L.H		1	1	1	1	1	1	1	1	1	1	1		
8	37040 0130	TURN BUCKLE		1	1	1	1	1	1	1	1	1	1	1		
9	39935 0060	LOCK NUT		1	1	1	1	1	1	1	1	1	1	1		
10	37020 0281	LIFT ROD; R.H		1	1	1	1	1	1	1	1	1	1	1		CAT, 1
11	37090 0050	PIN		2	2	2	2	2	2	2	2	2	2	2		(a)
11A	37091 0291	PIN		2	2	2	2	2	2	2	2	2	2	2		(b)
12	37005 0170	STABILIZER ASS'Y		2	2	2	2	2	2	2	2	2	2	2		(c) 0070
12	37005 0171	STABILIZER ASS'Y		2	2	2	2	2	2	2	2	2	2	2		(d)
13	37050 0370	STABILIZER		2	2	2	2	2	2	2	2	2	2	2		(c) 0131
13	37050 0371	STABILIZER		2	2	2	2	2	2	2	2	2	2	2		(d) 0132
14	37091 0210	PIN		2	2	2	2	2	2	2	2	2	2	2		
15	39828 0050	SHACKLE		2	2	2	2	2	2	2	2	2	2	2		
16	03010 4030	SPLIT PIN		4	4	4	4	4	4	4	4	4	4	4		
17	39916 0150	TURN BUCKLE		2	2	2	2	2	2	2	2	2	2	2		
18	02010 0016	NUT		4	4	4	4	4	4	4	4	4	4	4		
19	37050 0360	STABILIZER		2	2	2	2	2	2	2	2	2	2	2		(c) 0121
19	37050 0361	STABILIZER		2	2	2	2	2	2	2	2	2	2	2		(d) 0122
20	37091 0200	PIN		2	2	2	2	2	2	2	2	2	2	2		
21	02610 0016	WASHER		2	2	2	2	2	2	2	2	2	2	2		
22	01011 1650	BOLT		6	6	6	6	6	6	6	6	6	6	6		
23	02710 0016	SPRING WASHER		12	12	12	12	12	12	12	12	12	12	12		
25	39821 1440	SPRING		2	2	2	2	2	2	2	2	2	2	2		



66. THREE-POINTS LINKAGE



バンダー NO.
BINDER NO.
ISP3002

改訂番号年月
SUPPLEMENT NO. No 8 - FEBRUARY, 1987

66. THREE-POINTS LINKAGE

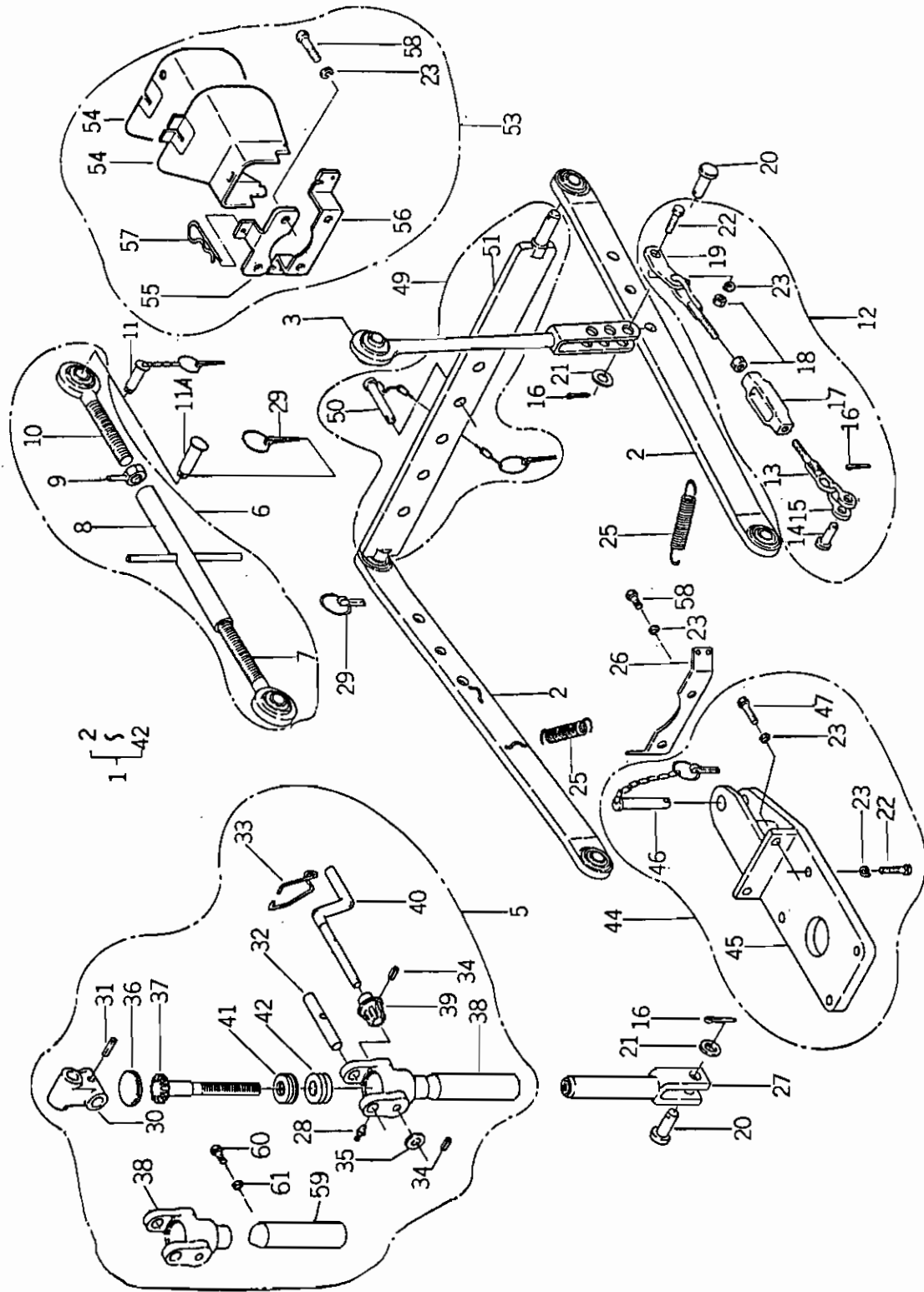


管理コード

REF.NO.	CODE NO.	PART	NAME	Qty												REMARKS	
				S	D	S	D	S	D	S	D	S	D	S	D		
26	37061 0500	PLATE		1	1	1	1	1	1	1	1	1	1	1	1	1	
27	37020 0720	LIFT ROD; R.H		1	1	1	1	1	1	1	1	1	1	1	1	1	(c) 0270
27	37020 0721	LIFT ROD; R.H		1	1	1	1	1	1	1	1	1	1	1	1	1	(d) 0271
28	06062 0000	GREASE NIPPLE		1	1	1	1	1	1	1	1	1	1	1	1	1	(c)
28	06061 0000	GREASE NIPPLE		1	1	1	1	1	1	1	1	1	1	1	1	1	(d)
29	37090 0030	PIN		6	6	6	6	6	6	6	6	6	6	6	6	6	0051
30	37024 0100	JOINT		1	1	1	1	1	1	1	1	1	1	1	1	1	
31	03030 0532	SPRING PIN		1	1	1	1	1	1	1	1	1	1	1	1	1	
32	37091 0221	PIN		1	1	1	1	1	1	1	1	1	1	1	1	1	
33	39821 0300	SPRING		1	1	1	1	1	1	1	1	1	1	1	1	1	
34	03030 0620	SPRING PIN		2	2	2	2	2	2	2	2	2	2	2	2	2	
35	02610 0012	WASHER		1	1	1	1	1	1	1	1	1	1	1	1	1	
36	06410 0045	EXPANTION PLUG		1	1	1	1	1	1	1	1	1	1	1	1	1	
37	37023 0050	SCREW		1	1	1	1	1	1	1	1	1	1	1	1	1	
38	37025 0010	JOINT BRACKET		1	1	1	1	1	1	1	1	1	1	1	1	1	(c)
38	37026 0150	JOINT BRACKET		1	1	1	1	1	1	1	1	1	1	1	1	1	(d) 0031
39	37081 0022	BEVEL GEAR		1	1	1	1	1	1	1	1	1	1	1	1	1	0021
40	37082 0130	HANDLE		1	1	1	1	1	1	1	1	1	1	1	1	1	
41	39856 0400	BEARING		1	1	1	1	1	1	1	1	1	1	1	1	1	
42	39928 0310	SHIM		A/R	A/R	A/R	A/R	A/R	A/R	A/R	A/R	A/R	A/R	A/R	A/R	A/R	
44	37002 0310	HITCH ASS'Y; TRAILER		1	1	1	1	1	1	1	1	1	1	1	1	1	
45	37065 0420	HITCH		1	1	1	1	1	1	1	1	1	1	1	1	1	
46	37090 0180	PIN		1	1	1	1	1	1	1	1	1	1	1	1	1	
47	01011 1645	BOLT		2	2	2	2	2	2	2	2	2	2	2	2	2	OPTION
49	37007 020	CRAWBAR ASS'Y		1	1	1	1	1	1	1	1	1	1	1	1	1	
50	37090 0110	PIN		1	1	1	1	1	1	1	1	1	1	1	1	1	
51	37070 0010	DRAWBAR		1	1	1	1	1	1	1	1	1	1	1	1	1	CAT. 1
53	37801 0020	GUARD ASS'Y		1	1	1	1	1	1	1	1	1	1	1	1	1	
54	37810 1170	GUARD; P.T.O		1	1	1	1	1	1	1	1	1	1	1	1	1	(e)
54	37811 4600	GUARD; P.T.O		1	1	1	1	1	1	1	1	1	1	1	1	1	(f)



66. THREE-POINTS LINKAGE



バインダー NO.
BINDER NO.
ISP3002

改訂番号年月
SUPPLEMENT NO. No.8 - FEBRUARY, 1987



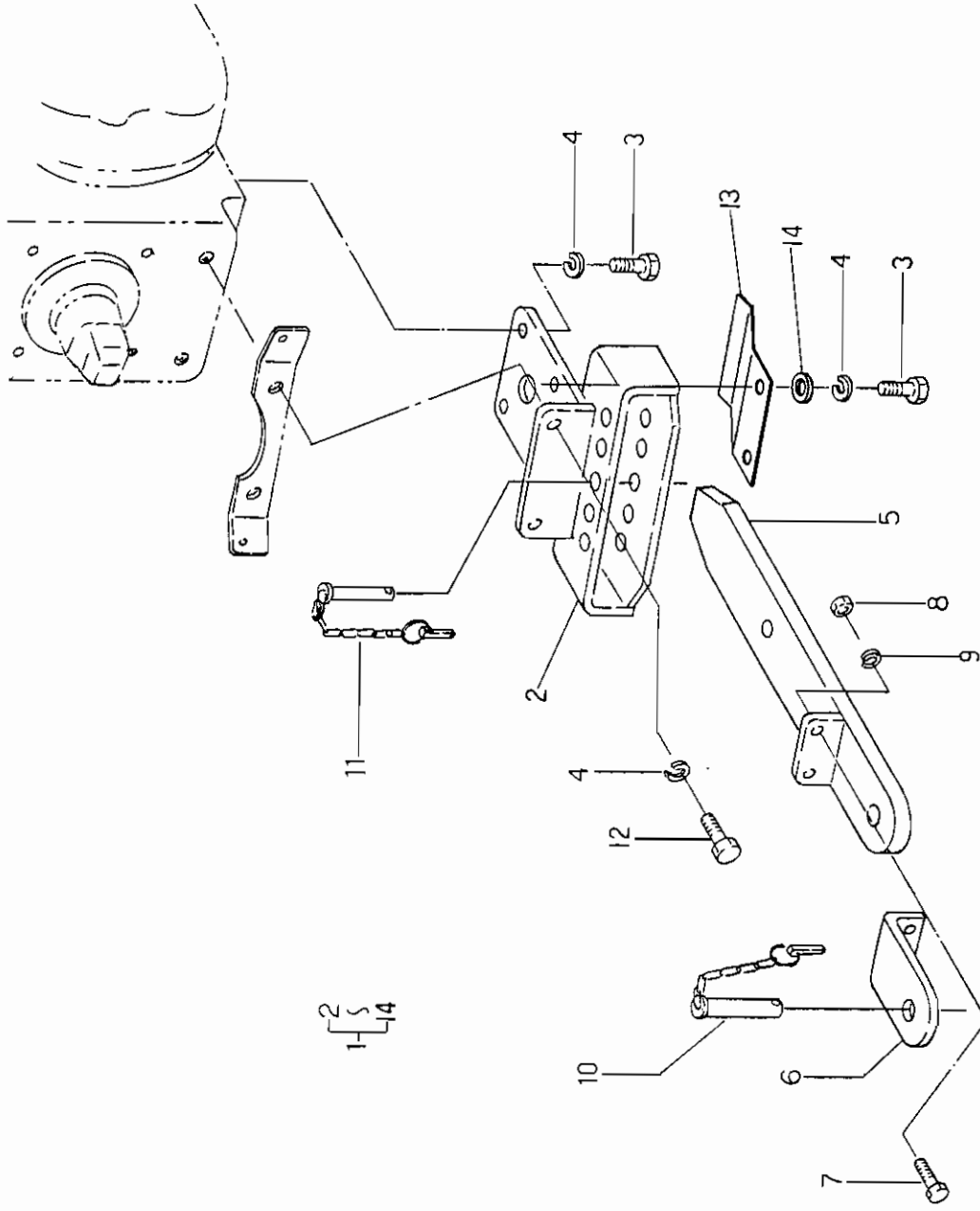
66. THREE-POINTS LINKAGE

管理コード

REF.NO	CODE NO.	PART	NAME	Q'ty										REMARKS		
				SD 4300	SD 4340	SD 4500	SD 4540	SD 5000T	SD 5040T	SD 10109	SD 10110	SD 10109	SD 10110		Min.Qty	
55	37812 0450	STAY		1	1	1	1	1	1	1	1	1	1	1		
56	37812 0460	STAY		1	1	1	1	1	1	1	1	1	1	1		
57	39973 0010	PIN		1	1	1	1	1	1	1	1	1	1	1		
58	01010 1630	BOLT		4	4	4	4	4	4	4	4	4	4	4		
59	37042 0380	PIPE		1	1	1	1	1	1	1	1	1	1	1		(d) 0131
60	01114 0612	BOLT		1	1	1	1	1	1	1	1	1	1	1		(d)
61	02610 0006	WASHER		1	1	1	1	1	1	1	1	1	1	1		(d)
	{ SD4300 ~15211		{ SD4300 15212~													
	{ SD4340 ~16373		{ SD4340 16374~													
	{ SD5000T ~15211		{ SD5000T 15212~													
	{ SD5040T ~16386		{ SD5040T 16387~													
	{ SD4500 ~10038		{ SD4500 ~10038													
	{ SD4540 ~10038		{ SD4540 ~10038													
	{ SD5000T ~50344		{ SD5000T ~50344													
	{ SD5040T ~50344		{ SD5040T ~50344													
	{ SD4500 ~10039~		{ SD4500 ~10039~													
	{ SD4540 ~10039~		{ SD4540 ~10039~													
	{ SD5000T ~50345~		{ SD5000T ~50345~													
	{ SD5040T ~50345~		{ SD5040T ~50345~													
	{ SD4500 ~10109		{ SD4500 ~10109													
	{ SD5000T ~50625		{ SD5000T ~50625													
	{ SD4500 ~4540		{ SD4500 ~4540													
	{ SD5000T ~5040T		{ SD5000T ~5040T													
	{ SD4500 ~4540 10110 ~		{ SD4500 ~4540 10110 ~													
	{ SD5000T ~5040T 50626 ~		{ SD5000T ~5040T 50626 ~													



67. TRAILER HITCH; SWING SLIDE TYPE



BINDER NO.
ISP3002

(1 - 293)

SUPPLEMENT NO.

67. TRAILER HITCH; SWING SLIDE TYPE

管理コード

REFNO.	CODE NO.	PART	NAME	Qty										Mtr.Qty	REMARKS	
				SD 4300	SD 4340	SD 4500	SD 4540	SD 5000T	SD 5040T	SD	SD	SD	SD			
1	37002 0110	HITCH ASS'Y; SWITCH		1	1	1	1	1	1	1	1	1	1	1		OPTION
2	37065 0440	HITCH		1	1	1	1	1	1	1	1	1	1	1		
3	01011 1640	BOLT		6	6	6	6	6	6	6	6	6	6	6		
4	02710 0016	SPRING WASHER		6	6	6	6	6	6	6	6	6	6	6		
5	37070 0120	DRAWBER		1	1	1	1	1	1	1	1	1	1	1		
5	37070 0121	DRAWBER		1	1	1	1	1	1	1	1	1	1	1		
6	37067 0950	PLATE		1	1	1	1	1	1	1	1	1	1	1		
7	01011 1240	BOLT		2	2	2	2	2	2	2	2	2	2	2		
8	39937 0210	NUT		2	2	2	2	2	2	2	2	2	2	2		
8	02240 0012	U-NUT		2	2	2	2	2	2	2	2	2	2	2		
9	02710 0012	SPRING WASHER		2	2	2	2	2	2	2	2	2	2	2		
10	37090 0180	PIN		1	1	1	1	1	1	1	1	1	1	1		
11	37090 0110	PIN		1	1	1	1	1	1	1	1	1	1	1		
12	01011 1645	BOLT		2	2	2	2	2	2	2	2	2	2	2		
13	39821 2570	SPRING		1	1	1	1	1	1	1	1	1	1	1		(a)
14	02610 0016	WASHER		2	2	2	2	2	2	2	2	2	2	2		(a)

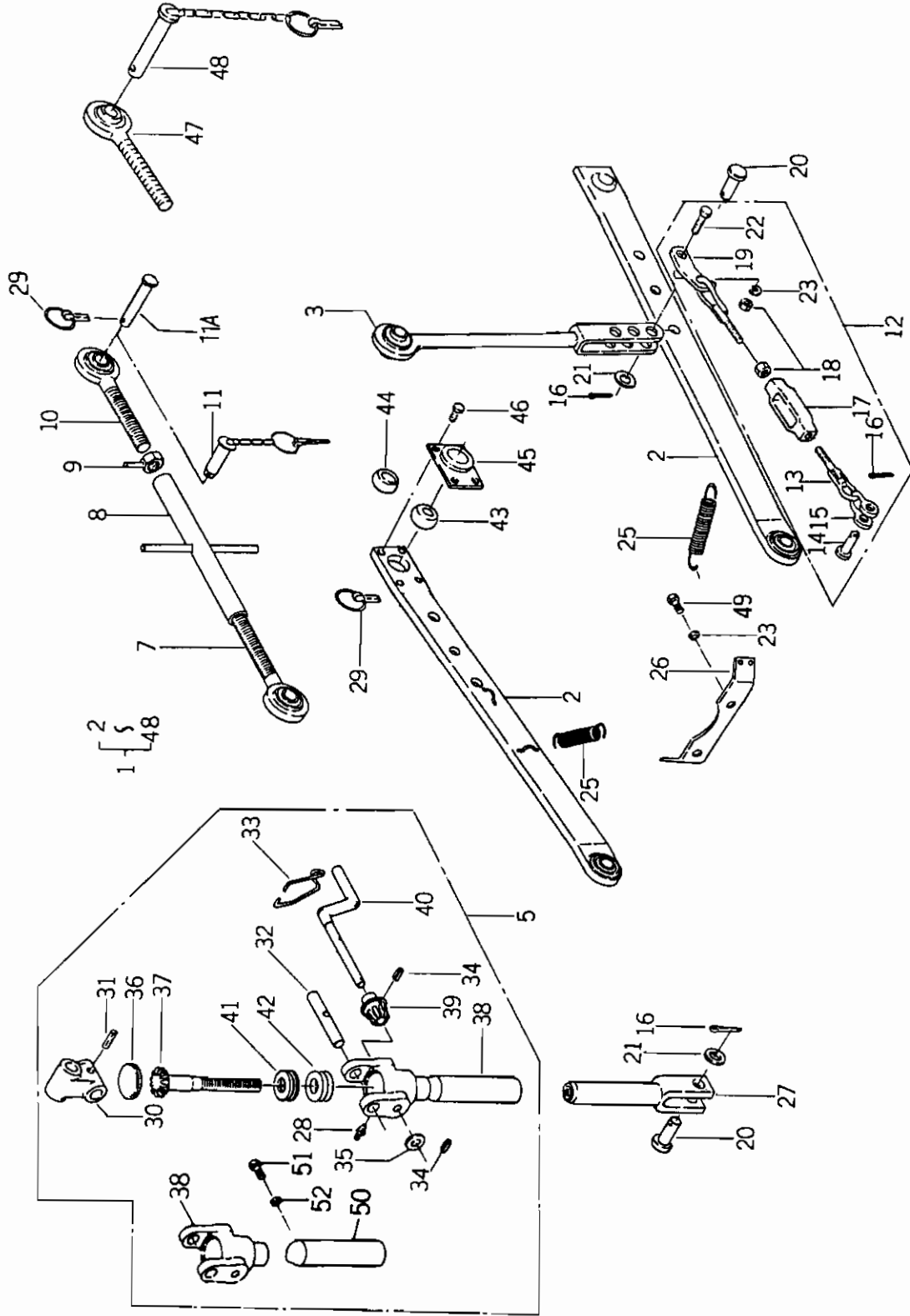
(a) { SD4300 15214~
SD4340 16582~
SD5000T 15214~
SD5040T 16597~

BINDER NO.
ISP3002

SUPPLEMENT NO.



68. THREE-POINTS LINKAGE; OPTION



SUPPLEMENT NO.	No. 6 - FEBRUARY 1986
----------------	-----------------------

BINDER NO.	1 SP 3 n 0 2
------------	--------------



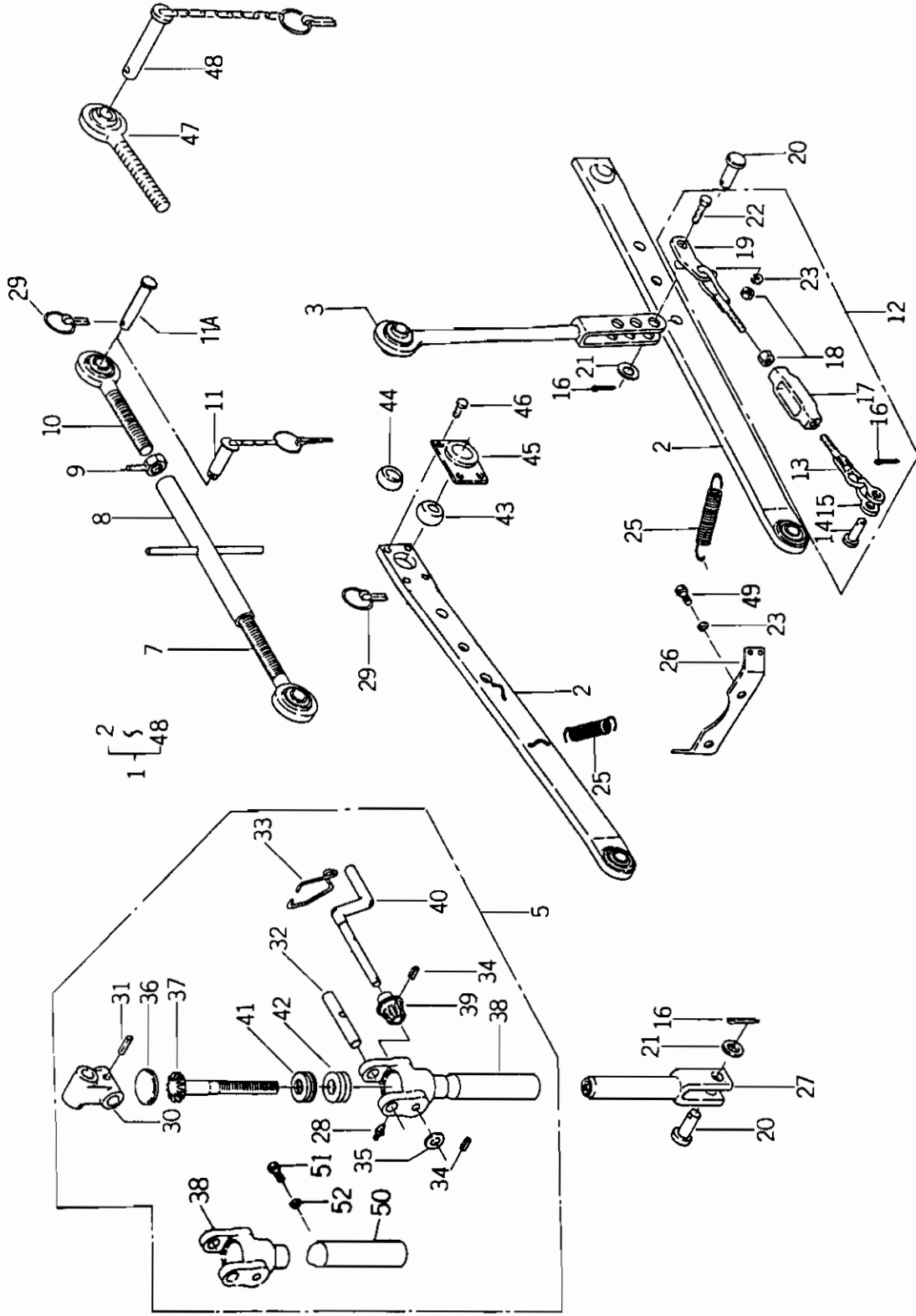
68. THREE-POINTS LINKAGE; OPTION

管理コード

REF.NO.	CODE NO.	PART	NAME	Qty												Min.Qty	REMARKS
				S	D	S	D	S	D	S	D	S	D	S	D		
1	37000 0090	THREE POINT LINKAGE		4300	4340	4500	4540	5000T	5040T	S	D	S	D		CAT. I, II (e)		
1	37000 0091	THREE POINT LINKAGE		1	1	1	1	1	1	1	1	1	1		CAT. I, II (f)		
2	37010 0080	LOWER LINK		2	2	2	2	2	2	2	2	2	2		CAT. I, II (e)		
2	37010 0081	LOWER LINK		2	2	2	2	2	2	2	2	2	2		CAT. I, II (f)		
3	37020 0710	LIFT ROD; L.H		1	1	1	1	1	1	1	1	1	1		(c) 0210		
3	37020 0711	LIFT ROD; L.H		1	1	1	1	1	1	1	1	1	1		(d) 0211		
5	37001 0340	LIFT ROD ASS'Y		1	1	1	1	1	1	1	1	1	1		(c) 0141		
5	37001 0341	LIFT ROD ASS'Y		1	1	1	1	1	1	1	1	1	1		(d) 0142		
6	37001 0350	LIFT ROD ASS'Y		1	1	1	1	1	1	1	1	1	1		CAT. I		
7	37020 0291	LIFT ROD; L.H		1	1	1	1	1	1	1	1	1	1				
8	37040 0130	TURN BUCKLE		1	1	1	1	1	1	1	1	1	1				
9	39935 0060	LOCK NUT		1	1	1	1	1	1	1	1	1	1				
10	37020 0281	LIFT ROD; R.H		1	1	1	1	1	1	1	1	1	1		CAT. I(c)		
11	37090 0050	PIN		1	1	1	1	1	1	1	1	1	1		(a)CAT. I		
11A	37091 0291	PIN		2	2	2	2	2	2	2	2	2	2		(b)CAT. I		
12	37005 0170	STRABILIZER ASS'Y		2	2	2	2	2	2	2	2	2	2		(c) 0070		
12	37005 0171	STRABILIZER ASS'Y		2	2	2	2	2	2	2	2	2	2		(d)		
13	37050 0370	STRABILIZER		2	2	2	2	2	2	2	2	2	2		(c) 0131		
13	37050 0371	STRABILIZER		2	2	2	2	2	2	2	2	2	2		(d) 0132		
14	37091 0210	PIN		2	2	2	2	2	2	2	2	2	2				
15	39828 0050	SHACKLE		2	2	2	2	2	2	2	2	2	2				
16	03010 4030	SPLIT PIN		4	4	4	4	4	4	4	4	4	4				
17	39916 0150	TURN BUCKLE		2	2	2	2	2	2	2	2	2	2				
18	02010 0016	NUT		4	4	4	4	4	4	4	4	4	4				
19	37050 0360	STABILIZER		2	2	2	2	2	2	2	2	2	2		(c) 0121		
19	37050 0361	STABILIZER		2	2	2	2	2	2	2	2	2	2		(d) 0122		
20	37091 0200	PIN		2	2	2	2	2	2	2	2	2	2				
21	02610 0016	WASHER		2	2	2	2	2	2	2	2	2	2				
22	01011 1650	BOLT		2	2	2	2	2	2	2	2	2	2				
23	02710 0016	SPRING WASHER		4	4	4	4	4	4	4	4	4	4				



68. THREE-POINTS LINKAGE; OPTION



BINDER NO.
ISP3002

SUPPLEMENT NO. No 6 - FEBRUARY, 1986



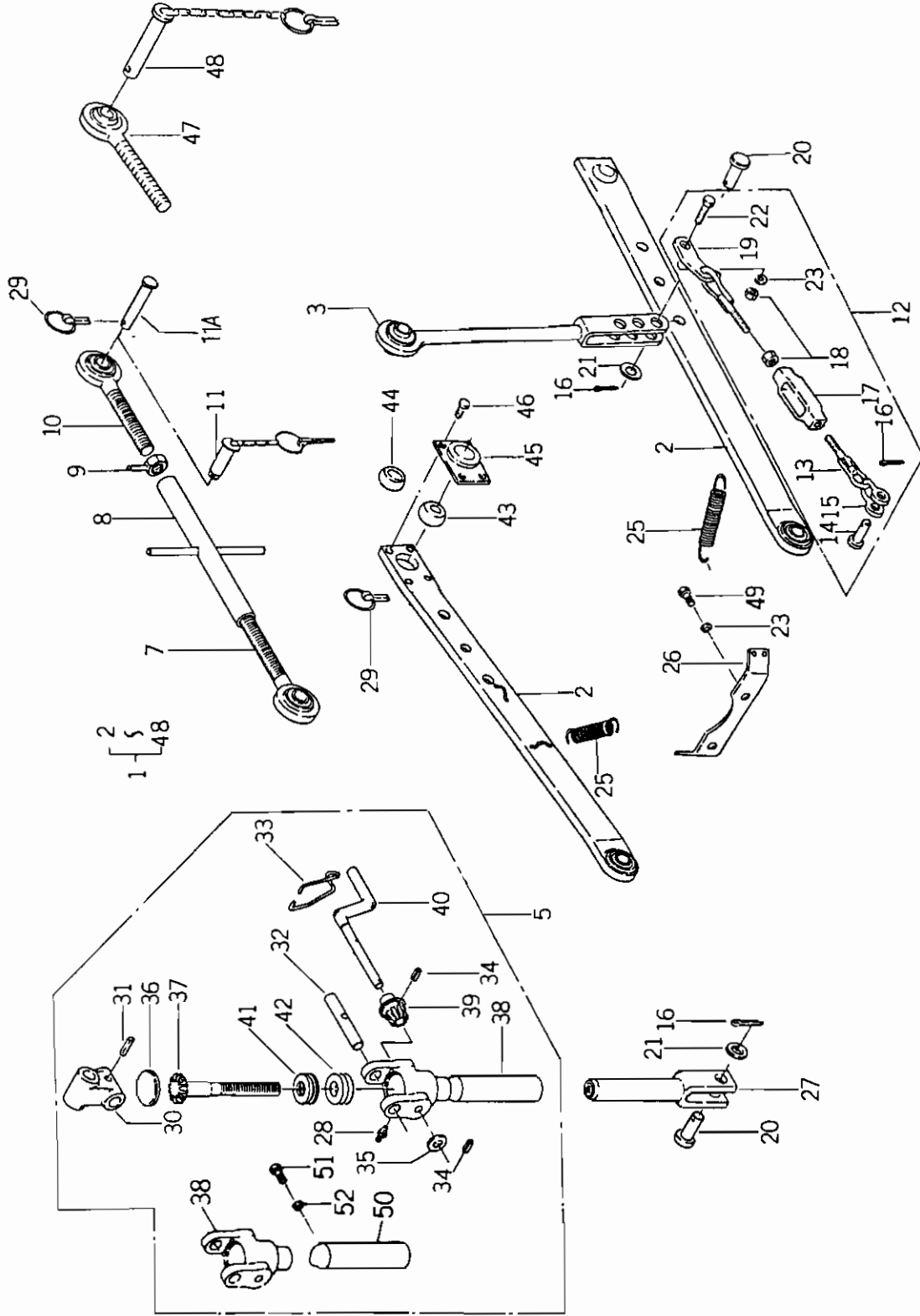
68. THREE-POINTS LINKAGE; OPTION

管理コード

REF.NO.	CODE NO.	PART	NAME	Q'ty										REMARKS	
				S	D	S	D	S	D	S	D	S	D		
25	39821 1440	SPRING		4300	4340	4500	4540	5000T	5040T	S	D	S	D		
26	37061 0500	PLATE		1	1	1	1	1	1	1	1	1	1		
27	37020 0720	LIFT ROD; R.H		1	1	1	1	1	1	1	1	1	1		
27	37020 0721	LIFT ROD; R.H		1	1	1	1	1	1	1	1	1	1		(c) \varnothing 0270
28	06062 0000	GREASE NIPPLE		1	1	1	1	1	1	1	1	1	1		(d) \varnothing 0271
28	06061 0000	GREASE NIPPLE		1	1	1	1	1	1	1	1	1	1		(c)
29	37090 0030	PIN		6	6	6	6	6	6	6	6	6	6		(d)
30	37024 0100	JOINT		1	1	1	1	1	1	1	1	1	1		0051
31	03030 0532	SPRING PIN		1	1	1	1	1	1	1	1	1	1		
32	37091 0221	PIN		1	1	1	1	1	1	1	1	1	1		
33	39821 0300	SPRING		1	1	1	1	1	1	1	1	1	1		
34	03030 0620	SPRING PIN		2	2	2	2	2	2	2	2	2	2		
35	02610 0012	WASHER		1	1	1	1	1	1	1	1	1	1		
36	06410 0045	EXPANTION PLUG		1	1	1	1	1	1	1	1	1	1		
37	37023 0050	SCREW		1	1	1	1	1	1	1	1	1	1		
38	37025 0010	JOINT BRACKET		1	1	1	1	1	1	1	1	1	1		(c)
38	37026 0150	JOINT BRACKET		1	1	1	1	1	1	1	1	1	1		(d) 0031
39	37081 0022	BEVEL GEAR		1	1	1	1	1	1	1	1	1	1		0021
40	37082 0130	HANDLE		1	1	1	1	1	1	1	1	1	1		
41	39856 0400	BEARING		1	1	1	1	1	1	1	1	1	1		
42	39928 0310	SHIM		AR	AR	AR	AR	AR	AR	AR	AR	AR	AR		
43	37013 0070	JOINT BALL		2	2	2	2	2	2	2	2	2	2		CAT. I (e)
43	37013 0071	JOINT BALL		2	2	2	2	2	2	2	2	2	2		CAT. I (f)
44	37013 0080	JOINT BALL		2	2	2	2	2	2	2	2	2	2		CAT. II (e)
44	37013 0081	JOINT BALL		2	2	2	2	2	2	2	2	2	2		CAT. II (f)
45	37014 0060	JOINT HOLDER		2	2	2	2	2	2	2	2	2	2		(e)
45	37014 0061	JOINT HOLDER		2	2	2	2	2	2	2	2	2	2		(f)
46	01131 1025	BOLT		8	8	8	8	8	8	8	8	8	8		
47	37020 0330	LIFT ROD; R.H		1	1	1	1	1	1	1	1	1	1		(c) CAT. II \varnothing
47	37020 1010	LIFT ROD; R.H		1	1	1	1	1	1	1	1	1	1		(d) CAT. II \varnothing Feb., 1987



68. THREE-POINTS LINKAGE; OPTION



(1 - 298A)

SUPPLEMENT NO.	No. 6 - FEBRUARY, 1986
----------------	------------------------

BINDER NO.	ISP3002
------------	---------



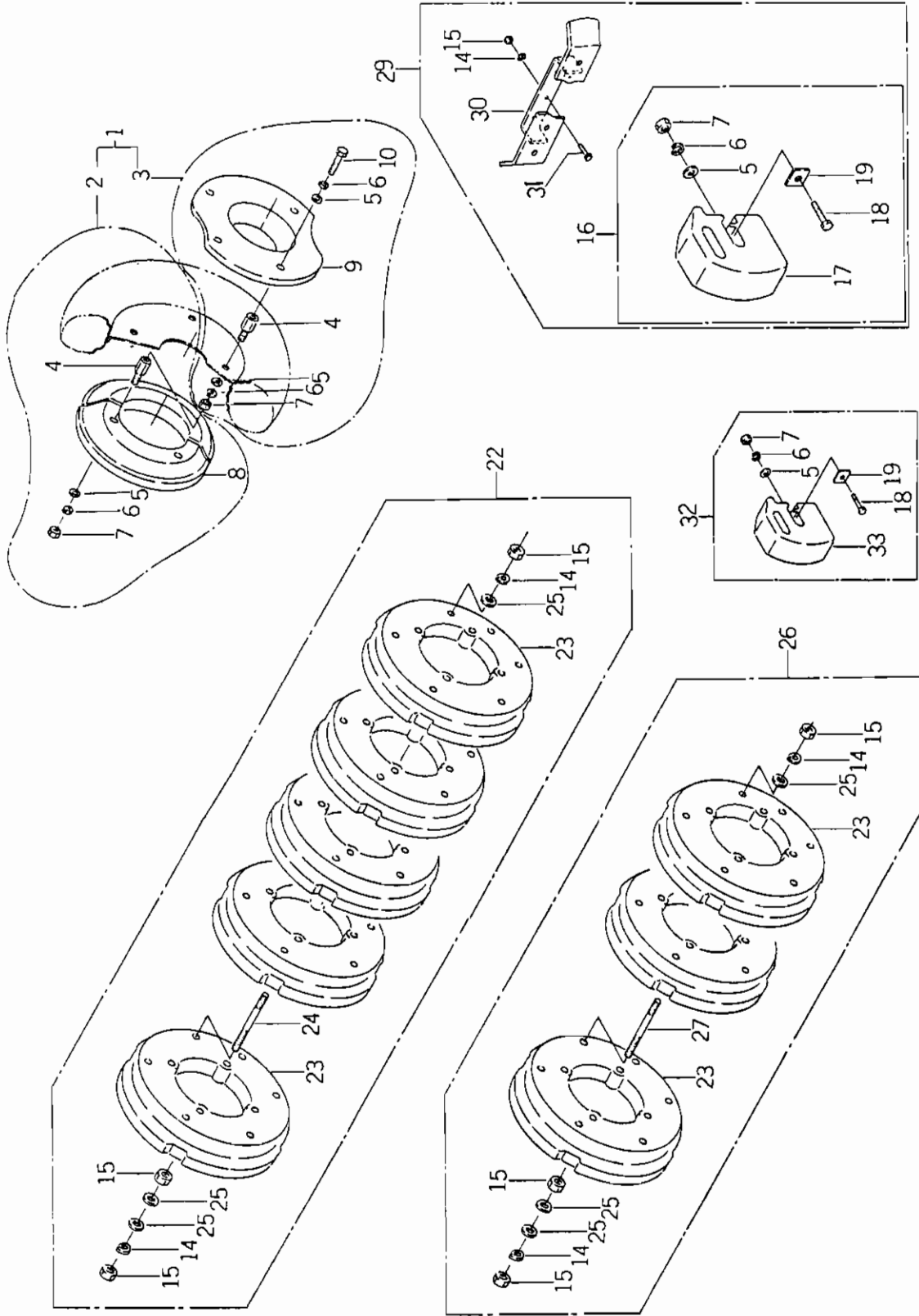
68. THREE-POINTS LINKAGE; OPTION

管理コード

REFNO.	CODE NO.	PART	NAME	Qty												Min. Qty	REMARKS				
				SD 4300	SD 4340	SD 4500	SD 4540	SD 5000T	SD 5040T	SD 4300	SD 4340	SD 4500	SD 4540	SD 5000T	SD 5040T						
48	37090 0160	PIN		1	1	1	1	1	1	1	1	1	1	1		(c) CAT. II					
48	37090 0180	PIN		1	1	1	1	1	1	1	1	1	1	1		(d) CAT. II					
49	01010 1630	BOLT		2	2	2	2	2	2	2	2	2	2	2		Aug., 1986					
50	37042 0380	PIPE		1	1	1	1	1	1	1	1	1	1	1		(d) 0131					
51	01114 0612	BOLT		1	1	1	1	1	1	1	1	1	1	1		(d)					
52	02610 0006	WASHER		1	1	1	1	1	1	1	1	1	1	1		(d)					
(a)	SD4300 ~15211	SD4300 15212~ SD4340 16374~ SD5000T 15212~ SD5040T 16387~	SD4500 ~10038 SD4540 ~10038 SD5000T ~50344 SD5040T ~50344	10039~	(c)	SD4500	(d)	SD4540	(e)	SD5000T	(f)	SD5040T	~10066	SD4500・4540	10067~	SD5000T・5040T	~50583	SD4500・4540	10067~	SD5000T・5040T	50584~
SD4340 ~16373	10039~			SD4500		SD4540		SD5000T		SD5040T		~10066	SD4500・4540	10067~							
SD5000T ~15211	50345~			SD4500		SD4540		SD5000T		SD5040T		~50583	SD4500・4540	10067~							
SD5040T ~16386	50345~			SD4500		SD4540		SD5000T		SD5040T		~50583	SD4500・4540	10067~							



69. WEIGHT; OPTION



BINDER NO.
1 SP 3 0 0 2

(1 - 299)

SUPPLEMENT NO.



69. WEIGHT; OPTION

管理コード

REF.NO.	CODE NO.	PART NAME	Q'ty										REMARKS
			S	D	S	D	S	D	S	D	S	D	
1	37201 0190	WEIGHT ASS'Y; FRONT WHEEL	1		1		1		1		1		15kg x 4
2	37201 0180	WEIGHT ASS'Y; INNER	1		1		1		1		1		
3	37201 0170	WEIGHT ASS'Y; OUTER	1		1		1		1		1		
4	01010 9094	BOLT	16		16		16		16		16		
5	02610 0012	WASHER	24		24		24		24		24		
6	02710 0012	SPRING WASHER	24		24		24		24		24		
7	02010 0012	NUT	16		16		16		16		16		
8	37211 0210	WEIGHT; INNER	4		4		4		4		4		
9	37211 0140	WEIGHT; OUTER	2		2		2		2		2		
10	01010 1250	BOLT	8		8		8		8		8		
16	37201 0040	WEIGHT ASS'Y; FRONT	1		1		1		1		1		
17	37211 0121	WEIGHT; 30kg	1		1		1		1		1		
18	01010 1245	BOLT	1		1		1		1		1		
19	39921 0280	SPACER	1		1		1		1		1		
5	02610 0012	WASHER	1		1		1		1		1		
6	02710 0012	SPRING WASHER	1		1		1		1		1		
7	02010 0012	NUT	1		1		1		1		1		
22	37201 0220	WEIGHT ASS'Y; REAR WHEEL	1		1		1		1		1		
23	37211 0240	WEIGHT; 30kg	10		10		10		10		10		
24	01210 9200	STUD BOLT	12		12		12		12		12		
25	02610 0016	WASHER	36		36		36		36		36		
14	02710 0016	SPRING WASHER	24		24		24		24		24		
15	02010 0016	NUT	36		36		36		36		36		
26	37201 0210	WEIGHT ASS'Y; REAR WHEEL	1		1		1		1		1		
23	37211 0240	WEIGHT; 30kg	6		6		6		6		6		
27	01210 9086	STUD BOLT	12		12		12		12		12		
25	02610 0016	WASHER	36		36		36		36		36		
14	02710 0016	SPRING WASHER	24		24		24		24		24		
15	02010 0016	NUT	36		36		36		36		36		
15	02010 0016	NUT	36		36		36		36		36		
29	37201 0270	WEIGHT ASS'Y; FRONT	1		1		1		1		1		

1~3SET

30kg x 10

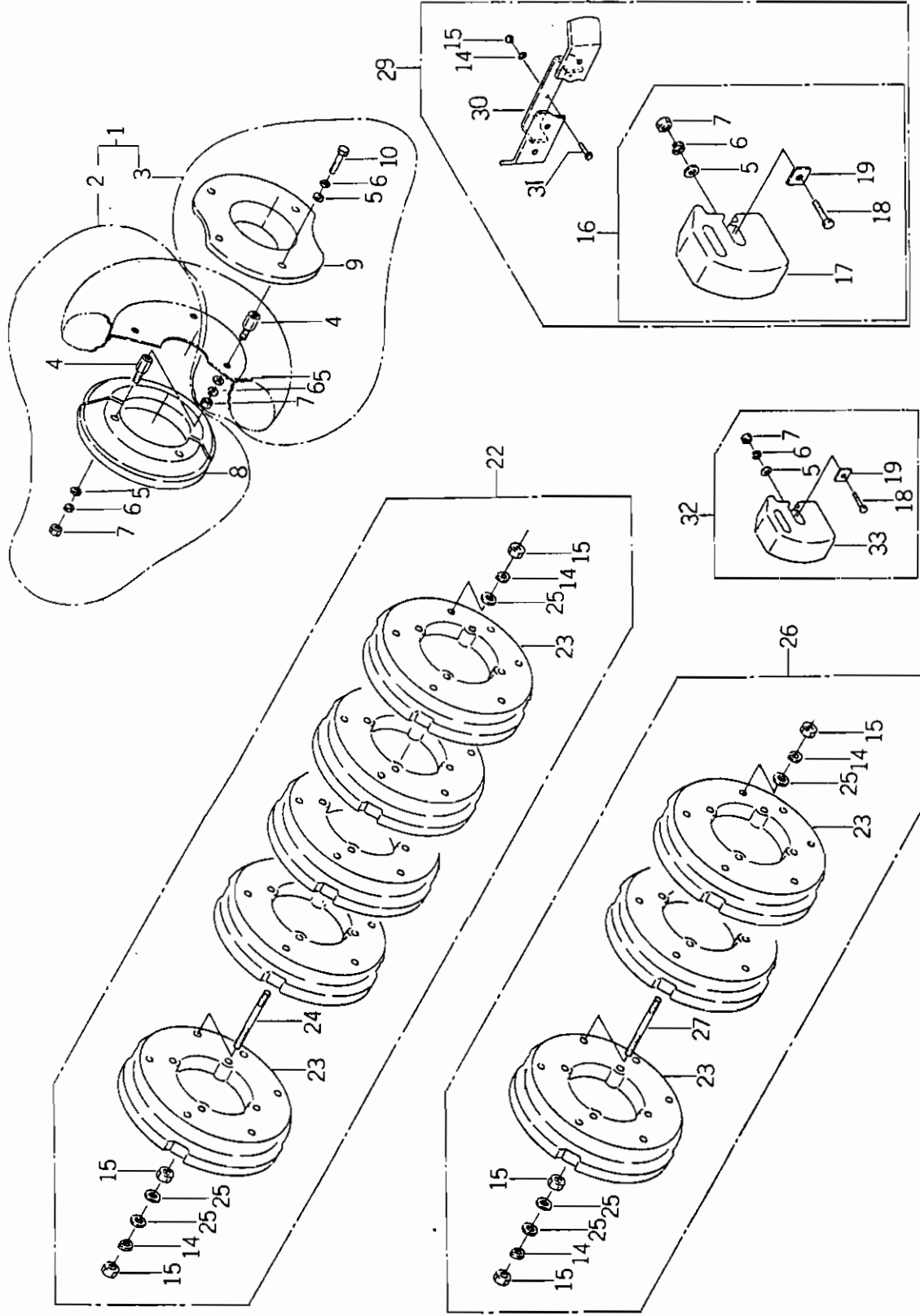
30kg x 6

BINDER NO.
ISP3002

SUPPLEMENT NO.



69. WEIGHT; OPTION



BINDER NO.	ISP3002
------------	---------

SUPPLEMENT NO.	
----------------	--

69. WEIGHT; OPTION



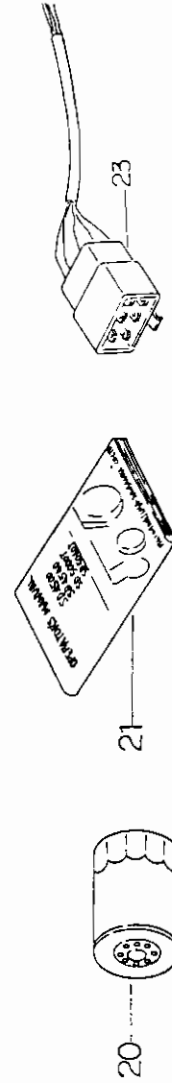
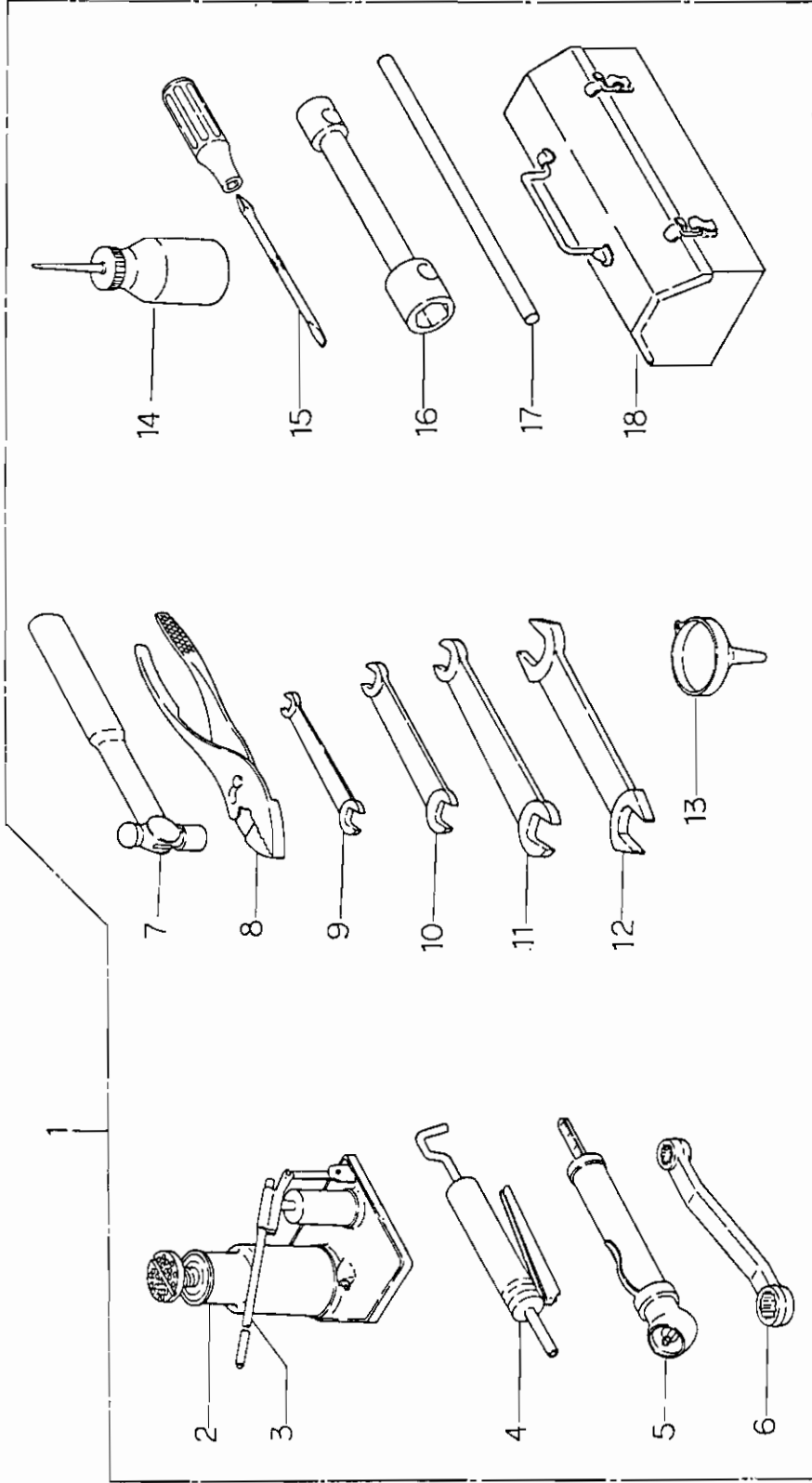
管理コード

REF.NO.	CODE NO.	PART	NAME	Qty										Min.Qty	REMARKS		
				S	D	S	D	S	D	S	D	S	D			S	D
30	37220 0020	WEIGHT FRAME		1	1	1	1	1	1	1	1	1	1	1	1		
31	01011 1645	BOLT		3	3	3	3	3	3	3	3	3	3	3	3		30kg x 5
16	37201 0040	WEIGHT ASS'Y; FRONT		5	5	5	5	5	5	5	5	5	5	5	5		
14	02710 0016	SPRING WASHER		3	3	3	3	3	3	3	3	3	3	3	3		
15	02010 0016	NUT		3	3	3	3	3	3	3	3	3	3	3	3		
32	37201 0520	WEIGHT ASS'Y; FRONT		1	1	1	1	1	1	1	1	1	1	1	1		
33	37211 0460	WEIGHT, 15kg		1	1	1	1	1	1	1	1	1	1	1	1		
5	02610 0012	WASHER		1	1	1	1	1	1	1	1	1	1	1	1		
8	02710 0012	SPRING WASHER		1	1	1	1	1	1	1	1	1	1	1	1		15kg 1~3SET
7	02010 0012	NUT		1	1	1	1	1	1	1	1	1	1	1	1		
18	01010 1245	BOLT		1	1	1	1	1	1	1	1	1	1	1	1		
19	39921 0280	SPACER		1	1	1	1	1	1	1	1	1	1	1	1		

BINDER NO.	SUPPLEMENT NO.
ISP3002	



70. TOOLS, ACCESSORIES



BINDER NO.
JSP3002

(1 - 303)

SUPPLEMENT NO.



70. TOOLS, ACCESSORIES

管理コード

REF.NO.	CODE NO.	PART	NAME	Qty												Min.Qty	REMARKS
				S	D	S	D	S	D	S	D	S	D	S	D		
1	39506 0100	TOOL KIT		1	1	1	1	1	1	1	1	1	1	1	1		
2	39511 0020	JACK		1	1	1	1	1	1	1	1	1	1	1	1		
3	39512 0020	HANDLE; JACK		1	1	1	1	1	1	1	1	1	1	1	1		
4	39516 0010	GREASE GUN		1	1	1	1	1	1	1	1	1	1	1	1		
5	39536 0010	TIRE GAUGE		1	1	1	1	1	1	1	1	1	1	1	1		
6	09110 1719	WRENCH; 17x19		1	1	1	1	1	1	1	1	1	1	1	1		
7	09330 0001	HAMMER		1	1	1	1	1	1	1	1	1	1	1	1		
8	09310 0150	PLIRE		1	1	1	1	1	1	1	1	1	1	1	1		
9	09010 1013	SPANNER; 10x13		1	1	1	1	1	1	1	1	1	1	1	1		
10	09010 1317	SPANNER; 13x17		1	1	1	1	1	1	1	1	1	1	1	1		
11	09010 1924	SPANNER; 19x24		1	1	1	1	1	1	1	1	1	1	1	1		
12	09010 9005	SPANNER; 30x32		1	1	1	1	1	1	1	1	1	1	1	1		
13	39523 0010	FUNNEL		1	1	1	1	1	1	1	1	1	1	1	1		
14	39522 0010	OIL FEEDER		1	1	1	1	1	1	1	1	1	1	1	1		
15	09240 9000	DRIVER ASS'Y		1	1	1	1	1	1	1	1	1	1	1	1		
16	39547 0040	BOX SPANNER; 24x30		1	1	1	1	1	1	1	1	1	1	1	1		
17	39548 0010	BAR		1	1	1	1	1	1	1	1	1	1	1	1		
18	19565 8010	TOOL BOX		1	1	1	1	1	1	1	1	1	1	1	1		
20	14051 6090	OIL FILTER		1	1	1	1	1	1	1	1	1	1	1	1		
20	14051 6140	OIL FILTER		1	1	1	1	1	1	1	1	1	1	1	1		
21	30081 0520	INSTRUCTION BOOK		1	1	1	1	1	1	1	1	1	1	1	1	(a)	
21	30081 0750	INSTRUCTION BOOK		1	1	1	1	1	1	1	1	1	1	1	1	(b)	
23	38560 1650	WIRE HARNESS		1	1	1	1	1	1	1	1	1	1	1	1	(a)	
	(a) { SD5000T ~50000																
	(b) { SD5040T ~50000																
	(a) { SD5000T ~50000																
	(b) { SD5040T ~50000																

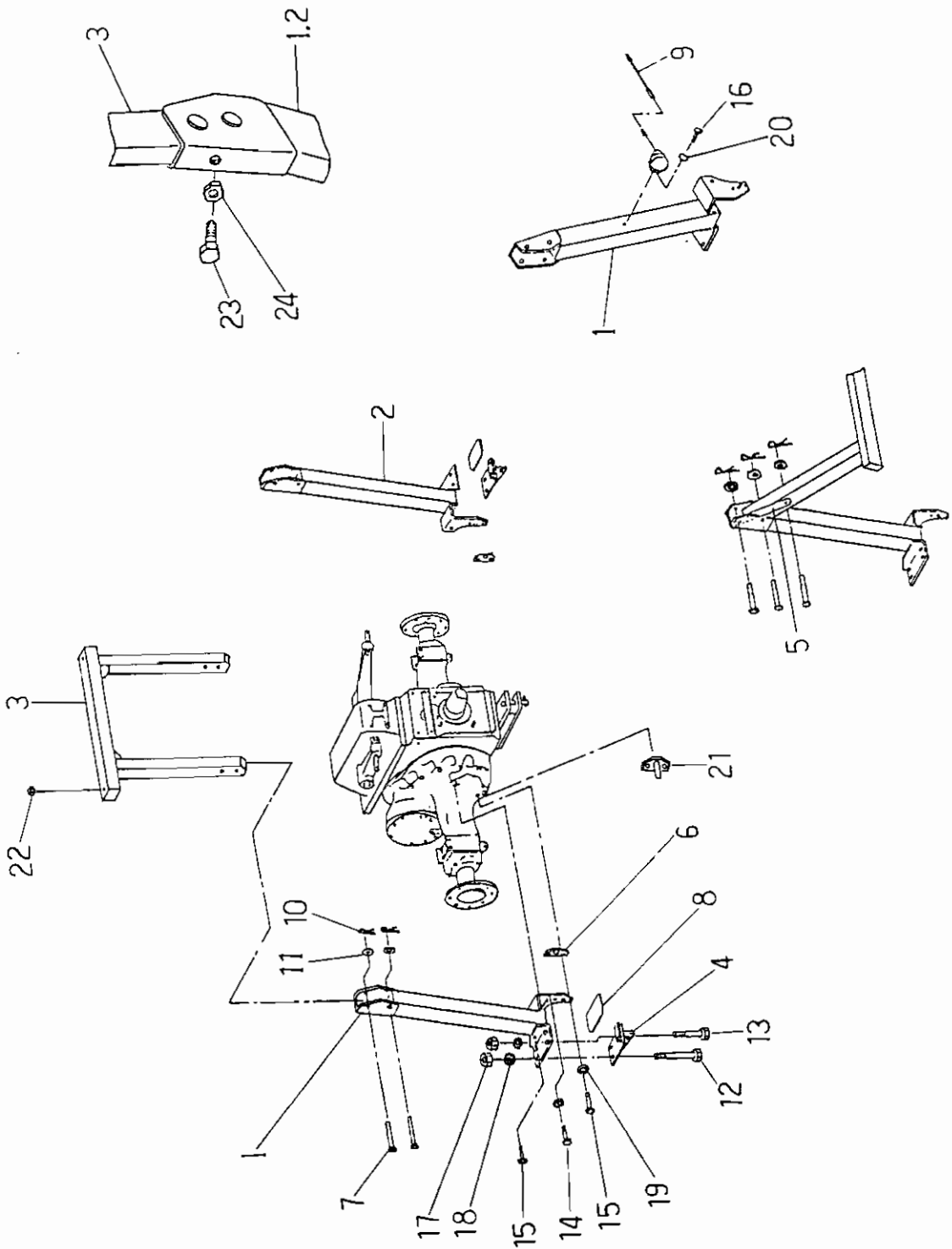
BINDER NO.
I SP 3 0 0 2

SUPPLEMENT NO.



71. SAFETY FRAME; OPTION

SD5000T ~50000
SD5040T ~50000



BINDER NO	2
ISP:	

(1 — 305)

SUPPLEMENT NO.	No. 4 — FEBRUARY, 1985
----------------	------------------------



71. SAFETY FRAME; OPTION

SD5000T ~50000
SD5040T ~50000

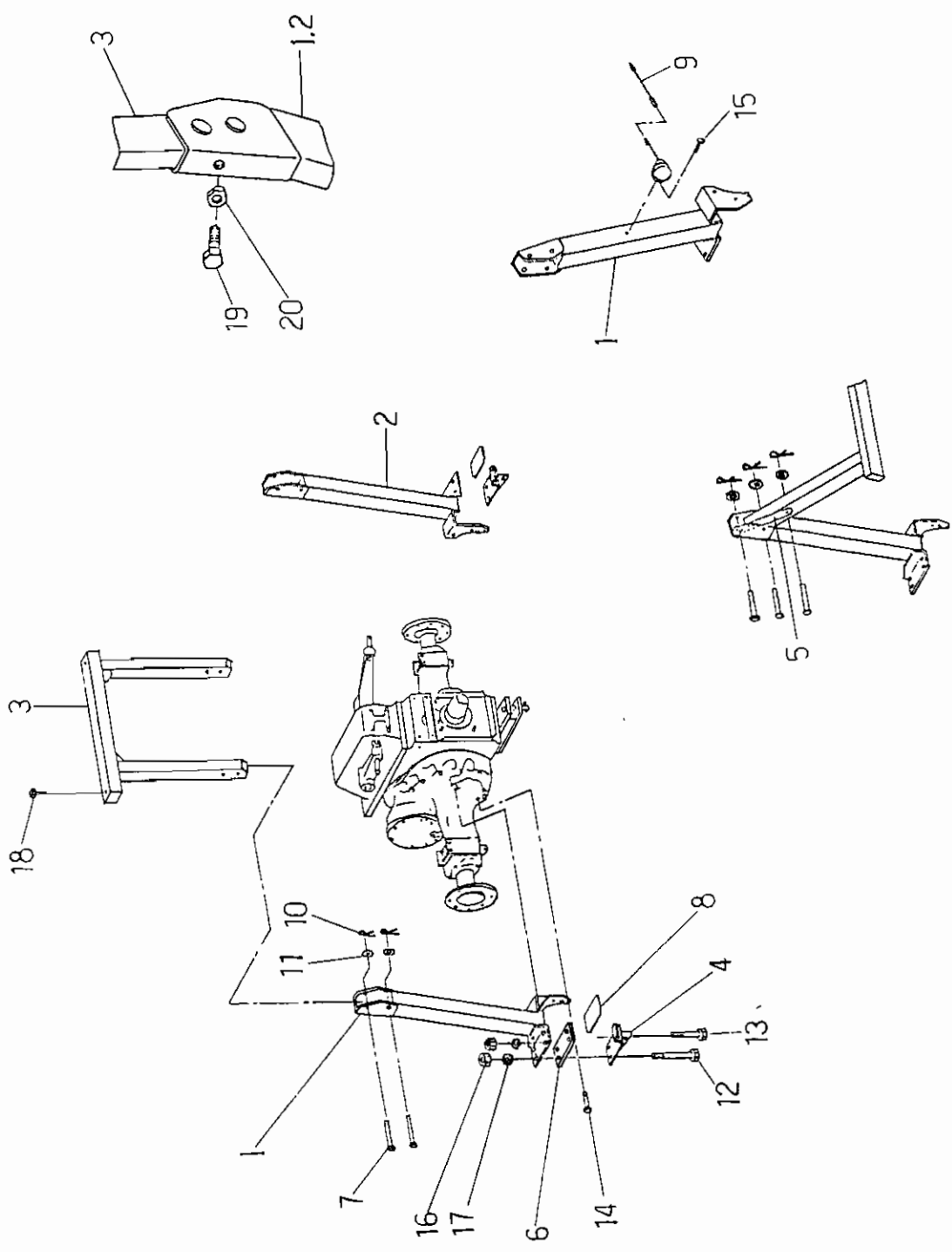
管理コード

REF.NO.	CODE NO.	PART	NAME	Qty												REMARKS	
				S D 4300	S D 4340	S D 4500	S D 4540	S D 5000T	S D 5040T	S D 5000T	S D 5040T	Min.	Qty				
1	37830 0662	FRAME; L.H		1	1												
2	37830 0672	FRAME; R.H		1	1												
3	37830 0680	FRAME		1	1												
4	37060 0310	BRACKET		2	2												
5	37833 0570	PLATE		2	2												
6	37841 0650	PLATE		2	2												
7	39961 0730	PIN		6	6												
8	39928 0970	SHIM; 1.6		A/R	A/R												
8	39928 0980	SHIM; 2.3		A/R	A/R												
9	38560 0430	WIRE HARNESS		1	1												
10	59973 0020	SET PIN		6	6												
11	02610 0020	WASHER		6	6												
12	01010 9205	BOLT		4	4												M16×180
13	01011 1600	BOLT		4	4												
14	01011 1235	BOLT		2	2												
15	01011 1245	BOLT		6	6												
16	01010 0816	BOLT		1	1												
17	02011 0016	NUT		8	8												
18	02710 0016	SPRING WASHER		8	8												
19	02710 0012	SPRING WASHER		6	6												
20	02710 0008	SPRING WASHER		1	1												
21	37090 0291	PIN		2	2												
22	01010 1016	BOLT		2	2												
23	01011 1650	BOLT		2	2												
24	02030 0016	NUT		2	2												



71A. SAFETY FRAME; OPTION

SD5000T 50001~
SD5040T 50001~





71A. SAFETY FRAME; OPTION

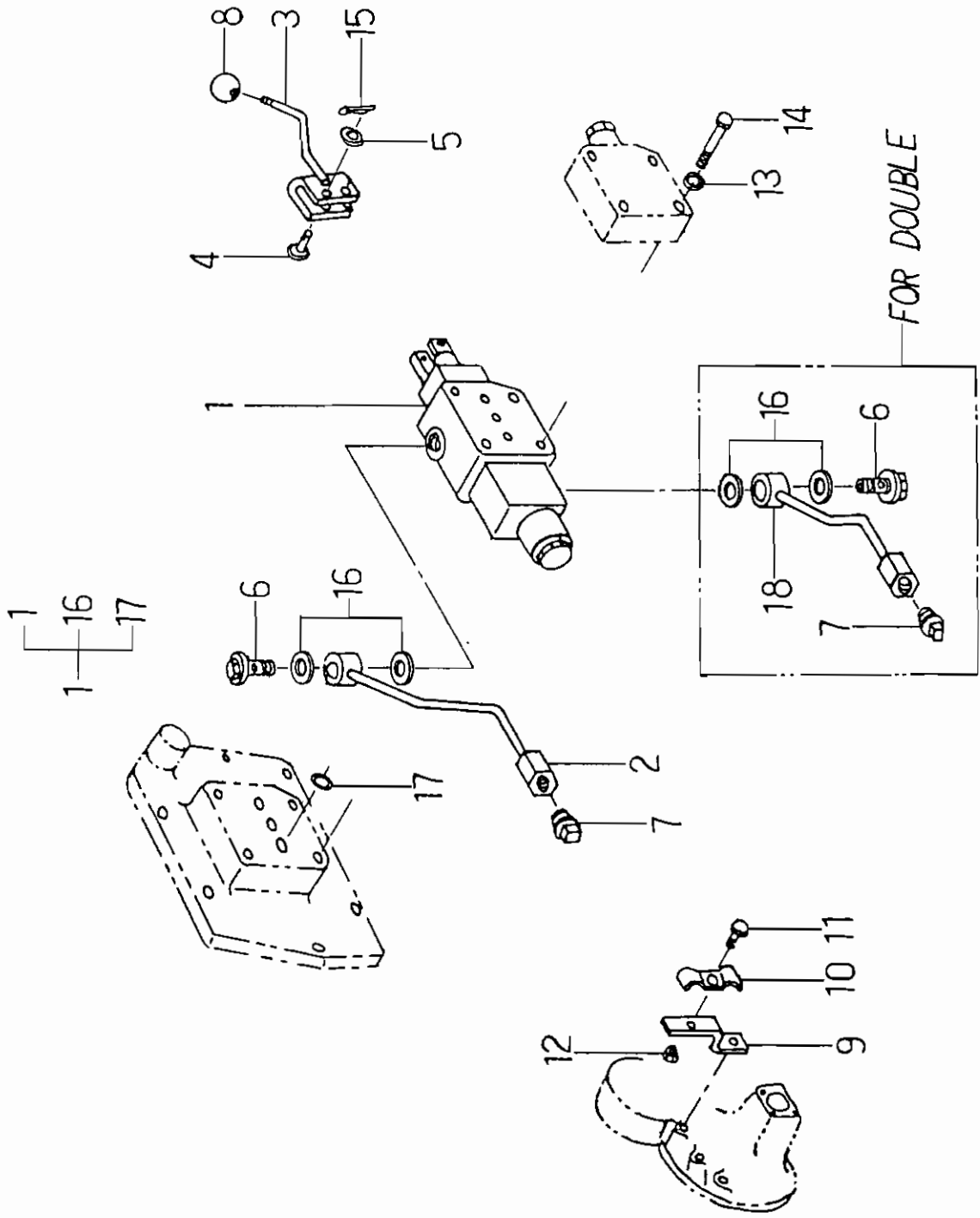
SD5000T 50001 ~
SD5040T 50001 ~

管理コード

REF.NO.	CODE NO.	PART	NAME	Q'ty												REMARKS	
				S D 4300	S D 4340	S D 4500	S D 4540	S D 5000T	S D 5040T	S D	S D	S D	S D	Min.Qty			
1	37830 1260	FRAME; L.H				1	1	1	1	1	1						
2	37830 1270	FRAME; R.H				1	1	1	1	1	1						
3	37830 0680	FRAME				1	1	1	1	1	1						
4	37060 0310	BRACKET				2	2	2	2	2	2						
5	37833 0570	PLATE				2	2	2	2	2	2						
6	37841 0890	PLATE				2	2	2	2	2	2						
7	39861 0730	PIN				6	6	6	6	6	6						
8	39928 0870	SHIM; 1.6				A/R	A/R	A/R	A/R	A/R	A/R						
8	39928 0980	SHIM; 2.3				A/R	A/R	A/R	A/R	A/R	A/R						
9	38560 0430	WIRE HARNESS				1	1	1	1	1	1						
10	59973 0020	SET PIN				6	6	6	6	6	6						
11	02610 0020	WASHER				6	6	6	6	6	6						
12	01010 9280	BOLT				4	4	4	4	4	4						
13	01010 9097	BOLT				4	4	4	4	4	4						
14	01131 1235	BOLT				6	6	6	6	6	6						M16 x190 M16 x110
15	01130 0816	BOLT				1	1	1	1	1	1						
16	02011 0016	NUT				8	8	8	8	8	8						
17	02710 0016	SPRING WASHER				8	8	8	8	8	8						
18	01010 1016	BOLT				2	2	2	2	2	2						
19	01011 1650	BOLT				2	2	2	2	2	2						
20	02030 0016	NUT				2	2	2	2	2	2						



72. AUXILIARY VALVE; 1-PIECE



BINDER NO.
1 S F 1 0 2

(1 - 309)

SUPPLEMENT NO.



72. AUXILIARY VALVE; 1-PIECE

管理コード

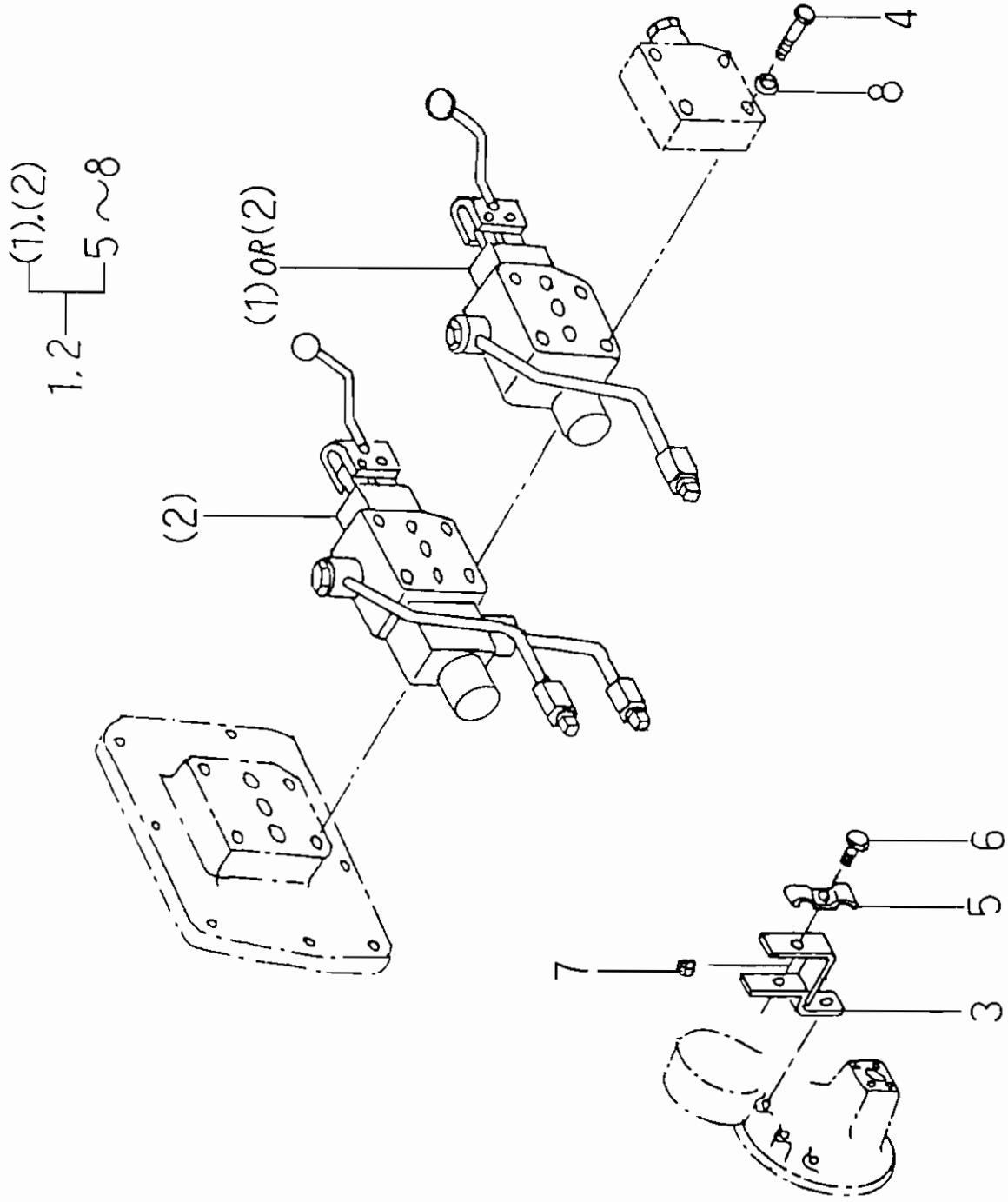
REF.NO.	CODE NO.	PART	NAME	Q'ty												Min.Qty	REMARKS				
				S	D	S	D	S	D	4500	S	D	S	D	5000T			S	D	5040T	
1	34001 1180	VALVE ASS'Y; SINGLE		1	1	1	1	1	1	1	1	1	1	1	1	1	1	1			FOR SINGLE.REF.No16,17 INCLUDED FOR DOUBLE. REF.No16,17 INCLUDED
1	34001 1190	VALVE ASS'Y; DOUBLE		1	1	1	1	1	1	1	1	1	1	1	1	1	1	1			
2	34060 3120	OIL PIPE		1	1	1	1	1	1	1	1	1	1	1	1	1	1	1			
3	34010 1000	LEVER		1	1	1	1	1	1	1	1	1	1	1	1	1	1	1			
4	03131 0625	PIN		2	2	2	2	2	2	2	2	2	2	2	2	2	2	2			
5	02610 0006	WASHER		2	2	2	2	2	2	2	2	2	2	2	2	2	2	2			
6	39848 0171	BOLT		1	1	1	1	1	1	1	1	1	1	1	1	1	1	1			USE SINGLE
6	39848 0171	BOLT		2	2	2	2	2	2	2	2	2	2	2	2	2	2	2			USE DOUBLE
7	06450 0030	PLUG		1	1	1	1	1	1	1	1	1	1	1	1	1	1	1			USE SINGLE
7	06450 0030	PLUG		2	2	2	2	2	2	2	2	2	2	2	2	2	2	2			USE DOUBLE
8	39818 0171	GLIP		1	1	1	1	1	1	1	1	1	1	1	1	1	1	1			
9	39911 1060	CLAMP		1	1	1	1	1	1	1	1	1	1	1	1	1	1	1			
10	39911 0770	CLAMP		1	1	1	1	1	1	1	1	1	1	1	1	1	1	1			
11	01010 0830	BOLT		1	1	1	1	1	1	1	1	1	1	1	1	1	1	1			
12	02240 0008	U-NUT		1	1	1	1	1	1	1	1	1	1	1	1	1	1	1			
13	02710 0008	SPRING WASHER		4	4	4	4	4	4	4	4	4	4	4	4	4	4	4			
14	01011 0880	BOLT		4	4	4	4	4	4	4	4	4	4	4	4	4	4	4			USE SINGLE
14	01011 0890	BOLT		4	4	4	4	4	4	4	4	4	4	4	4	4	4	4			USE DOUBLE
15	03010 2015	SPRIT PIN		2	2	2	2	2	2	2	2	2	2	2	2	2	2	2			USE SINGLE
16	34029 3078	GASKET		2	2	2	2	2	2	2	2	2	2	2	2	2	2	2			USE DOUBLE
16	34029 3078	GASKET		4	4	4	4	4	4	4	4	4	4	4	4	4	4	4			FOR DOUBLE
17	05211 0120	O-RING		3	3	3	3	3	3	3	3	3	3	3	3	3	3	3			FOR DOUBLE
18	34060 3110	OIL PIPE		1	1	1	1	1	1	1	1	1	1	1	1	1	1	1			FOR SINGLE
1~17:	34001 1200	VALVE ASS'Y; SINGLE		1	1	1	1	1	1	1	1	1	1	1	1	1	1	1			FOR DOUBLE
1~18:	34001 1210	VALVE ASS'Y; DOUBLE		1	1	1	1	1	1	1	1	1	1	1	1	1	1	1			FOR DOUBLE

BINDER NO.
ISP3002

SUPPLEMENT NO.



73. AUXILIARY VALVE; 2—PIECES





73. AUXILIARY VALVE; 2—PIECES

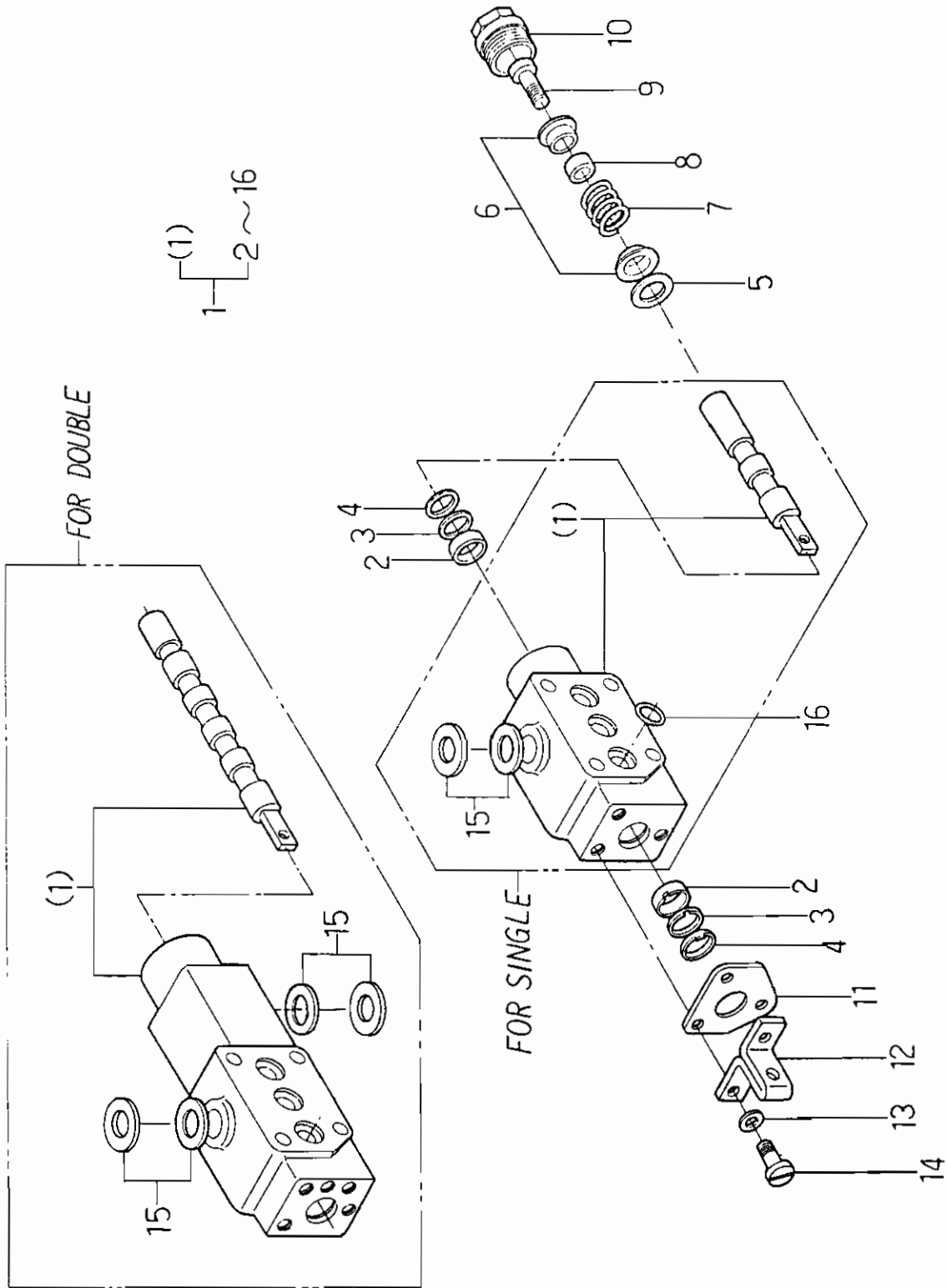
管理コード

REF.NO.	CODE NO.	PART	NAME	Qty												Min. Qty	REMARKS
				S	D	S	D	S	D	S	D	S	D	S	D		
1	34001 1200	VALVE ASS'Y; SINGLE		4300	4340	4500	4540	5000	5040	1	1	1	1	1	1		REF No.5 ~6 INCLUDED
2	34001 1210	VALVE ASS'Y; DOUBLE		1~2	1~2	1~2	1~2	1~2	1~2	1	1	1	1	1	1		REF No.5 ~6 INCLUDED
3	39910 0360	CLAMP		1	1	1	1	1	1	1	1	1	1	1	1		FOR REF No.1 + 2 M8 X125
4	01010 9130	BOLT		4	4	4	4	4	4	4	4	4	4	4	4		FOR REF No.2 + 2 M8 X140
4	01010 9193	BOLT		4	4	4	4	4	4	4	4	4	4	4	4		
5	39911 0770	CLAMP		2	2	2	2	2	2	2	2	2	2	2	2		
6	01010 0830	BOLT		2	2	2	2	2	2	2	2	2	2	2	2		
7	02240 0008	U—NUT		2	2	2	2	2	2	2	2	2	2	2	2		
6	02710 0008	SPRING WASHER		4	4	4	4	4	4	4	4	4	4	4	4		

BINDER NO.	SUPPLEMENT NO.
ISP3002	



74. VALVE ASS'Y; SINGLE AND DOUBLE



BINDER NO.	2
1 SP.	

SUPPLEMENT NO.	



74. VALVE ASSY; SINGLE AND DOUBLE

管理コード

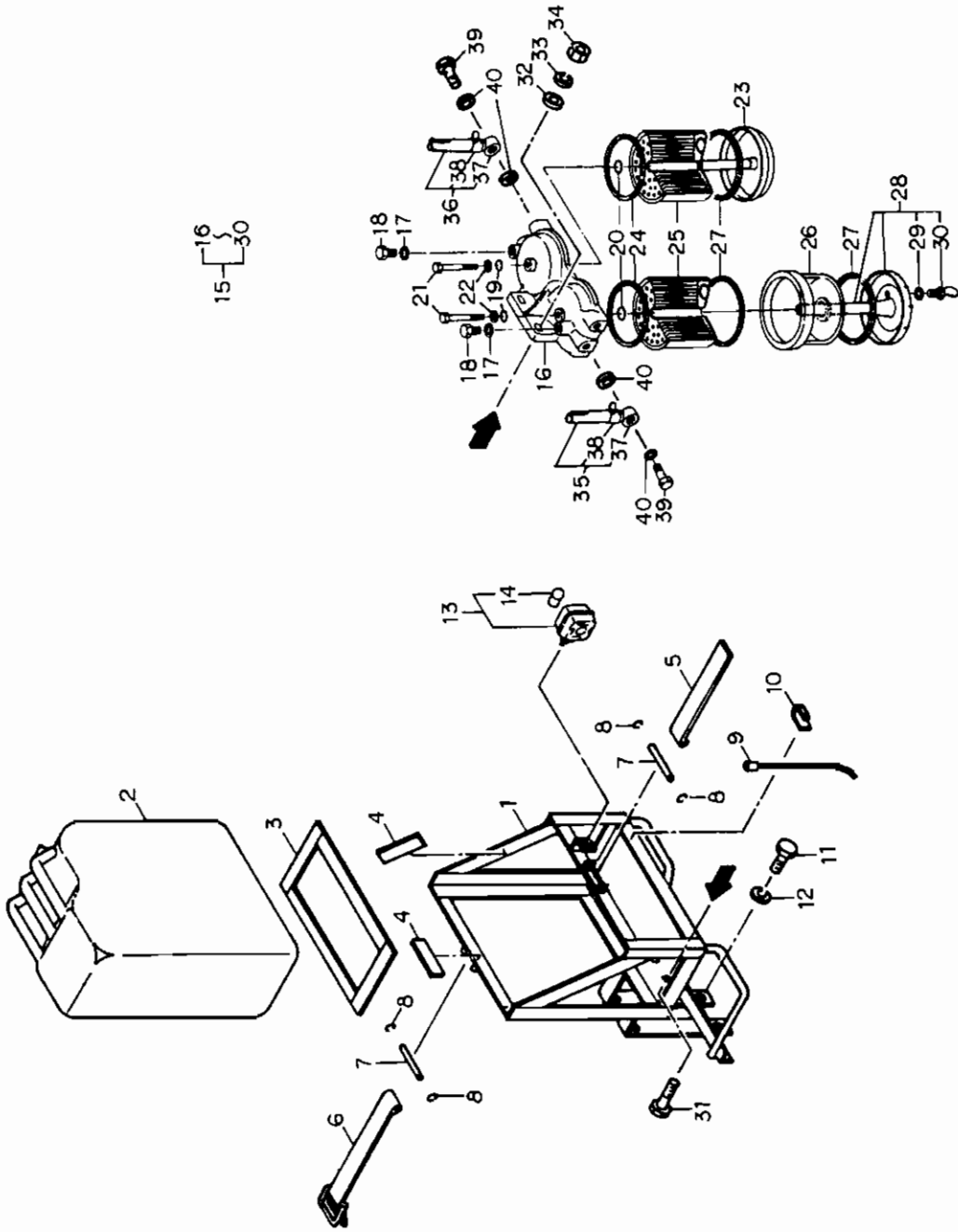
REF.NO	CODE NO.	PART	NAME	Qty										Min.Qty	REMARKS		
				S	D	S	D	S	D	S	D	S	D			S	D
1	34001 1180	VALVE ASS'Y; SINGLE		1	1	1	1	1	1	1	1	1	1	1	1		FOR SINGLE REF No.2 ~16 INCLUDED
1	34001 1190	VALVE ASS'Y; DOUBLE		1	1	1	1	1	1	1	1	1	1	1	1		FOR DOUBLE REF No.2 ~16 INCLUDED
2	34029 3066	SEAL RING		2	2	2	2	2	2	2	2	2	2	2	2		
3	34029 3067	BACK UP RING		2	2	2	2	2	2	2	2	2	2	2	2		
4	34029 3068	WASHER		2	2	2	2	2	2	2	2	2	2	2	2		
5	34029 3069	RING		1	1	1	1	1	1	1	1	1	1	1	1		
6	34029 3070	SPRING SEAT		2	2	2	2	2	2	2	2	2	2	2	2		
7	34029 3071	SPRING		1	1	1	1	1	1	1	1	1	1	1	1		
8	34029 3072	COLLAR		1	1	1	1	1	1	1	1	1	1	1	1		
9	34029 3073	SCREW		1	1	1	1	1	1	1	1	1	1	1	1		
10	34029 3074	PLUG		1	1	1	1	1	1	1	1	1	1	1	1		
11	34029 3075	PLATE		1	1	1	1	1	1	1	1	1	1	1	1		
12	34029 3076	BRACKET		1	1	1	1	1	1	1	1	1	1	1	1		
13	02710 0006	SPRING WASHER		3	3	3	3	3	3	3	3	3	3	3	3		
14	34029 3077	SCREW		3	3	3	3	3	3	3	3	3	3	3	3		
15	34029 3078	GASKET		2	2	2	2	2	2	2	2	2	2	2	2		USE SINGLE
15	34029 3078	GASKET		4	4	4	4	4	4	4	4	4	4	4	4		USE DOUBLE
16	05211 0120	O-RING		3	3	3	3	3	3	3	3	3	3	3	3		

BINDER NO.
ISP3002

SUPPLEMENT NO.



75. FOR UGANDA



BINDER NO.
ISP3002

(1 - 315)

SUPPLEMENT NO. No. 7 - AUGUST, 1986

75. FOR UGANDA

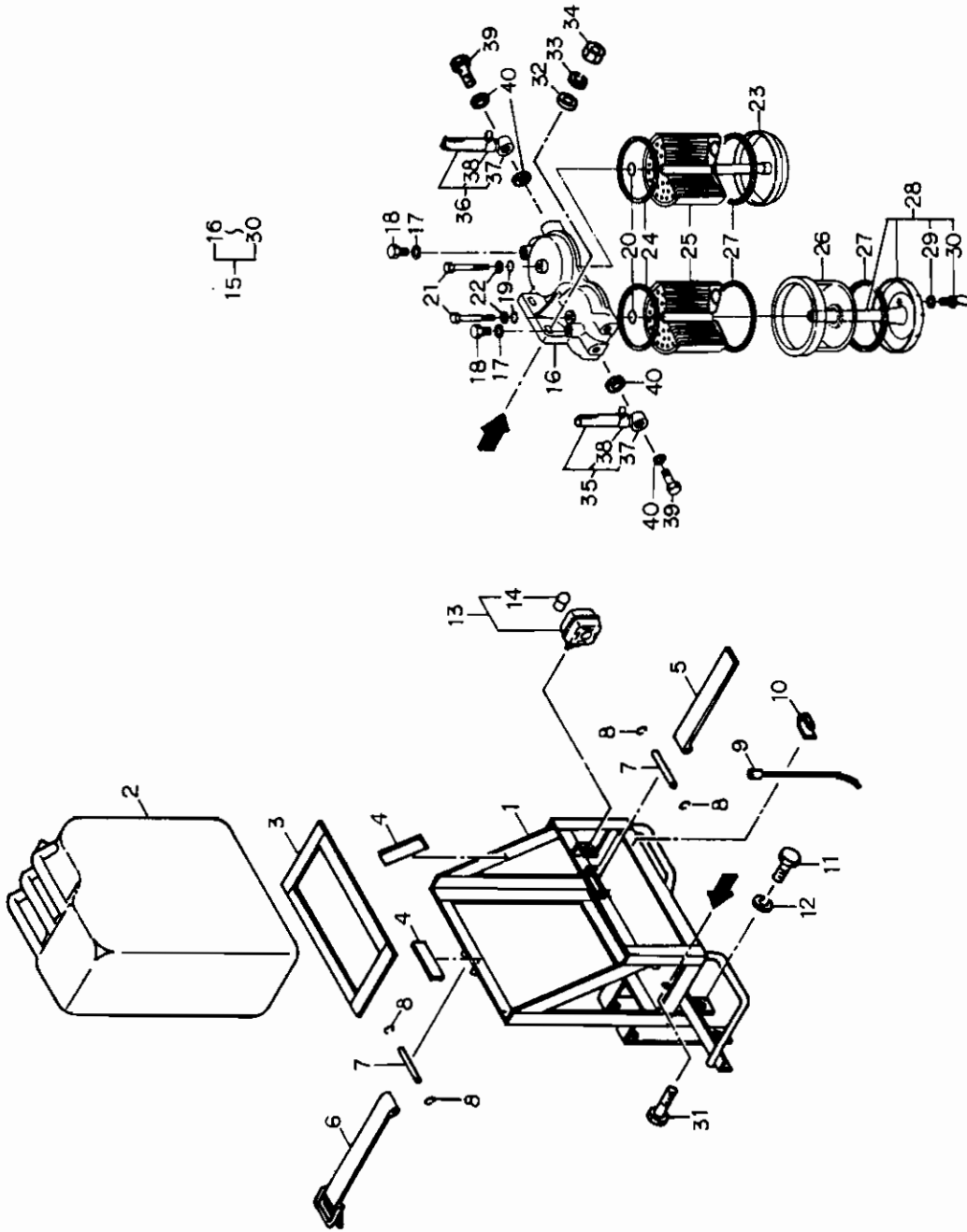
管理コード

REFNO.	CODE NO.	PART	NAME	Q'ty										Min.Qty	REMARKS	
				S D 4300	S D 4340	S D 4500	S D 4540	S D 5000T	S D 5040T	S D	S D	S D	S D			
1	36050 0750	HOLDER											1	1		
2	36010 0620	TANK											1	1		
3	39811 4380	RUBBER											1	1		
4	39811 0290	RUBBER											4	4		
5	36021 0220	BAND											1	1		
6	36021 0230	BAND											1	1		
7	39961 1250	PIN											2	2		
8	03680 0004	SNAP RING											4	4		
9	38560 1210	WIRE HARNESS											1	1		
10	39911 0660	CLAMP											2	2		
11	01011 1635	BOLT											4	4		
12	02710 0016	SPRING WASHER											4	4		
13	38510 0571	LAMP ASS'Y											1	1		
14	38512 0240	BULB											1	1		
15	13030 6150	FUEL FILTER ASSY											1	1		
16	13031 6020	HEAD											1	1		
17	13032 6110	WASHER											2	2		
18	13039 6080	SCREW											2	2		
19	13022 6010	O-RING											2	2		
20	13022 6020	O-RING											2	2		
21	13039 6060	BOLT											2	2		
22	13032 6090	SEAL WASHER											2	2		
23	13038 6020	BASE											1	1		
24	13032 6050	GASKET											2	2		
25	13036 6070	ELEMENT											2	2		
26	13031 6030	BODY											1	1		
27	13032 6060	GASKET											3	3		
28	13038 6030	BASE											1	1		
29	13032 6100	WASHER											1	1		
30	13039 6070	SCREW											1	1		

BINDER NO.
ISP3002



75. FOR UGANDA



BINDER NO.
ISP3002

(1 - 317)

SUPPLEMENT NO.
No 7 - AUGUST, 1986

75. FOR UGANDA

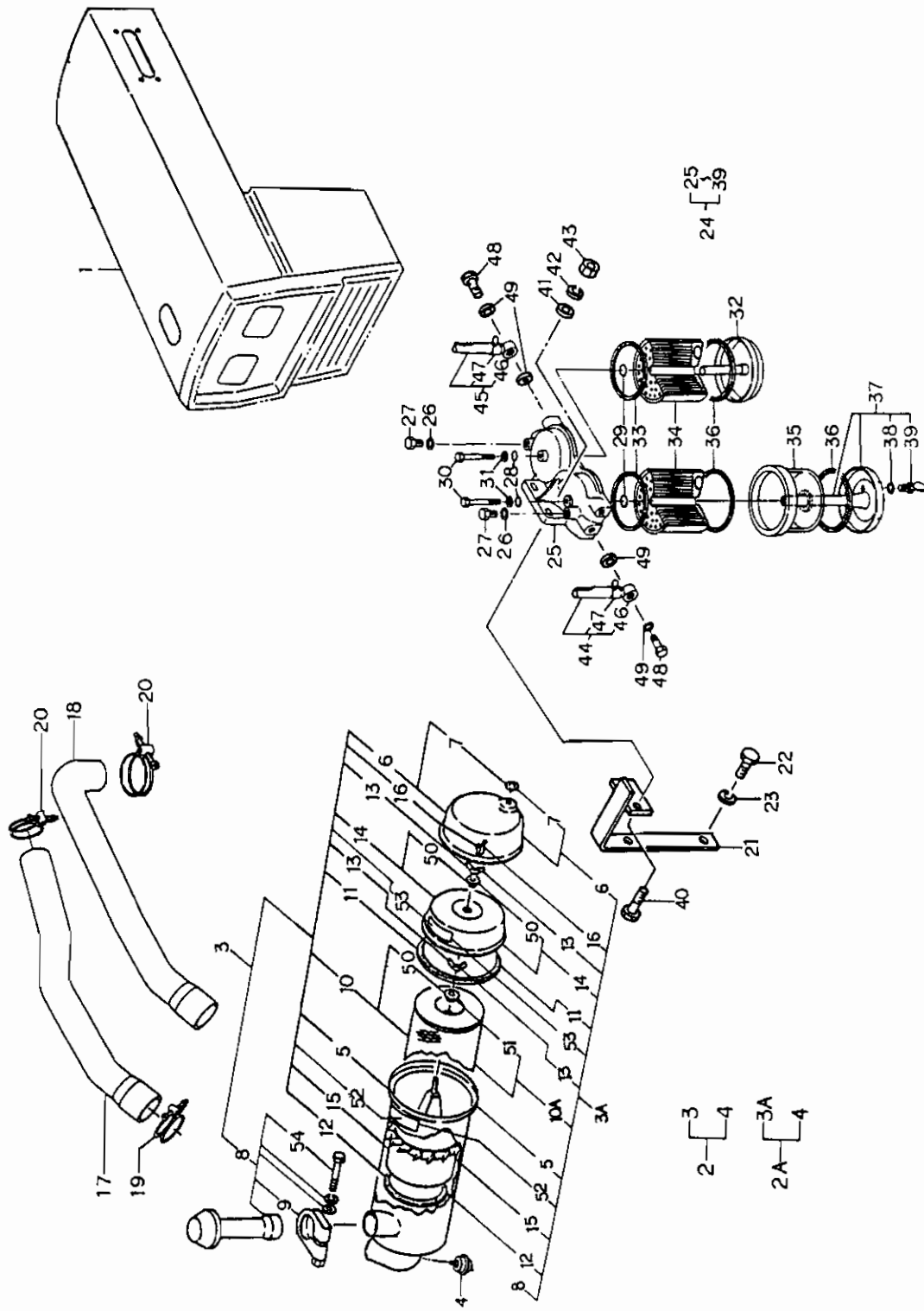


管理コード

REFNO.	CODE NO.	PART	NAME	Q'ty										Min.Q'ty	REMARKS			
				S	D	S	D	S	D	S	D	S	D			S	D	
31	01010 1040	BOLT													2	2		
32	02610 0010	WASHER													2	2		
33	02710 0010	SPRING WASHER													2	2		
34	02010 0010	NUT													2	2		
35	36075 0840	FUEL PIPE ASS'Y													1	1		
36	36075 0850	FUEL PIPE ASS'Y													1	1		
37	13124 6090	JOINT													4	4		
38	39875 0310	HOSE BAND													4	4		
39	19848 6250	EYE BOLT													2	2		
40	02510 0014	SEAL WASHER													4	4		



76. FOR CENTRAL AND SOUTH AMERICA



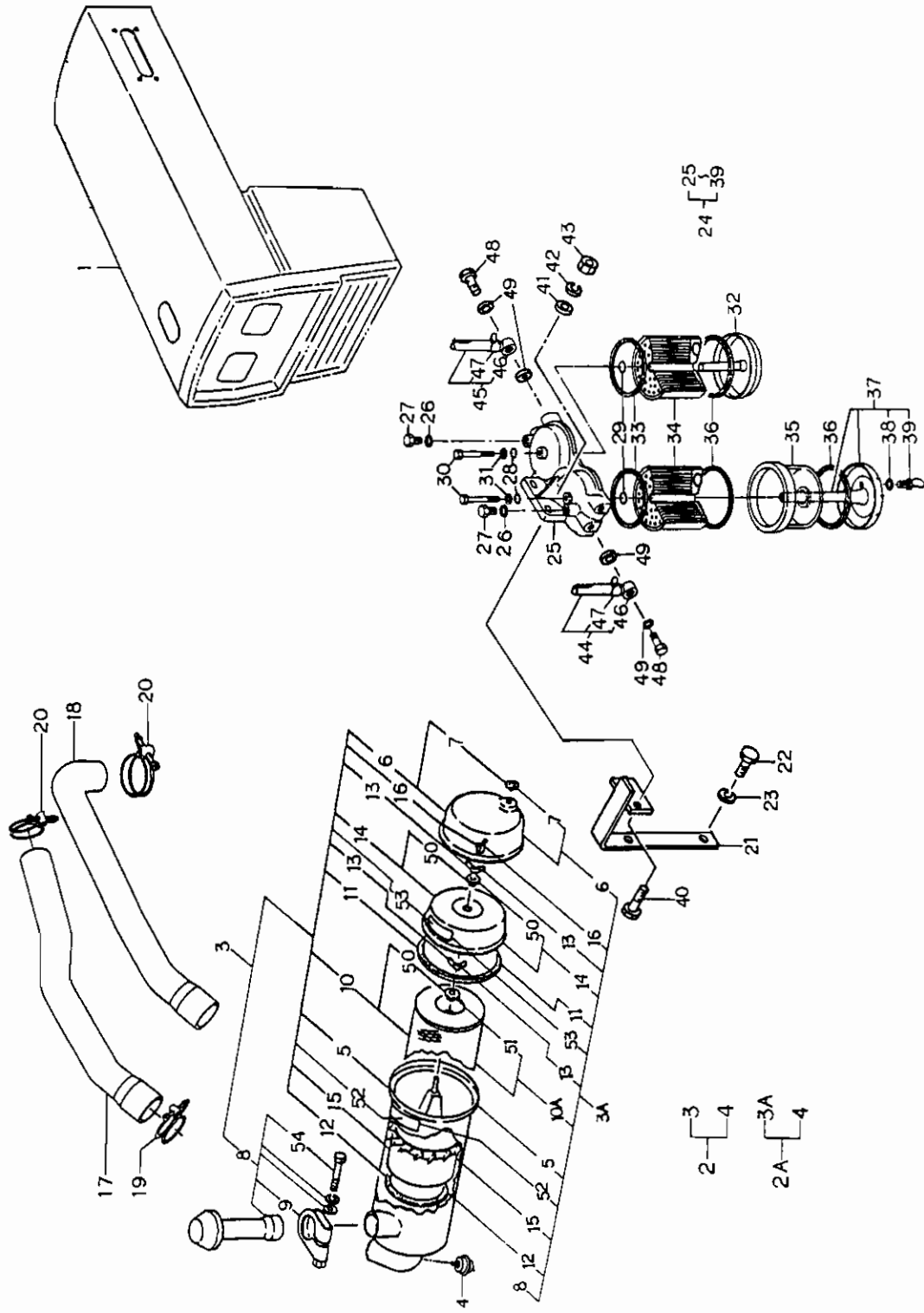
バインダー NO.	
BINDER NO.	
1SP3002	

(1 - 319)

改訂番号年月	
SUPPLEMENT NO.	No. 9 - AUGUST, 1987



76. FOR CENTRAL AND SOUTH AMERICA



(1 - 321)

改訂番号年月	No. 9 - AUGUST, 1987
SUPPLEMENT NO.	

バインダー NO.	ISP3002
BINDER NO.	



76. FOR CENTRAL AND SOUTH AMERICA

管理コード

REF.NO.	CODE NO.	PART	NAME	Qty												REMARKS	
				4300	SD	4340	SD	4500	SD	4540	SD	5000T	SD	5040T	Min.Qty		
28	13022 6010	O-RING				2		2		2		2		2			
29	13022 6020	O-RING				2		2		2		2		2			
30	13039 6060	BOLT				2		2		2		2		2			
31	13032 6090	SEAL WASHER				2		2		2		2		2			
32	13038 6020	BASE				1		1		1		1		1			
33	13032 6050	GASKET				2		2		2		2		2			
34	13036 6070	ELEMENT				2		2		2		2		2			
35	13031 6030	BODY				1		1		1		1		1			
36	13032 6060	GASKET				3		3		3		3		3			
37	13038 6030	BASE				1		1		1		1		1			
38	13032 6100	WASHER				1		1		1		1		1			
39	13039 6070	SCREW				1		1		1		1		1			
40	01010 1040	BOLT				2		2		2		2		2			
41	02610 0010	WASHER				2		2		2		2		2			
42	02710 0010	SPRING WASHER				2		2		2		2		2			
43	02010 0010	NUT				2		2		2		2		2			
44	36075 0840	FUEL PIPE ASS'Y				1		1		1		1		1			
45	36075 0850	FUEL PIPE ASS'Y				1		1		1		1		1			
46	13124 6090	JOINT				4		4		4		4		4			
47	39875 0310	HOSE BAND				4		4		4		4		4			
48	19848 6250	EYE BOLT				2		2		2		2		2			
49	02510 0014	SEAL WASHER				4		4		4		4		4			
50	31453 1041	SEAL WASHER				2/1		2/1		2/1		2/1		2/1			(a)/(b)
51	31453 1125	SEAL WASHER				1		1		1		1		1			(b)
52	31453 1031	CAUTION PLATE				1		1		1		1		1			
53	31453 1030	CAUTION PLATE				1		1		1		1		1			
54	01011 0865	BOLT				1		1		1		1		1			

(a) SD4500 • 4540 ~10132 (b) SD400 • 4540 10133 ~
SD5000T • 5040T ~50642 (b) SD5000T • 5040T 50643 ~

BINDER NO. SP 3902

(1 — 322)

SUPPLEMENT NO.

No. 9 — AUGUST, 197

77. CODE NO. INDEX



管理コード		管理コード	
CODE NO.	SECTION NO.	REF. NO.	SECTION NO.
010100810520	70	21	52A
010100610	51	36	30
010100610	51A	36	69
010100612	60	14	71A
010100616	12	15	13
010100625	12	23	13A
010100630	27A	37	73
010100635	39	14	51
010100640	14B	49	51A
010100640	51	34	53
010100640	51A	34	28
010100645	16	18	29
010100650	14B	48	31
010100816	46	35	38
010100816	61	32	30A
010100816	61A	32	67
010100816	62	16	19
010100816	71	16	30A
010100820	27	4	71A
010100820	27A	4	59
010100825	46	55	27
010100825	46A	55	27A
010100830	19A	25	51
010100830	72	11	51A
010100860	19	5	31
010100860	19A	5	31A
010101016	22	14	13
010101016	34	38	13A
010101016	34A	38	13B
010101016	71	22	32
010101016	71A	18	72
010101025	35	55	13
010101025	34	41	13A
010101035	34A	41	51
010101035	35	41	51A
010101040	60	45	51A
010101245	69	18	72
010101245	69	18	72A
010101245	69	18	72B
010101250	69	10	51
010101630	66	58	31
010101630	68	44	45
010109020	46A	44	24
010109087	52	29	26

管理コード		管理コード	
CODE NO.	SECTION NO.	REF. NO.	SECTION NO.
011140610	07	31	12
011140610	09	18	13A
011140612	03	15	20
011140612	04	24	39
011140612	53	37	40
011140614	14A	19	41
011140614	14B	1	35
011140616	05	53	42
011140616	11	4	43
011140616	14A	29	44
011140616	14B	31	52
011140620	14B	60	56
011150514	17	8	60
011150514	61	29	06
011150514	61A	29	07
011150612	28	40	10
011150612	29	40	44
011150612	53	29	51
011150612	56	26	51A
011150612	57	22	11
011150612	04	10	13
011150612	07	14	13A
011150612	13	14	27
011150612	13A	14	27A
011150612	49	51	49
011150616	03	13	22
011150616	04	16	30
011150616	05	16	42A
011150616	13	3	07
011150616	13A	3	06
011150616	14B	30	13A
011150616	21	27	54
011150616	22	35	03
011150616	27	10	04
011150616	27A	10	05
011150616	30	18	22
011150616	35	38	32
011150616	47	64	39
011150616	49	39	40
011150616	52	38	55
011150616	52A	38	59
011150616	53	30	60
011150616	56	24	55
011150616	59	6	11
011150616	60	13	51
011150616	61	5	51A
011150616	61A	5	43
011150616	71A	15	53
011150620	05	20	09

77. CODE NO. INDEX



CODE NO.		SECTION NO.	REF. NO.	CODE NO.	SECTION NO.	REF. NO.	CODE NO.	SECTION NO.	REF. NO.
036100018	32	45	040106307	40	18				
036100020	09	24	040106307	41	18				
036100024	09	9	040106307	42	18				
036100025	41	39	040106307	42A	18				
036100025	42A	39	040106307	43	4				
036100025	43	23	040106308	30	29				
036100035	36	30	040106308	30A	13				
036100035	36	10	040106308	46	16				
036100035	37	32	040106308	46A	16				
036100035	40	19	040106312	46A	9				
036100035	41	17	040106004	52A	56				
036100035	42	17	040106005	09	38				
036100035	42A	17	040106005	41	4				
036100035	43	5	040106205	08	4				
036100035	46	21	040136307	09	5				
036100035	46A	21	040146201	30A	18				
036100045	36	10	040156210	17	2				
036100045	36A	10	040156210	39	10				
036100045	37	40	040156210	40	10				
036100050	40	11	040156210	41	10				
036100050	42	11	040156210	42	10				
036100050	42A	11	040156210	42A	10				
036100050	47	20	040106007	46	19				
036100055	47	21	040106007	46A	19				
036500022	31	56	040156308	46A	19				
036500032	08	33	042200525	37	29				
036500032	25	41	042200620	36	4				
036500042	09	23	042200900	37	36				
036500047	43	8	042209008	36A	4				
036500052	09	6	042209009	36A	4				
036500052	25A	41	042220530	37	6				
036500062	05	8	042220530	40	13				
036500062	42	22	042220530	42A	13				
036500072	25	15	042301825	43	2				
036500072	31A	55	042302525	36	21				
036500072	31A	31	042302525	36A	21				
036500080	36	41	042303015	30	2				
036500080	37	8	042309007	05	5				
036500080	40	20	042309006	30A	14				
036500080	41	16	042330205	28	34				
036500080	42	16	042330205	29	34				
036500080	42A	16	042330207	28	33				
036500080	43	16	042330207	29	33				
036500080	44	16	042330207	31A	32				
036500080	45	16	042330209	39	7				
036500080	46	20	042330209	40	6				
036500080	47	16	042330209	41	6				
036500080	48	20	042330209	42	6				
036500080	49	16	042330206	42A	6				
036500080	42A	16	042332207	30	29				
036500080	43	2	040106307	31A	29				
036500080	43	2	040106307	31A	29				
036500080	43	2	040106307	31A	29				

CODE NO.		SECTION NO.	REF. NO.	CODE NO.	SECTION NO.	REF. NO.	CODE NO.	SECTION NO.	REF. NO.
042532209	40	7	052100110	42	25				
042532209	41	7	052100110	42A	25				
042532209	42	7	052100110	48	2				
042532209	42A	7	052100110	49	9				
042532306	31	20	052100120	48	16				
048100004	37	18	052100160	46	28				
048100011	34	35	052100160	46A	28				
048100011	34A	35	052100160	55	6				
048100011	35	35	052100180	11	10				
048100011	40	32	052100180	25	24				
048100011	41	31	052100180	38	8				
048100011	42	31	052100180	44	5				
048100011	42A	31	052100200	27	18				
048100011	43	46	052100200	27A	18				
048100011	48	10	052100210	46	26				
050102230	30	3	052100210	46A	26				
050202230	31A	35	052100210	49	12				
050202235	43	14	052100210	51	14				
050202360	32	16	052100210	51A	14				
050202360	46	15	052100400	05	25				
050202360	46A	15	052100963	06	49				
050203125	31	52	052110120	72	17				
050203125	36	3	052110120	74	16				
050203125	36A	3	052110140	48	22				
050203125	37	5	052110160	49	7				
050203130	41	42	052110200	51	33				
050203130	42A	42	052300250	44	60				
050309010	28	24	052300250	51	22				
050309010	29	24	052300250	51A	22				
050600032	30	27	052300400	42	43				
050600055	30A	15	052300400	42A	43				
050600060	30A	28	052300450	26	15				
050600065	46	4	052300450	29	14				
050600065	46A	4	052300450	31	6				
050600070	31	10	052300450	31A	36				
050600070	31A	9	052300450	41	48				
050600090	31	9	052300450	42A	48				
050600090	31A	10	052300500	28	23				
050609003	28	31	052300500	29	23				
050609003	29	31	052300500	47	22				
052100070	44	56	052300550	47	18				
052100080	25	44	052300600	25	9				
052100080	25A	44	052300600	25A	9				
052100090	48	13	052300650	25	14				
052100090	49	18	052300650	25A	14				
052100100	12	5	052300650	35	9				
052100110	40	24	052300700	29	18				
052100110	41	25	052300750	30A	8				
052100110	41	25	052300750	30A	8				

77. CODE NO. INDEX

CODE NO.		SECTION NO.	REF. NO.	CODE NO.	SECTION NO.	REF. NO.	CODE NO.	SECTION NO.	REF. NO.
064500030	72	08	7	110406190	08	12	120116070	10	9
064500030	72	06	7	110506061	06	50	120166082	06	9
064600010	27	06	6	110506190	06	50	120176082	06	8
64600010	27A	05	6	110706390	05	37	120176221	06	8
64600010	47	05	61	110766010	05	18	120186020	06	12
64600016	30	05	44	110766140	05	18	120186020	06	14
64600016	30A	05	32	110996150	05	19	120226010	06	11
600016	34	08	2	110996420	08	1	120266280	10	1
600016	35	05	36	110996450	05	36	120276020	10	7
600016	35	06	51	110996460	06	51	120306011	06	18
64600016	38	06	1	111016470	06	1	120356011	06	16
64609002	25	06	26	111016510	06	17	120356060	06	17
64609002	25A	06	26	111016720	06	1	120406040	06	10
64700012	30	05	46	111136020	05	32	120460900	14B	24
64700012	31	05	31	111136200	05	31	120460920	14B	24
64700012	42	05	58	111136270	05	58	120530070	14B	32
65609002	47	05	70	111136280	05	57	120530070	14B	32
68109032	06	06	62	111146732	06	24	130306061	14B	21
68110280	05	15	15	111146782	06	24	130326120	14B	20
68122025	20	29	29	111146800	06	24	130326120	14B	20
68128710	54	4	4	111146810	06	61	130340090	14B	1
68209026	12	16	16	111206230	06	48	130340100	14B	1
68209029	12	17	17	111216310	06	48	130366050	14B	1
68209041	12	17	17	111996230	06	49	130436020	14B	2
68209044	05	54	54	115016470	08	47	130446010	14B	3
68209059	12	29	29	115016480	08	47	130446030	14B	3
68209097	12	16	16	115016580	08	47	130446040	14B	3
680109023	08	24	24	115026021	08	25	130446080	14B	4
680220642	08	24	24	115026160	08	25	130506020	14B	50
690101317	70	9	9	115106821	08	31	130506121	14A	38
690101924	70	11	11	115106821	08	31	130516011	14B	52
690109005	70	12	12	115107071	08	31	130516012	14B	53
691101719	70	6	6	115176032	08	27	130516016	14B	56
692409000	70	15	15	115256300	08	1	130516015	14B	54
93100150	70	8	8	115256390	08	1	130516016	14B	55
93300001	70	5	5	115256482	08	3	130516018	14B	55
110106590	05	1	1	115276090	08	3	130516018	14B	55
110106610	05	1	1	115317290	08	30	131016741	12	1
110106850	05	1	1	115317300	08	30	131016741	14B	0
110136070	06	3	34	115326071	08	32	131016840	14B	0
110136080	06	2	2	115326210	08	32	131016840	14B	0
110146061	06	6	6	115356380	08	17	131017230	14A	00
110146062	06	6	6	115376020	08	18	131017230	14A	00
110156070	08	38	38	115396230	08	21	131116140	14A	13
110156020	08	37	37	115416130	08	18	131116330	14B	15
110156040	08	34	34	115416130	08	7	131136050	14B	34
110366190	05	40	40	120036180	06	15	131136050	14A	65
				120076020	10	11	131136110	14A	31
							131156070	14A	14

CODE NO.		SECTION NO.	REF. NO.	CODE NO.	SECTION NO.	REF. NO.	CODE NO.	SECTION NO.	REF. NO.
131156130	14B	14	14	131296393	14A	39	131806010	13	13
131176010	14A	15	15	131296433	14A	26	131806010	13A	13
131176010	14B	12	12	131296452	14B	42	131996011	12	2
131176270	14A	7	7	131296462	14B	46	131996040	12	2A
131186020	14B	13	13	131296491	14A	9	135366250	07	29
131196010	14A	17	17	131296501	14A	24	135596090	07	17
131196020	14B	11	11	131296505	14A	35	135596240	06	18
131226040	14B	41	41	131296544	14B	59	135596260	07	35
131236010	14A	23	23	131296548	14A	58	135596270	07	28
131236180	14B	63	63	131296639	14A	37	135616180	06	42
131246010	14A	22	22	131296640	14A	5	135616190	06	45
131246090	14B	24	24	131296641	14A	6	135656020	07	9
131246120	14B	62	62	131296642	14A	11	135756040	07	1
131296002	14A	36	36	131296643	14A	28	135756040	18	0
131296002	14B	32	32	131406220	15	14	135796003	18	4
131296026	14B	7	7	131406220	15	A	135796014	18	13
131296028	14A	1	1	131406230	12	15	135796015	18	14
131296030	14B	20	20	131416060	15	B	135796034	18	1
131296028	14A	18	18	131426010	15	11	135796037	18	3
131296039	14B	43	43	131426020	14A	16	135796038	18	7
131296061	14A	18	18	131426040	14B	64	135796039	18	8
131296061	14B	4	4	131426080	14A	27	135796043	18	11
131296130	14B	37	37	131426150	15	12	135796044	18	15
131296130	14B	32	32	131426170	14B	61	135796051	18	16
131296133	14B	40	40	131437170	15	6	135796052	18	17
131296133	14B	40	40	131446001	15	8	135796053	18	18
131296135	14B	40	40	131446003	15	9	135796054	18	19
131296136	14B	40	40	131446006	15	3	135796055	18	20
131296183	14A	30	30	131446034	15	5	135796056	18	21
131296222	14B	8	8	131446035	15	7	135796057	18	26
131296235	14A	34	34	131446038	15	2	135796058	18	27
131296235	14B	16	16	131446038	15	2	135996130	07	7
131296239	14B	35	35	131446038	15	2	135996140	07	2
131296240	14B	39	39	131506550	12	19	135996270	06	56
131296242	14B	29	29	131506560	12	20	135996280	06	34
131296243	14B	47	47	131506570	12	21	135996290	07	36
131296244	14B	5	5	131506580	12	21	140016090	11	1
131296250	14B	27	27	131506580	12	22	140036100	11	15
131296255	14A	2	2	131506750	12	19	140126062	11	6
131296255	14A	33	33	131506760	12	20	140126160	11	3
131296255	14B	17	17	131506770	12	21	140126170	11	2
131296255	14B	19	19	131506780	12	22	140406210	11	9
131296258	14B	44	44	131716040	12	3	140426041	11	13
131296259	14B	45	45	131726030	12	10	140516090	11	20
131296260	14A	25	25	131726050	12	11	140516090	70	20
131296296	14B	38	38	131736020	12	10	140516140	11	20
131296303	14B	6	6	131736060	12	11	140516140	70	20



77. CODE NO. INDEX

CODE NO.		SECTION NO.	REF. NO.	CODE NO.	SECTION NO.	REF. NO.	CODE NO.	SECTION NO.	REF. NO.	CODE NO.	SECTION NO.	REF. NO.
140526051	11	09	21	165316120	09	13	185846010	08	40	199266070	08	40
140526060	11	09	21	165326040	09	2	185846077	08	39	199280160	08	39
140536090	11	24	15	140536020	09	15	185846174	08	40	199280370	08	40
140606020	11	18	16	165366040	09	16	185846176	08	39	199280470	08	39
140606030	11	16	16	165366050	09	17	185846177	08	40	199280480	08	40
140606121	05	51	16	165416230	08	9	185846178	08	39	199280490	08	39
140606140	05	47	16	165456020	09	11	185846179	08	40	199280510	08	40
140606391	07	22	7	185846180	16	14	185846180	08	28	199280510	08	28
140606420	07	22	13	185846182	16	15	185846182	08	28	199280520	08	28
140996040	11	14	14	165996031	13	2	185846183	08	28	199280520	08	28
140996070	05	52	2	165996031	13A	2	185846185	05	4	199280530	05	4
140996080	05	48	27	165996110	13	27	185846186	05	4	199280540	05	4
140996090	11	22	20	165996110	13A	20	185846188	08	28	199280540	08	28
145116040	10	15	25	165996280	13	6	185846189	08	39	199280550	08	39
145126010	10	21	6	165996290	13A	6	185866070	08	39	199280550	08	39
145146030	10	24	11	175456010	07	10	195658010	08	39	199280550	08	39
145156010	10	16	12	175606071	07	12	198116160	08	39	199280600	08	39
145216040	06	27	19	185046150	13	19	198216440	08	39	199280600	08	39
145226010	06	28	23	185046150	13A	23	198343170	08	39	199280610	08	39
145226110	06	58	0	185046150	17	0	185046150	08	39	199280610	08	39
145306230	10	28	42	185086141	05	42	198346080	08	39	199280610	08	39
145306250	10	28	0	185086141	16	0	198416070	08	39	199280620	08	39
145336332	10	17	25	185246050	05	26	198416070	08	39	199280620	08	39
145536120	06	34	27	185366080	12	27	198446070	08	39	199280620	08	39
145546060	03	3	27	185366090	12	27	198486070	08	39	199280620	08	39
14596030	06	30	30	185416210	16	5	198486370	08	39	199280620	08	39
145996160	10	26	10	185416220	16	10	198486370	08	39	199280620	08	39
145996210	06	31	5	185416340	17	5	198486380	08	39	199280620	08	39
165016350	13A	4	11	185426090	17	11	198486390	08	39	199280620	08	39
165026050	09	21	16	185446151	17	13	198486390	08	39	199280620	08	39
165036020	09	1	15	185446169	17	16	198486650	08	39	199280620	08	39
165036060	09	1	12	185446178	17	12	198486650	08	39	199280620	08	39
165156070	13A	1	1	185446191	17	1	198486690	07	20A	199280620	08	39
165156070	13A	1	3	185446192	17	3	198486690	07	20A	199280620	08	39
165206010	13	26	4	185446193	17	4	198486690	08	26	199280620	08	39
165206010	13A	19	7	185446194	17	7	198486690	08	26	199280620	08	39
165206010	13A	24	6	185446195	17	6	198486690	08	26	199280620	08	39
165206260	13A	9	25	185516030	04	25	198486690	08	26	199280620	08	39
165266021	13A	16	20	185516030	05	20	198486690	08	26	199280620	08	39
165266021	13A	16	24	185706220	13	24	198486690	08	26	199280620	08	39
165296021	13	15	16	185706220	13A	16	198486690	08	26	199280620	08	39
165296021	13A	15	22	185726190	13	22	198486690	08	26	199280620	08	39
165316091	09	13	25	185726190	13A	25	198486690	08	26	199280620	08	39
			16	185816070	16	16	198486690	08	26	199280620	08	39

CODE NO.		SECTION NO.	REF. NO.	CODE NO.	SECTION NO.	REF. NO.	CODE NO.	SECTION NO.	REF. NO.	CODE NO.	SECTION NO.	REF. NO.
198516680	08	40	199266070	08	40	199266070	08	40	199266070	08	40	
198516770	08	39	199280160	08	39	199280160	08	39	199280160	08	39	
198516770	08	40	199280370	08	40	199280370	08	40	199280370	08	40	
198516780	08	39	199280470	08	39	199280470	08	39	199280470	08	39	
198516780	08	40	199280480	08	40	199280480	08	40	199280480	08	40	
198516790	08	39	199280490	08	39	199280490	08	39	199280490	08	39	
198516860	08	28	199280510	08	28	199280510	08	28	199280510	08	28	
198516884	08	28	199280520	08	28	199280520	08	28	199280520	08	28	
198516887	08	28	199280520	08	28	199280520	08	28	199280520	08	28	
198516900	05	4	199280530	05	4	199280530	05	4	199280530	05	4	
198516904	05	4	199280540	05	4	199280540	05	4	199280540	05	4	
198516907	08	4	199280540	08	4	199280540	08	4	199280540	08	4	
198516910	08	39	199280550	08	39	199280550	08	39	199280550	08	39	
198516914	08	39	199280550	08	39	199280550	08	39	199280550	08	39	
198517150	08	39	199280550	08	39	199280550	08	39	199280550	08	39	
198517154	08	39	199280600	08	39	199280600	08	39	199280600	08	39	
198517157	08	39	199280600	08	39	199280600	08	39	199280600	08	39	
198636040	13	5	199280600	13	5	199280600	13	5	199280600	13	5	
198636040	13A	5	199280600	13A	5	199280600	13A	5	199280600	13A	5	
198636050	08	14	199280610	08	14	199280610	08	14	199280610	08	14	
198736081	05	14	199280610	05	14	199280610	05	14	199280610	05	14	
198756010	12	30	199280610	12	30	199280610	12	30	199280610	12	30	
198756060	01	4	199280610	01	4	199280610	01	4	199280610	01	4	
198756060	07	16	199280610	07	16	199280610	07	16	199280610	07	16	
198756090	03	21	199280610	03	21	199280610	03	21	199280610	03	21	
198756090	04	7	199280620	04	7	199280620	04	7	199280620	04	7	
198756090	07	18	199280620	07	18	199280620	07	18	199280620	07	18	
198996020	10	13	199280620	10	13	199280620	10	13	199280620	10	13	
198996020	06	53	199280620	06	53	199280620	06	53	199280620	06	53	
199106020	12	24	199280620	12	24	199280620	12	24	199280620	12	24	
199116010	13	12	199280620	13	12	199280620	13	12	199280620	13	12	
199116080	07	32	199280620	07	32	199280620	07	32	199280620	07	32	
199116160	32	26	199280620	32	26	199280620	32	26	199280620	32	26	
199116160	47	52	199280620	47	52	199280620	47	52	199280620	47	52	
199216030	10	6	199280620	10	6	199280620	10	6	199280620	10	6	
199216080	05	7	199280620	05	7	199280620	05	7	199280620	05	7	
199236090	10	4	199280620	10	4	199280620	10	4	199280620	10	4	
199236090	08	8	199280620	08	8	199280620	08	8	199280620	08	8	
199260020	09	25	199280620	09	25	199280620	09	25	199280620	09	25	
199260030	09	10	199280620	09	10	199280620	09	10	199280620	09	10	
199260040	31	16	199280620	31	16	199280620	31	16	199280620	31	16	
199260050	31A	25	199280620	31A	25	199280620	31A	25	199280620	31A	25	
199260070	40	3	199280620	40	3	199280620	40	3	199280620	40	3	
199260070	41	3	199280620	41	3	199280620	41	3	199280620	41	3	
199260070	42	3	199280620	42	3	199280620	42	3	199280620	42	3	
199260070	42A	3	199280620	42A	3	199280620	42A	3	199280620	42A	3	
199266060	08	41	199280620	08	41	199280620	08	41	199280620	08	41	

77. CODE NO. INDEX



CODE NO.	SECTION NO.	REF. NO.	CODE NO.	SECTION NO.	REF. NO.	CODE NO.	SECTION NO.	REF. NO.
314010370	19A	2	320400150	33	20	322050120	45	1
314010460	19A	2	320400160	33	19	322050391	31	15
314010461	19A	1	320400230	33	20	322050470	45	1
314010660	19A	16	320450140	33	23	322110571	31A	11
314010670	19A	1	320460360	33	1	322111200	41	36
314010700	19	1	320460370	33	2	322111220	42	36
314010710	19	2	320460380	33	3	322111240	42A	36
314100250	19	3	320460390	33	4	322140540	43	13
314100470	19	3	320460400	33	5	322200140	43	33
314140420	19	5	320460410	33	6	322210560	39	21
314140491	19A	3	320460420	33	7	322210560	40	37
314200280	19A	17	320460430	33	8	322210570	39	17
314400200	19A	21	320460440	33	13	322210610	35	22
314410120	19	6	320460450	33	16	322210870	30A	29
314410110	19A	4	320460460	33	18	322210880	30A	29
314410120	19A	22	320460470	33	12	322260111	32	43
314500280	01	1	320460490	33	14	322260120	43	6
314500290	01	8-14	320460640	33	9	322280060	43	36
314531022	01	11	320460650	33	10	322320381	36	5
314531023	01	8	320493014	50	17	322320381	36A	5
314531024	01	9	320990051	32	8	322320381	37	7
314531025	01	10	322011240	28	10	322320400	36	17
314531026	01	16	322011370	30	22	322320400	36A	17
314531027	01	13	322011380	30	13	322320410	36	18
314531028	01	14	322011390	30	21	322320410	36A	18
314540250	01	15	322011400	31	7	322320430	36	12
314540290	01	3	322011410	31A	5	322320430	37	42
314600170	22	34	322011420	31	4	322320440	36	11
314990012	06	46	322011430	34	1	322320440	36A	11
314990012	19	16	322011520	29	15	322320440	37	41
314990012	19A	18	322011531	38	1	322320450	43	28
320010310	32	1	322011532	38	1	322320450	43	28
320040210	32	19	322011542	38	1	322320470	43	30
320040270	33	22	322012360	31A	7	322320480	43	3
320040370	33	19	322012370	31A	3	322320490	43	25
320040370	33	21	322012380	30A	6	322320550	40	12
320170310	42	56	322012390	30A	17	322320550	42	12
320170540	41	56	322012400	30A	16	322320561	42A	12
320170540	42A	56	322012410	34A	1	322321250	36	19
320180061	32	15	322012420	35	4	322321260	36A	13
320180350	32	15	322030020	45	4	322321260	36	13
320190220	42	41	322030120	36	20	322321260	36A	13
320190260	41	41	322030120	36A	20	322322030	43	3
320190260	42A	41	322030150	31A	12	322322040	43	25
320200210	32	4	322030150	31A	15	322322050	36	5
320260030	32	3	322031360	37	38	322322050	36A	5
320310080	32	17	322031370	37	20	322322050	37	7

CODE NO.	SECTION NO.	REF. NO.	CODE NO.	SECTION NO.	REF. NO.	CODE NO.	SECTION NO.	REF. NO.
322322700	37	43	322511550	36A	1	324100650	42	26
322322730	37	34	322511560	41	55	324100650	42A	26
322322740	37	13	322511560	42A	55	324100660	34	25
322322750	37	33	322511570	41	38	324100660	34A	25
322322760	37	12	322511570	42A	38	324100660	35	25
322322810	41	37	322520102	36	28	324100680	44	31
322322810	42A	37	322520112	36	34	324180400	56	10
322340220	36	31	322520440	37	31	324200130	40	23
322340233	36	31	322520450	36A	34	324200130	41	24
322340233	36	32	322520450	37	47	324200130	42	24
322340233	36A	32	322520460	36A	28	324200130	42A	24
322340243	36	37	322530191	36	6	324200330	44	35
322340243	36A	37	322530191	36A	6	324200340	44	33
322340251	43	17	322530201	36	9	324300172	43	40
322340261	40	14	322530220	40	16	324300182	43	39
322340261	42	15	322530220	41	59	324300220	42	32
322340830	42	15	322530220	42	59	324300350	40	33
322341160	41	15	322530220	42A	59	324300451	41	32
322341160	42A	15	322530850	37	10	324300470	40	33
322341170	42A	14	322530860	37	10	324300470	42A	32
322341170	42A	14	322560051	36	24	324310350	34	15
322360250	36	36	322560051	36A	24	324310360	34	16
322360250	36A	36	322570071	36	7	324310360	34A	16
322360260	43	18	322570071	36	7	324310371	34	17
322370760	37	24	322570080	43	24	324310371	34A	17
322380170	40	15	322570430	37	9	324310381	34	18
322380170	42	20	322570430	36A	7	324310381	34A	18
322380560	42	21	322610070	31	50	324311820	35	18
322380880	37	35	322610070	42	53	324311820	35	16
322380890	37	15	322610090	39	11	324311850	35	15
322380900	37	14	322610090	41	12	324320130	34	14
322380990	41	21	322610250	31A	37	324320130	34A	14
322380990	42A	21	322610250	41	53	324320130	35	14
322410060	37	22	322610250	42A	53	324320460	35	9
322420040	37	23	322610790	37	17	324350010	44	32
322500230	43	1	322610800	37	37	324350010	44	36
322500230	43	1	322610800	39	20	324360010	34	10
322500590	36A	2	322990360	39	20	324410301	43	42
322500600	37	4	322990360	40	38	324410302	34	10
322500610	36A	2	322990360	39	18	324410302	34A	10
322500620	37	4	322990340	43	15	324410302	35	10
322510181	36	1	322990350	41	46	324410302	43	42
322510191	36	2	322990350	42	46	324410311	34	11
322510220	42	38	322990350	42A	46	324410311	34A	11
322510960	36	2	322990370	30	32	324410321	34	12
322511511	30A	20	322990760	35	56	324410321	34A	12
322511530	37	1	324100650	40	25	324410331	34	13
322511530	37	1	324100650	41	26	324410331	34A	13

77. CODE NO. INDEX



BINDER NO.		SUPPLEMENT NO.		No. 7 - AUGUST, 1968	
IS P 3 0 2					
CODE NO.	SECTION NO.	REF. NO.	CODE NO.	SECTION NO.	REF. NO.
324410331	35	13	326130350	31A	18
324410331	43	41	326130360	31A	24
324410342	40	33	326140041	31	22
324410342	41	29	326140090	45	27
324410342	42	29	326140100	45	10
324410342	42A	29	326140101	45	25
324411290	35	11	326140260	31A	13
324411300	35	12	326160041	31	34
324560040	44	34	326170020	45	7
324560040	34A	19	326210141	31	40
324560040	35	19	326210600	46	17
324560040	43	45	326210600	46A	18
324600081	44	4	326210610	46	1
324610120	34	30	326210610	46A	18
324610120	34A	30	326210800	30A	5
324610120	35	30	326220070	45	22
324610350	44	53	326220080	45	24
324710290	34	24	326240061	30	23
324710290	34A	24	326240350	30A	12
324710340	40	22	326240360	30A	21
324710340	41	23	326300520	46	7
324710340	42	23	326310532	30	25
324710340	42A	23	326310880	30A	30
324710520	35	24	326310890	46A	7
324910020	51A	52	326340640	46	1
324990060	34	39	326340930	30A	1
324990060	34A	39	326340940	30A	2
324990070	44	54	326360200	46	3
324990070	51	38	326360200	46A	3
324990080	44	3	326370120	30	26
324990080	40	35	326370390	46A	11
324990090	41	34	326370390	46A	11
324990090	42	34	326370520	30A	25
324990090	42A	34	326370520	30A	7
324990190	35	39	326370651	28	21
326020710	30	7	326370651	29	4
326020720	30	1	326370661	28	22
326020990	46A	1	326370661	28	22
326021000	46A	57	326370880	30A	9
326110140	45	5	326380060	28	38
326110150	31	51	326380060	29	38
326110480	31A	19	326380060	28	30
326110580	45	5	326380060	28	30
326130101	45	9	326380060	28	30
326130111	45	8	326380060	28	30
326130280	31	25	326380060	28	30
326130280	31	25	326380060	28	30

(1 - 330)

BINDER NO.		SUPPLEMENT NO.		No. 7 - AUGUST, 1968	
IS P 3 0 2					
CODE NO.	SECTION NO.	REF. NO.	CODE NO.	SECTION NO.	REF. NO.
334010314	25A	0	334292022	25	39
334010350	23	1	334292022	25A	39
334080350	47	1A	334292023	25	40
334260530	25	46	334292023	25A	40
334290530	25A	46	334292025	25	48
334290570	23	18	334292025	25A	48
334291010	25	2	334292026	25	50
334291010	25A	2	334292026	25A	50
334291020	25	3	334292027	25	49
334291020	25A	3	334292027	25A	49
334291030	25	4	334292028	25	36
334291030	25A	4	334292028	25A	36
334291040	25	5	334292029	25	34
334291040	25A	5	334292029	25A	34
334291050	25	6	334292030	25	59
334291050	25A	6	334292030	25A	59
334291070	25	8	334292031	25	52
334291070	25A	8	334292031	25A	52
334291090	25	13	334292032	25	54
334291090	25A	13	334292032	25A	54
334291110	25	17	334292033	25	47
334291110	25A	17	334292033	25A	47
334291120	25	19	334292034	25	31
334291120	25A	19	334292034	25A	31
334291130	25	19	334292062	24	9
334291130	25A	19	334292062	24	9
334291140	25	20	334292086	25	33
334291140	25A	20	334292086	25A	33
334291160	25	22	334292089	23	3
334291160	25A	22	334292089	23	3
334291160	25	22	334292090	23	9
334291160	25A	22	334292090	23	9
334291200	25	57	334292091	23	10
334291200	25A	57	334292091	23	10
334291280	25	37	334292092	23	11
334291280	25A	37	334292092	23	11
334291280	25	37	334292094	23	17
334291280	25A	37	334292094	23	17
334291320	25	28	334292095	23	12
334291320	25A	28	334292095	23	12
334291330	25	30	334292096	23	5
334291330	25A	30	334292096	23	5
334291330	25	30	334292097	23	13
334291330	25A	30	334292097	23	13
334291350	25	29	334292099	23	6
334291350	25A	29	334292099	23	6
334291350	25	31	334292101	23	7
334291350	25A	31	334292101	23	7
334291350	25	32	334292102	23	14
334291350	25A	32	334292102	23	14
334291360	25	32	334292103	23	19
334291360	25A	32	334292103	23	19
334291360	25	32	334292104	23	15
334291360	25A	32	334292104	23	15
334291370	25	27	334292106	23	16
334291370	25A	27	334292106	23	16
334291370	25	27	334292107	23	8
334291370	25A	27	334292107	23	8
334291390	25	42	334292115	25	38
334291390	25A	42	334292115	25A	38
334292016	25	7	334292116	25	60
334292016	25A	7	334292116	25	60
334292018	25	25	334292119	25	1
334292018	25A	25	334292119	25A	1
334292019	25	23	334292120	25	10
334292019	25A	23	334292120	25A	10



77. CODE NO. INDEX

CODE NO.		SECTION NO.	REF. NO.	CODE NO.	SECTION NO.	REF. NO.	CODE NO.	SECTION NO.	REF. NO.
33480110	30A	63	49	336131120	63	4	340293007	50	9
33480120	26	63	3	336131310	63	27	340293008	50	10
33480120	30	63	50	336160010	63	21	340293009	50	11
33480120	30A	63	48	336160010	63	21	340293010	50	13
33480180	24	63	3	336160040	63	22	340293011	50	14
33480190	24	63	3	336160040	63	22	340293012	50	15
334810010	26	63	6	336170010	63	6	340293013	50	16
334810050	26	63	6	336180030	63	7	340293015	50	18
334810050	30	63	52	336190158	63	16	340293016	50	19
334810050	30A	63	50	336190158	63	16	340293017	50	20
334810060	26	63	53	340010720	49	3	340293018	50	21
334810060	30	63	53	340010720	50	22	340293019	50	22
334810060	30A	63	51	340010951	48	6	340293020	50	23
334810080	24	63	5	340011180	72	1	340293021	50	24
334810100	24	63	19	340011180	74	1	340293022	50	25
334810130	26	63	24	340011190	72	1	340293023	50	26
334810130	30	63	65	340011190	74	1	340293024	50	27
334810140	30A	63	42	340011200	72	1	340293025	50	28
336012220	63	10	10	340011200	73	1	340293026	50	29
336012230	63	11	11	340011210	72	1	340293027	50	30
336012750	63	10	64	340011210	73	2	340293028	50	31
336031290	63	25	25	340011380	49	4	340293029	50	35
336031390	63	2	2	340011380	50	33	340293066	74	2
336031600	63	25	25	340011380	50	33	340293067	74	3
336032190	63	1	1	340100831	49	28A	340293068	74	4
336032200	63	2	2	340100841	49	31	340293069	74	5
33607210	63	12	12	340100851	49	37	340293070	74	6
336080140	63	20	20	340101000	72	3	340293071	74	7
336080150	63	28	28	340101050	49	9	340293072	74	8
336080290	63	20	20	340101290	48	14	340293073	74	9
36080340	63	5	5	340101300	48	9	340293074	74	10
36090030	63	15	15	340101300	48	9	340293075	74	11
336100860	63	3	3	340101300	49	6	340293076	74	12
336100890	63	3	3	340200140	49	6	340293077	74	14
336110540	63	14	14	340200150	49	11	340293078	74	16
336120510	63	13	13	340200160	49	22A	340293078	72	16
336120560	63	13	13	340200170	49	23	340293078	74	16
336130070	63	19	19	340200230	49	22	340293078	74	15
336130310	63	17	17	340200230	49	17	340293078	74	15
336130420	63	19	19	340210150	49	50	340293078	49	40
				340250221	49	50	340360100	49	40
				340250230	61	27	340450210	51	1
				340250230	61	27	340450210	51A	1
				340260211	49	27	340450260	27	12
				340270250	61A	28	340450260	27A	12
				340292790	50	34	340460020	27	14
				340292790	50	34	340460020	27A	14
				340293002	50	2	340460050	51	2
				340293003	50	3	340460050	51A	2
				340293004	50	4	340470010	27	13
				340293005	50	5	340470010	27A	13
				340293006	50	8	340490151	51A	32

BINDER NO. 1SP3007

SUPPLEMENT NO. #7 - AUGUST, 1986

(1-331)

CODE NO.		SECTION NO.	REF. NO.	CODE NO.	SECTION NO.	REF. NO.	CODE NO.	SECTION NO.	REF. NO.
340490152	51A	27A	31	340990070	27A	2	350750310	56	4
340490153	51A	42	42	340990150	48	8	350750321	60	3
340490154	51A	54	54	344080220	47	1	350750322	60	3
340490156	51A	49	49	344100330	47	69	350750350	21	9
340490157	51A	41	41	344110240	47	14	350760701	56	10
340500070	27	3	3	344110340	47	14	350760970	56	9
340500070	27A	3	3	344140061	47	15	350760980	56	11
340500230	51	8	8	344200230	49	24	350761180	61	23
340500230	51A	8	8	344200391	47	46	350761180	61A	23
340500330	51A	51	51	344200410	47	39	350800090	59	2
340500330	27A	3	3	344200440	47	45	35080G11	59	21
340560180	51	37	37	344210030	47	59	350850270	56	27
340560180	51A	37	37	344380050	47	28	350850400	04	26
340580021	51	6	6	344600020	49	13	350860740	59	3
340602051	27	15	15	344660030	49	16	350800361	52	40
340602062	27	23	23	344710282	48	12	350700110	60	16
340602072	27	24	24	344760241	47	6	35070110	60	16
340602090	51	20	20	344770051	47	9	350800080	60	17
340602131	51	19	19	344790291	47	43	35080150	60	17
340602420	49	18	18	344810181	47	10	355100881	60	1
340603110	72	24	24	344830270	47	13	355100900	60	2
340603280	27A	24	24	344880152	51	30	355100901	60	2
340603300	27A	23	23	344880283	49	1	355170570	61	2
340603600	51	19	19	344880284	49	1A	355170570	61A	2
340603600	51A	44	44	344950310	30A	61	355170580	61A	3
340604750	51A	44	44	344990090	47	44	355170580	61A	3
340604760	51A	20	20	344990160	48	20	355210080	61	16
340620460	51	11	11	344990200	49	54	355210080	61	16
340620492	27A	33	33	350070243	57	1	355250232	61	1
340620520	51	21	21	350070253	57	1	355250233	61	1
340620520	51A	21	21	350070310	20	1	355250233	61A	1
340620590	51A	11	11	350100420	21	1	355250250	61	7
340630700	51	45	45	350100420	21	1	355250250	61A	7
340630700	51A	45	45	350100580	56	2	355250260	61	8
340650300	27	34	34	350150062	56	3	355250260	61A	8
340650310	27	33	33	350150071	56	3	355350050	46	52
340650310	27	33	33	350150121	56	3	355350050	46A	52
340670640	49	46	46	350200050	53	18	355350061	46	53
340670660	49	46	46	350200061	53	17	355350061	46A	53
340670760	49	36	36	350200091	53	34	355360040	60	21
340670860	27A	36	36	35020101	53	33	355400090	56	13
340670900	27A	35	35	35020120	21	6	355500090	61A	6
340710030	47	51	51	35020120	21	6	355500341	52	42
340990010	27A	20	20	350310420	20	4	355500351	52	41
340990010	27A	20	20	350316330	20	4	355500351	52A	41
340990010	51	3	3	350506421	20	8	355500361	52A	40
340990010	51A	3	3	350506421	20	7	355500361	52A	42
340990070	27	2	2	350510781	22	9	355600342	52	45
340990070	27	2	2				355600342	52A	45

BINDER NO. 1SP3007

SUPPLEMENT NO. #7 - AUGUST, 1986

77. CODE NO. INDEX



77. CODE NO. INDEX



CODE NO.	SECTION NO.	REF. NO.	CODE NO.	SECTION NO.	REF. NO.	CODE NO.	SECTION NO.	REF. NO.
355600352	52	44	370230050	47	47	370230050	68	37
355600352	52A	44	370240051	52	20	370240051	66	30
355610640	52	46	370240051	52A	20	370240051	66	30
355610640	52A	46	370250010	52	19	370250010	66	38
355610650	52	47	370250010	52A	19	370250010	68	38
355610650	52A	47	370300170	27	1	370300170	47	25
355700280	60	18	370400130	27A	1	370400130	66	8
355700280	60A	18	370400130	54	1	370400130	66	8
355740143	60	33	370500360	54	1	370500360	66	19
355740144	60	34	370500360	54	11	370500360	66	19
355740145	60	35	370500370	54	6	370500370	66	13
355740146	60	36	370500370	54	6	370500370	68	13
355740162	60	44	370600310	54	3	370600310	71	4
355740163	60	36	370600310	54	3	370600310	71A	4
355740164	60	33	370600340	54	10	370600340	46	43
355740165	60	34	370600340	54	19	370600340	46A	43
355760741	60	20	370610500	54	23	370610500	66	26
355780030	61	9	370610500	55	12	370610500	68	26
355780030	61A	9	370650420	55	19	370650420	66	45
355780101	61	10	370650440	55	18	370650440	67	2
355780101	61A	10	370670950	55	18	370670950	67	6
355800090	61	6	370700010	55	16	370700010	66	51
358105330	52	7	370700120	55	19	370700120	67	5
358105340	52	16	370700121	55	19	370700121	67	5
358105340	52A	16	370810022	66	1	370810022	66	39
35810720	52	7A	370810022	66	5	370810022	68	39
35810720	52A	7	370010340	66	5	370810022	66	40
358202110	52	1	370010350	66	6	370820021	66	40
358202110	52A	1	370010350	66	6	370820021	66	40
358100740	52	12	370020110	67	1	370900030	47	60
358100740	52A	12	370020110	66	44	370900030	66	29
358130150	52	35	370020310	66	12	370900050	66	11
358130150	52A	35	370050170	66	12	370900050	68	11
358200250	52	5	370050170	66	12	370900110	66	50
358310070	52	30	370070020	66	49	370900110	67	11
358310070	52A	30	370100080	66	2	370900120	46	41
358310080	52	31	370100080	66	2	370900121	46	41
358350100	52	63	370130070	68	43	370900140	47	26
358350100	52A	63	370130070	68	44	370900140	47	26
358350100	52A	63	370140060	68	45	370900180	66	46
358380171	52	27	370200281	66	10	370900180	67	10
358380280	52	27A	370200291	66	10	370900291	71	21
358380280	52A	27	370200291	66	7	370900400	47	34
358460060	52	62	370200291	68	7	370900450	46A	41
358510520	52	18	370200330	66	47	370916200	66	20
358510520	52A	18	370200710	66	3	370916200	68	20
358510540	52	6	370200710	66	3	370916210	66	14
358510540	52A	6	370200720	66	27	370916210	68	14
358510560	52	6A	370200720	66	27	370916221	66	32
358510730	52A	6	370230050	66	37	370916221	68	32

CODE NO.	SECTION NO.	REF. NO.	CODE NO.	SECTION NO.	REF. NO.	CODE NO.	SECTION NO.	REF. NO.
370910291	66	11A	378410890	71A	6	385230040	04	28
370910291	68	11A	385040050	58	1	385230040	53	21
372010040	69	16	385050120	56	16	385230080	57	26
372010040	69	16	385100080	62	11	385250050	22	17
372010170	69	3	385100230	60	29	385280071	54	7
372010180	69	2	385100250	61	11	385350200	58	21
372010190	69	1	385100250	61A	11	385400130	53	24
372010210	69	26	385100330	61	13	385410010	53	25
372010220	69	22	385100401	57	17	385410030	53	25
372010270	69	29	385100480	20	18	385460060	52	62
372010320	69	32	385100500	62	1	385470100	58	2
372110121	69	17	385100571	56	14	385470102	58	4
372110140	69	9	385100580	62	2	385470103	58	5
372110210	69	8	385110020	62	12	385470104	58	6
372110240	69	23	385110150	61	38	385470105	58	7
372110240	69	23	385110150	61A	38	385470106	58	8
372110460	69	33	385110170	60	39	385470107	58	13
372200020	69	30	385110200	61	41	385470108	58	14
378010020	66	53	385110200	62	4	385470113	58	3
378030090	71	0	385110310	62	5	385470118	58	9
378050170	71A	0	385120030	58	12	385470119	58	10
378100720	19	9	385120140	61	14	385470138	58	15
378100731	19	11	385120140	62	3	385500161	56	21
378100820	19	14	385120170	60	30	385501070	56	17
378100871	21	15	385120180	62	13	385550080	56	18
378100920	21	16	385120180	62	4	385560430	71	9
378101170	66	54	385120200	61A	12	385600430	71A	9
378101280	22	36	385120230	58	11	385601650	70	23
378101290	22	38	385120240	56	15	385601930	57	4
378101300	22	38	385140100	61	42	385602820	57	11
37810020	43	16	385140110	61	43	385603100	20	21
378111840	19	10	385140150	62	7	385603150	60	25
378111940	04	14	385200101	57	7	385603370	64	8
378112110	19	12	385200150	34	53	385603541	64	4
378112321	03	9	385200160	32	30	385603551	64	3
378113590	04	15	385200170	52	56	385603561	64	5
378120450	66	55	385200470	51	18	385603571	64	2
378120460	66	56	385200470	51A	18	385603651	64	7
378300662	71	1	385200480	02	9	385603660	64	6
378300672	71	2	385200480	51	17	385603670	64	9
378300680	71	3	385200490	51A	17	385603681	57	13
378300680	71A	3	385200531	57	14	385603691	57	32
378301260	71A	1	385200531	57	14	385603691	57	32
378301270	71A	2	385200610	01	7	385603691	64	12
378303070	71	5	385200610	57	5	385603701	64	1
378330570	71A	5	385201020	57	6	385603702	64	1
378410650	71	6	385210020	57	6	385603703	64	1
378410650	71	6	385210020	57	6	385603910	57	10
378410650	71	6	385210020	57	6	385605410	64	2

77. CODE NO. INDEX

CODE NO.		SECTION NO.	REF. NO.	CODE NO.	SECTION NO.	REF. NO.	CODE NO.	SECTION NO.	REF. NO.	CODE NO.	SECTION NO.	REF. NO.
85605440	57	390170200	12	395230010	70	13	398112310	22	33	396210400	41	30
85605450	57	390170200	10	395360010	70	5	398112330	21	8	396210400	42	30
85605460	64	390170250	7	395480010	70	16	398112350	03	8	396210400	42A	30
85605170	02	390170250	1	395480010	70	17	398112610	22	31	396210400	43	47
85605260	02	390170260	3	395900050	25A	51	398112620	22	31	396210570	52	15
85720070	06	390170260	36	395910020	50	36	398112660	60	43	396210570	52A	15
85750011	57	390170780	15	396110010	32	32	398112710	34	54	396210560	34	28
85800011	57	390170780	9	396110050	03	8	398112750	34	30	396210560	34A	28
85870300	53	390170830	24	396110050	04	8	398113380	34	54	396210580	35	28
85891030	64	390170830	38	396110050	52	43	398113380	34A	54	396210600	43	18
85920151	61	390171150	10	396110050	61	30	398113380	35	54	396210611	59	12
85950101	53	390171160	15	396110110	54	18	398113390	52	43A	396210660	52	57
86660010	54	390191340	8	396110110	56	8	398113390	52A	43	396210660	52A	57
89100410	22	390191360	25	396110110	60	9	398113390	61	30A	396210761	47	27
89200020	02	390191360	2	396110230	62	20	398113390	61A	30	396210830	47	23
89510110	02	390191650	4	396110240	53	2	398130061	30	15	396210880	35	37
89100080	20	390191800	17	396110240	61A	35	398130291	21	2	396211162	44	55
89100100	20	390192420	33	396110250	54	25	398130330	22	6	396211440	66	25
89106110	34	390192420	5	396110250	54	16	398130710	22	37	396211670	22	12
89100110	35	390192470	5	396110501	54	25	398130720	22	37	396211800	59	24
89110510	65A	390192470	5	396110610	34	32	398180060	60	10	396211810	47	19
89112260	65	390192490	5	396110610	34A	32	398180171	59	5	396211830	53	19
89112610	65	390192510	6	396110610	35	32	398180171	72	2	396211850	44	2
89112620	65	390192910	27	396110630	20	10	398180210	34	34	396211860	48	11
89113100	65	390193080	4	396110650	54	12	398180210	34A	34	396211860	51A	53
89113120	65	390193090	3	396110660	02	6	398180210	35	34	396212470	37	21
89113130	65	390193110	5	396110930	02	8	398180331	48	17	396212460	59	12
89113140	65	390193210	4	396111540	23	32	398180331	49	41	396212570	67	13
89113150	65	390193210	2	396111560	56	31	398180360	49	43	396280030	66	15
89113160	65	390210880	3	396111600	59	4	398180430	34	4	396280030	68	15
89113170	65	390210890	2	396111610	22	33	398180430	34A	4	396280310	68	42
89113180	65	390211100	3	396111640	53	15	398210010	20	25	396330160	60	5
89113190	65	390211110	2	396111640	00	23	398210030	51	7	396340080	30	12
89113200	65	390211130	3	396111680	53	8	398210030	51A	7	396340230	51	9
89113210	65	390211300	2	396111810	58	16	398210070	32	7	396340230	51A	9
89114040	65A	390370380	3	396111820	22	5	398210140	59	7	396340240	22	32
89114050	65A	390370640	2	396111830	64	11	398210140	46	31	396340240	53	10
89114060	65A	390370650	1	396112060	52	37	398210140	46A	31	396340320	30A	26
89114070	65A	390370650	2	396112060	52A	37	398210140	38	9	396380060	30	8
89114100	65A	390370950	1	396112140	48	7	398210210	38	9	396400130	30	11
89114110	65A	390430140	2	396112230	52	27	398210290	52	26	396400150	30A	23
89114120	65A	390430150	1	396112270	52	52	398210300	52A	26	396400281	34A	44
89114130	65A	390500100	2	396112270	52A	52	398210300	66	33	396400281	35	44
89114180	65	395110020	15	396112260	52A	51	398210300	68	33	396430060	34	44
891170180	65A	395120020	9	396112260	52A	51	398210360	34	36	396430110	27	8
891170190	65	395160010	14	396112290	02	2	398210460	34A	36	396430110	27A	8
891170190	65A	395220010	8	396112300	21	17	398210460	35	36	3964301360	30	35
							398210460	40	31	396430410	44	59

(1-333)

77. CODE NO. INDEX

CODE NO.	SECTION NO.	見出番号 REF. NO.	CODE NO.	SECTION NO.	REF. NO.	CODE NO.	SECTION NO.	REF. NO.	CODE NO.	SECTION NO.	REF. NO.
398750030	03	7	399230480	43	26	399510170	31	53	498180100	42	27
398750100	01	5	399230490	43	29	399310300	31A	38	498180100	42A	27
398750210	06	39	399230520	42	39	399510310	45	18	498180100	44	42
398750220	02	10	399230530	41	20	399310340	31A	40	599750020	71	10
398750220	06	19	399230540	40	17	399340030	62	18	599750020	71A	10
398750310	55	25	399230830	46	8	399340060	49	42			
398990050	30	10	399230831	46A	8	399340070	49	33			
398990050	30A	24	399230831	46A	8	399340140	63	17			
399100250	27A	25	399231020	36A	22	399340140	63	17			
399100280	51	29	399231030	36	35	399350060	66	9			
399100290	34	46	399231030	36A	35	399350060	68	9			
399100300	49	53	399231170	39	13	399370210	67	8			
399100360	73	3	399232050	47	24	399430190	36	26			
399100460	51	46	399232060	60	24	399430190	37	29			
399100460	51A	46	399232120	49	55	399430500	30	82			
399100610	34A	46	399232400	43	44	399430580	52	64			
399100610	35	46	399232820	31A	30	399430580	52A	64			
399100630	27A	38	399232830	37	44	399430580	61	45			
399110080	20	22	399260090	43	23	399430580	61A	18			
399110160	27	26	399260100	31	58	399560411	52	32			
399110160	27A	26	399260100	31A	14	399560411	52A	32			
399110290	51	26	399260100	45	2	399561220	39	12			
399110290	51A	26	399260270	31	35	399562260	49	10			
399110300	54	17	399260270	45	6	399562600	20	9			
399110340	54	21	399260400	45	11	399562720	52A	66			
399110770	72	10	399260410	28	14	399562940	32	24			
399110770	73	5	399260410	28	13	399563620	47	67			
399111040	47	63	399260480	36	23	399563750	22	24			
399111060	72	9	399261030	29	17	399563790	22	13			
399160150	66	17	399261040	28	27	399563830	49	34			
399160150	68	17	399261040	29	27	399563950	22	39			
399210010	28	32	399261040	29	27	399564050	22	41			
399210010	29	32	399261100	37	25	399564060	22	42			
399210180	28	35	399261210	37	19	399580591	52	58			
399210160	29	35	399280310	66	42	399580591	52A	58			
399210260	69	19	399280590	45	27	399580710	52	13			
399210260	69	19	399280600	45	27	399580710	52A	13			
399210430	46	12	399280610	45	27	399580710	52A	13			
399210550	36	16	399280760	37	51	399610230	36A	40			
399210550	36A	16	399280760	37	52	399610240	52A	22			
399210570	38	13	399280770	37	52	399610240	52A	22			
399210590	03	31	399280970	71A	8	399610730	71	7			
399210620	43	19	399280970	71A	8	399610730	71A	7			
399210750	63	30	399280980	71A	8	399610730	71A	7			
399210780	46A	12	399280980	71A	8	399610910	21	3			
399210940	20	28	399310010	31	30	399730010	66	57			
399211200	47	19	399310030	45	14	498180100	40	27			
399211210	47	23	399310060	45	18	498180100	41	27			



